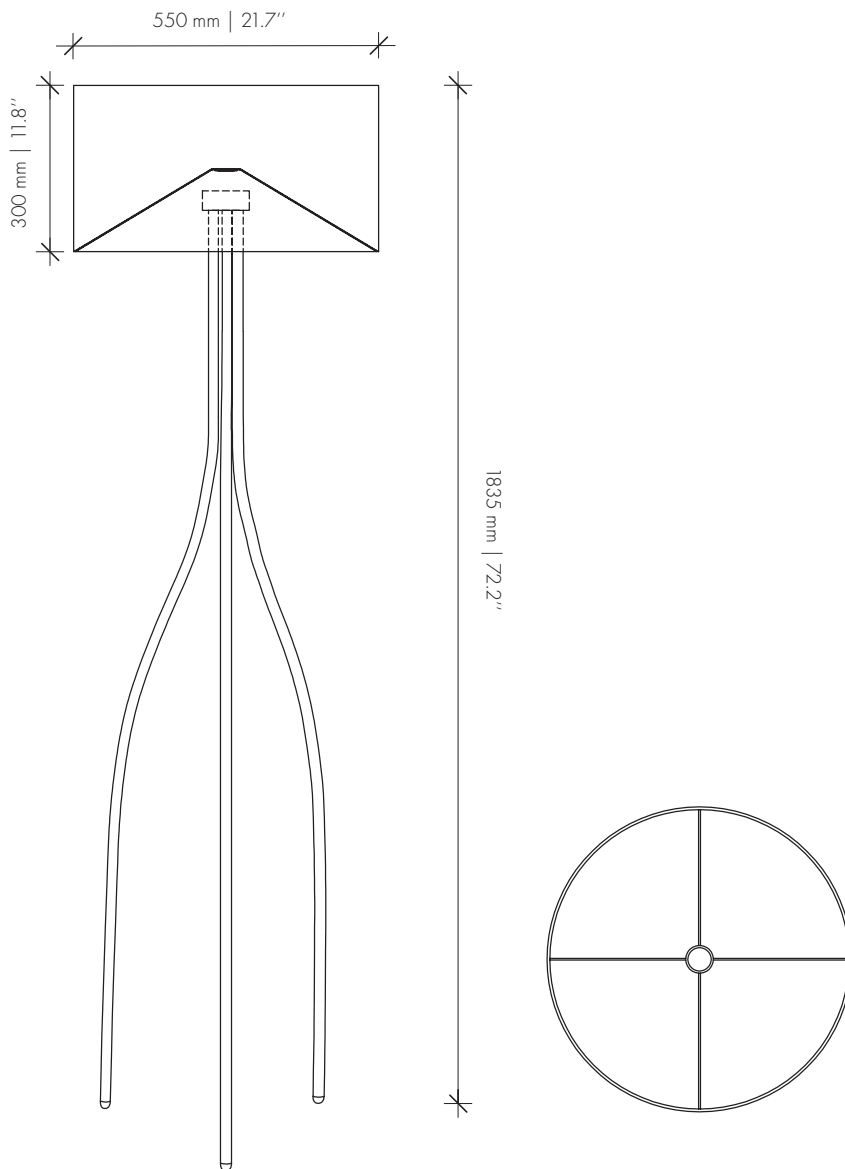


DESIGNED BY OKHA



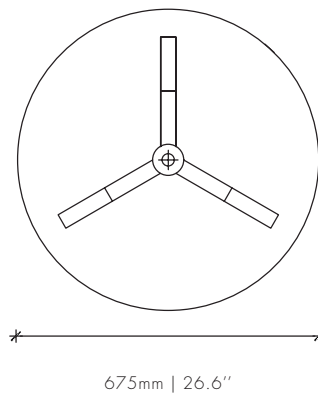
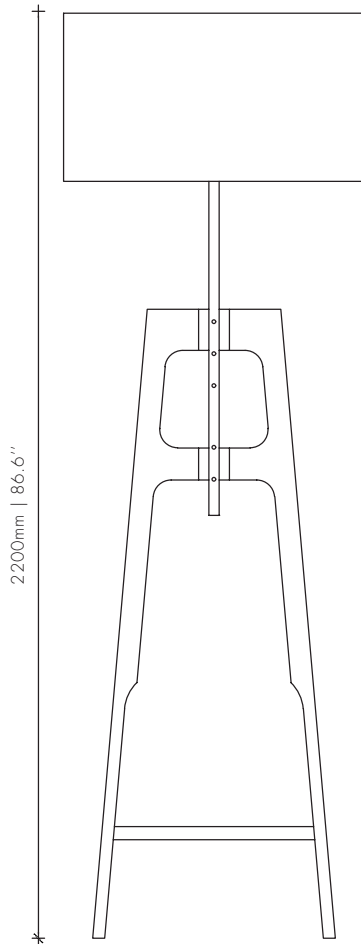
DESCRIPTION

Powdercoated Mild Steel Frame | Cotton / Plain Shade

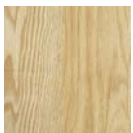
DIMENSIONS

550DIA x 1835H mm | 21.7DIA x 72.2H in - incl. shade

DESIGNED BY ADAM COURT



WOOD OPTIONS



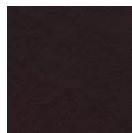
Natural Oak



Carbon Oak



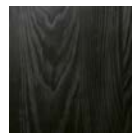
Chalked Oak



Mocca Oak



Natural Ash



Carbon Ash



Walnut

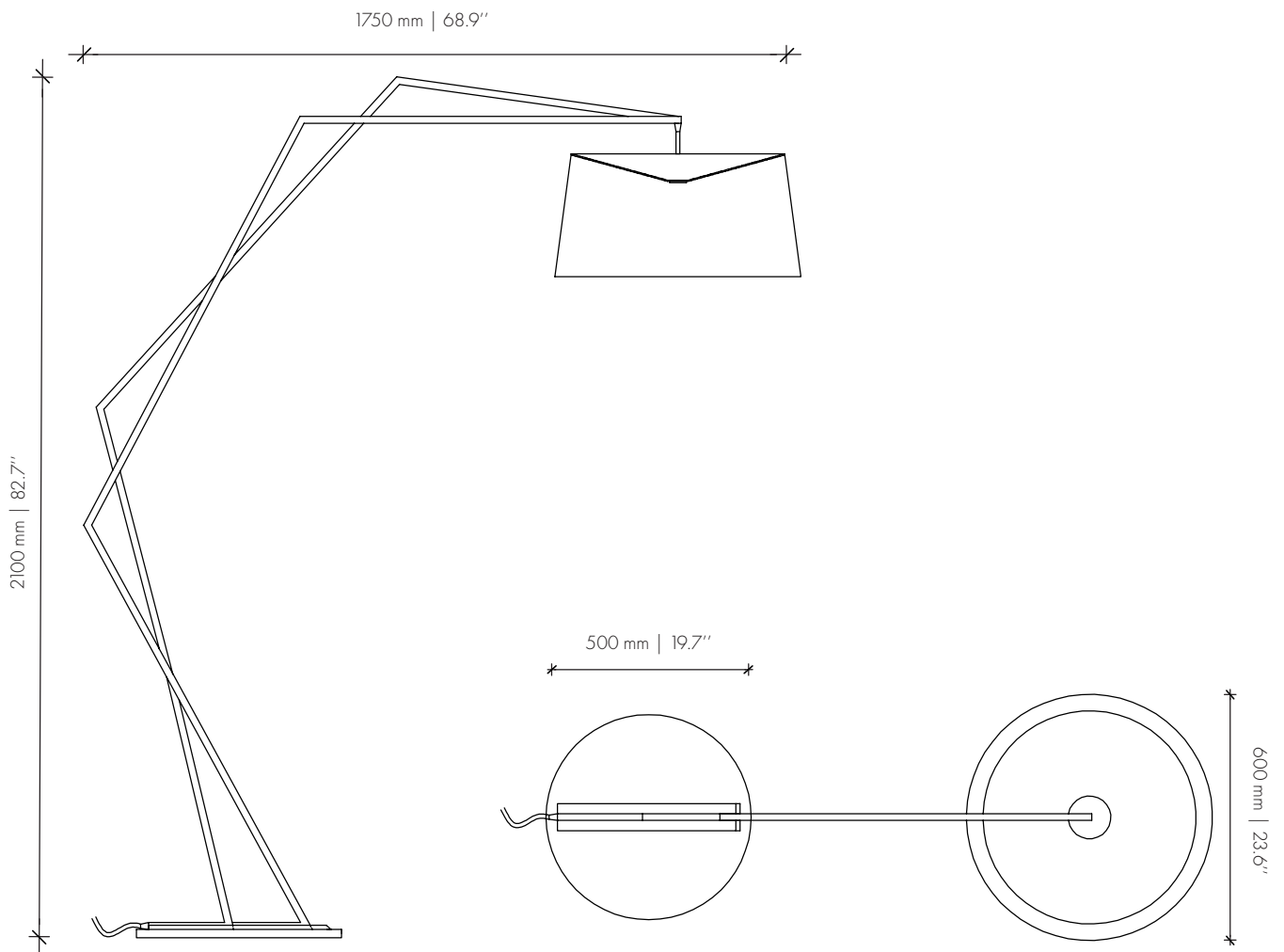
DESCRIPTION

Ash / Oak Base | Cotton / Plain Shade

DIMENSIONS

675DIA x 1900H - 2200H mm | 26.6DIA x 74.8H - 86.6H in - Adjustable height, incl. Shade

DESIGNED BY OKHA



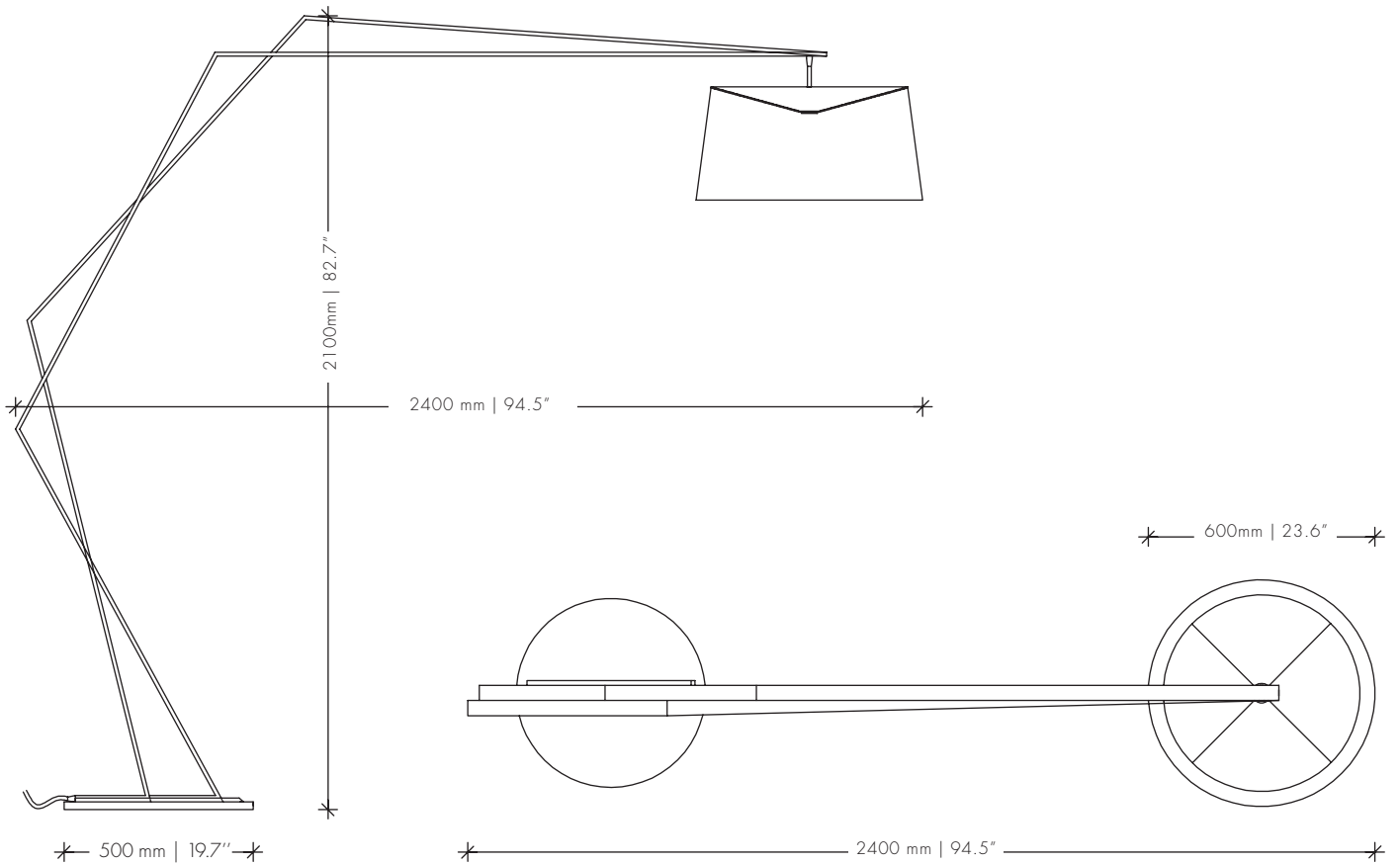
DESCRIPTION

Powdercoated Mild Steel Frame | Cotton Plain / Pleats Shade Options

DIMENSIONS

1750W x 600D x 2100H mm | 68.9W x 23.6D x 82.7H in - incl. shade

DESIGNED BY OKHA

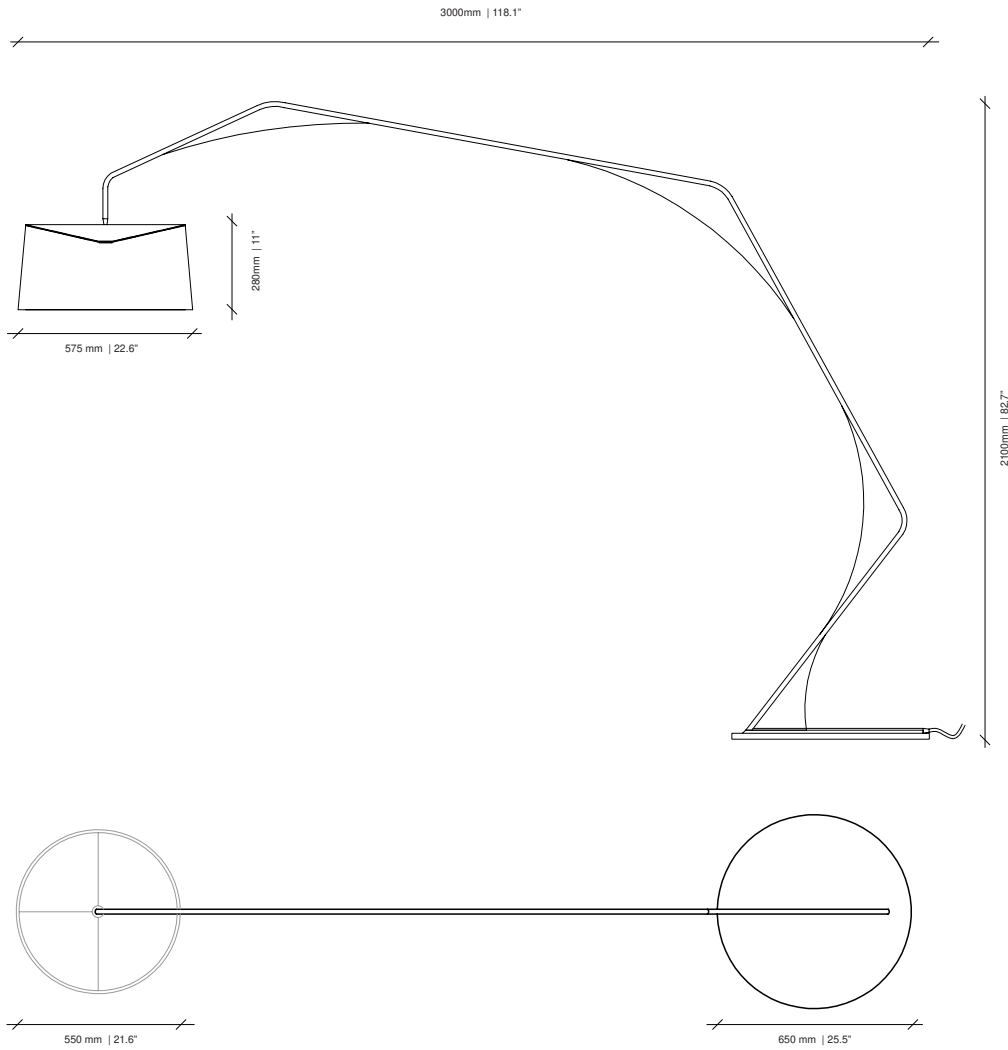


DESCRIPTION

Powdercoated Mild Steel Frame | Cotton / Plain / Pleats Shade Options

DIMENSIONS

2400W x 600D x 2100H mm | 94.5W x 23.6D x 82.7H in - incl. shade



DESCRIPTION

Powdercoated Mild Steel Frame | Cotton / Plain Shade

DIMENSIONS

3000W x 650D x 2100H mm | 118.1W x 25.6D x 82.7H in - Incl. shade

DISCLAIMERS:

METALS - All raw metals; brass, copper, mild steel in their respective finishes are unsealed. Metals in a raw, natural and unsealed state will oxidise and change in colour and tone. This is a completely natural process, therefore all our metal finishes will need to be maintained with an appropriate wax/crème, the application of which will build up a natural sealant over time. **Ferrogain**: a lightly textured matte paint finish.