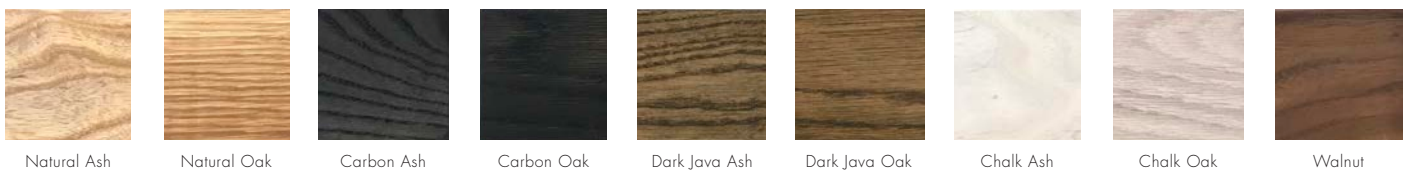


LEATHER OPTIONS | COM AVAILABLE



WOOD OPTIONS



DESCRIPTION

Upholstered | Ash / Oak / Walnut Frame Options

DIMENSIONS

540W x 540D x 980H mm | SEAT HEIGHT: 760 mm | 21.3W x 21.3D x 38.6H in | SEAT HEIGHT: 29.9 in

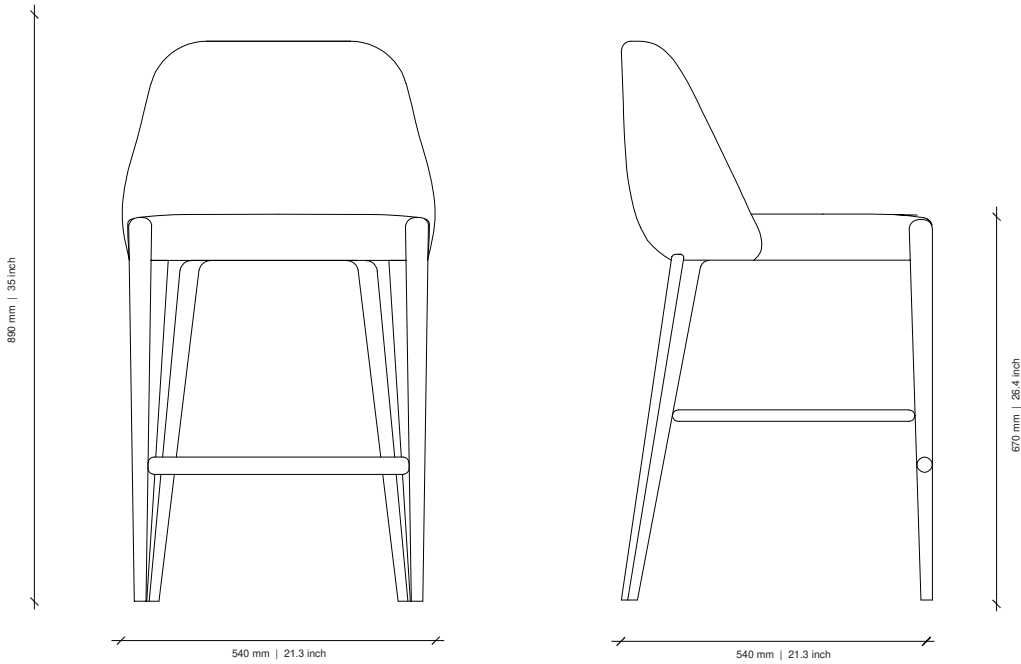
COM/COL

Plain Fabric: 1.6m | 1.7yd

Leather: 3m² | 32.3sq ft

DISCLAIMERS:

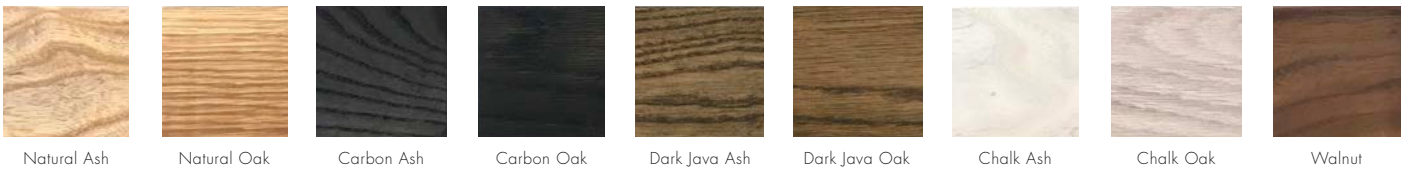
TIMBER - Different textures, grains, colouration and densities are all natural characteristics of timbers. We find these variances an inherent and valuable part of the natural beauty of wood, no two pieces are the same making each OKHA design a unique, characterful piece and each product will be different from the next. Timber movement will also occur as this is a natural product.



LEATHER OPTIONS | COM AVAILABLE



WOOD OPTIONS



DESCRIPTION

Upholstered | Ash / Oak / Walnut Frame Options

DIMENSIONS

530W x 540D x 890H mm | SEAT HEIGHT: 670 mm | 21.3W x 21.3D x 35H in | SEAT HEIGHT: 26.4 in

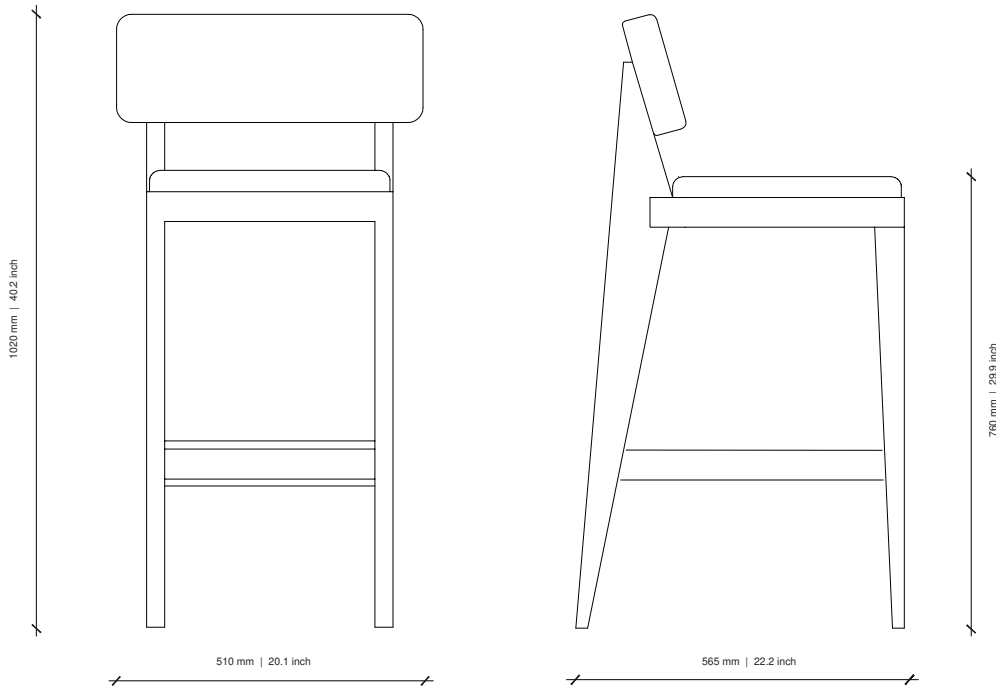
COM/COL

Plain Fabric: 1.6m | 1.7yd

Leather: 3m² | 32.3sq ft

DISCLAIMERS:

TIMBER - Different textures, grains, colouration and densities are all natural characteristics of timbers. We find these variances an inherent and valuable part of the natural beauty of wood, no two pieces are the same making each OKHA design a unique, characterful piece and each product will be different from the next. Timber movement will also occur as this is a natural product.



LEATHER OPTIONS | COM AVAILABLE



WOOD OPTIONS



DESCRIPTION

Upholstered | Ash / Oak / Walnut Frame Options

DIMENSIONS

510W x 565D x 1020H mm | SEAT HEIGHT: 760 mm | 20.1W x 22.2D x 40.2H in | SEAT HEIGHT: 29.9 in

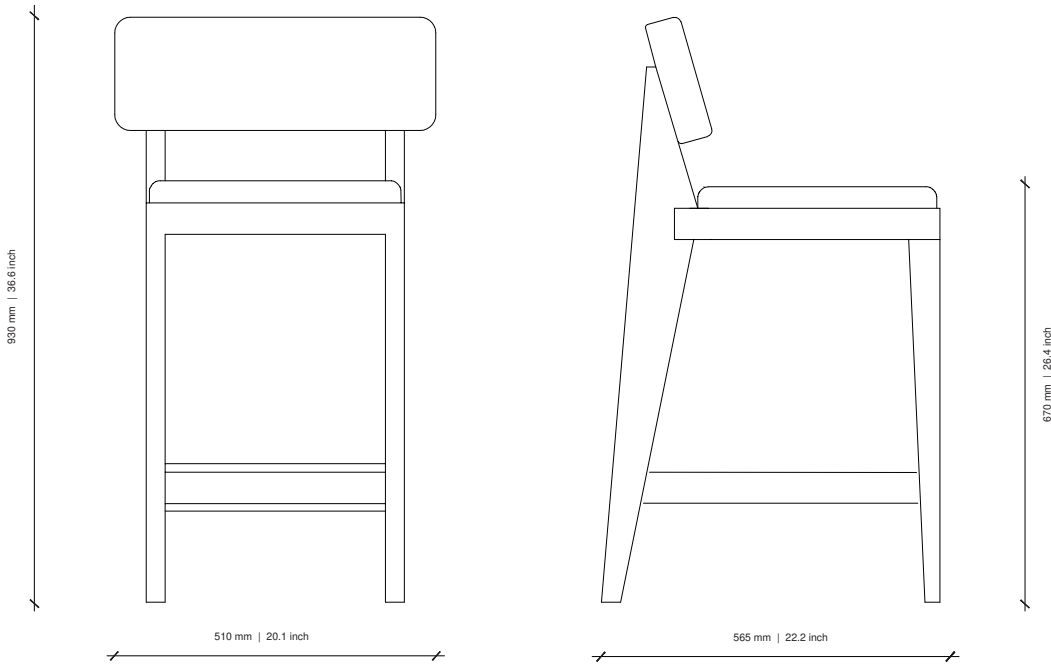
COM/COL

Plain Fabric: 1m | 1yd

Leather: 1.8m² | 19.4sq ft

DISCLAIMERS:

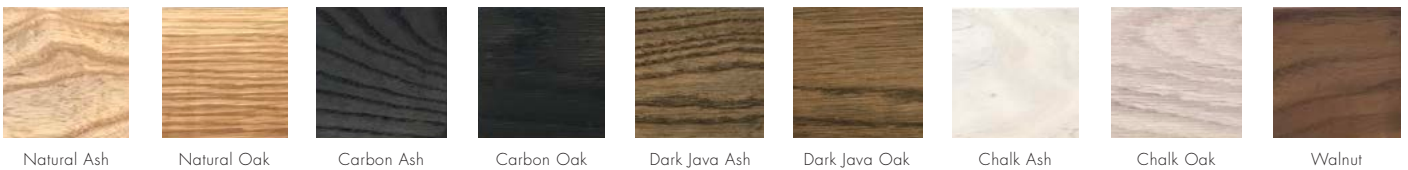
TIMBER - Different textures, grains, colouration and densities are all natural characteristics of timbers. We find these variances an inherent and valuable part of the natural beauty of wood, no two pieces are the same making each OKHA design a unique, characterful piece and each product will be different from the next. Timber movement will also occur as this is a natural product.



LEATHER OPTIONS | COM AVAILABLE



WOOD OPTIONS



DESCRIPTION

Upholstered | Ash / Oak / Walnut Frame Options

DIMENSIONS

510W x 565D x 930H mm | SEAT HEIGHT: 670 mm | 20.1W x 22.2D x 36.6H in | SEAT HEIGHT: 26.4 in

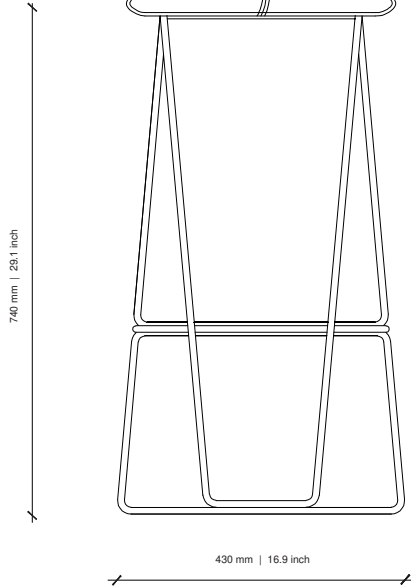
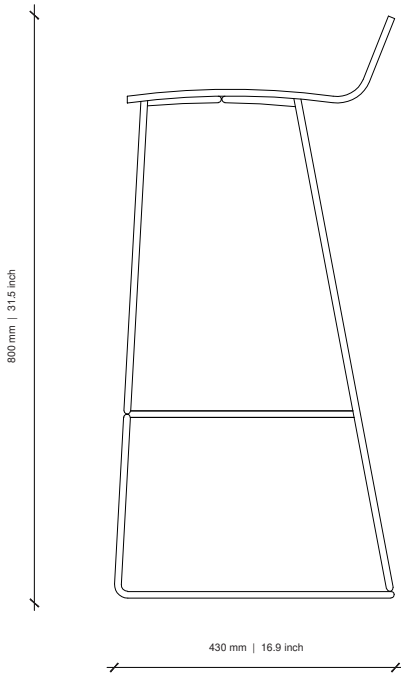
COM/COL

Plain Fabric: 1m | 1yd

Leather: 1.8m² | 19.4sq ft

DISCLAIMERS:

TIMBER - Different textures, grains, colouration and densities are all natural characteristics of timbers. We find these variances an inherent and valuable part of the natural beauty of wood, no two pieces are the same making each OKHA design a unique, characterful piece and each product will be different from the next. Timber movement will also occur as this is a natural product.



LEATHER OPTIONS | COM AVAILABLE



METAL | DUCO



DESCRIPTION

Upholstered | Powdercoated Mild Steel Base

DIMENSIONS

430W x 430D x 800H mm | SEAT HEIGHT: 740 mm | 16.9W x 16.9D x 31.5H in | SEAT HEIGHT: 29.1 in

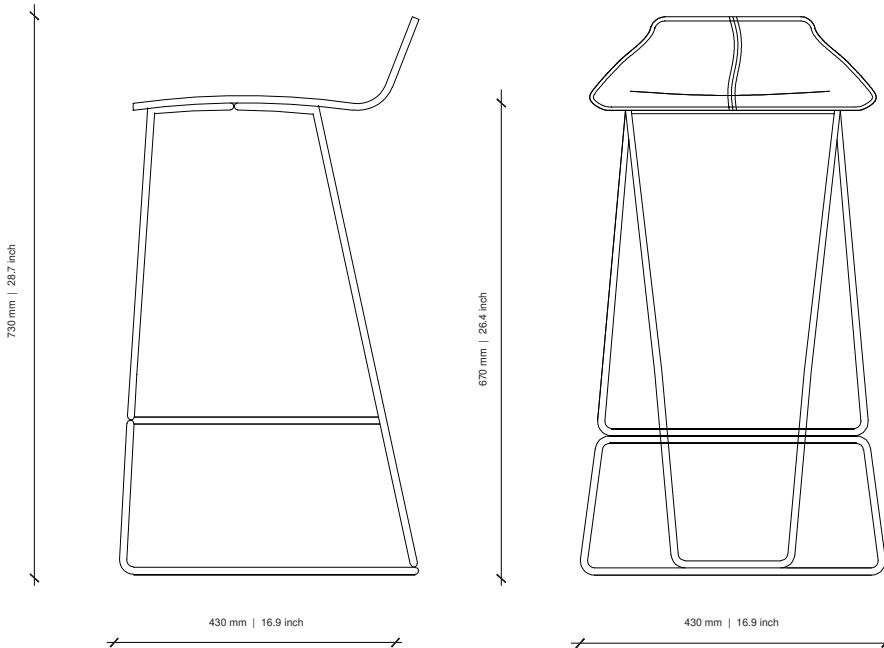
COM/COL

Plain Fabric: 0.5m | 0.55yd

Leather: 0.85m² | 9.2sq ft

DISCLAIMERS:

METALS - All raw metals; brass, copper, mild steel in their respective finishes are unsealed. Metals in a raw, natural and unsealed state will oxidise and change in colour and tone. This is a completely natural process, therefore all our metal finishes will need to be maintained with an appropriate wax/crème, the application of which will build up a natural sealant over time. **Ferrograin**: a lightly textured matte paint finish.



LEATHER OPTIONS | COM AVAILABLE



METAL | DUCO



DESCRIPTION

Upholstered | Powdercoated Mild Steel Base

DIMENSIONS

430W x 430D x 730H mm | SEAT HEIGHT: 670 mm | 16.9W x 16.9D x 28.7H in | SEAT HEIGHT: 26.4 in

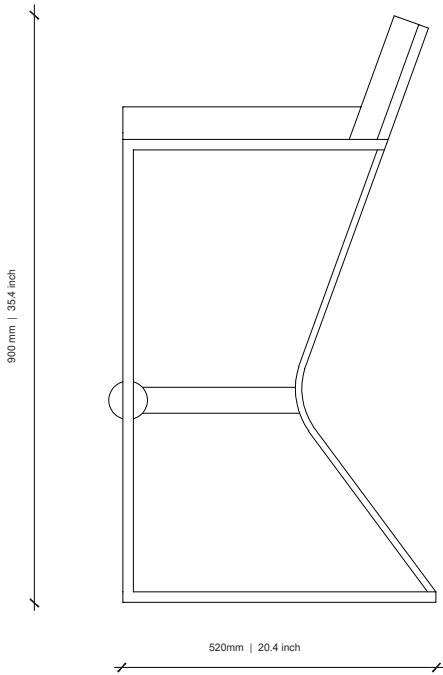
COM/COL

Plain Fabric: 0.5m | 0.55yd

Leather: 0.85m² | 9.2sq ft

DISCLAIMERS:

METALS - All raw metals; brass, copper, mild steel in their respective finishes are unsealed. Metals in a raw, natural and unsealed state will oxidise and change in colour and tone. This is a completely natural process, therefore all our metal finishes will need to be maintained with an appropriate wax/crème, the application of which will build up a natural sealant over time. **Ferrograin**: a lightly textured matte paint finish.



LEATHER OPTIONS | COM AVAILABLE



METAL | DUCO



DESCRIPTION

Upholstered | Powdercoated Mild Steel Frame

DIMENSIONS

420W x 520D x 900H mm | SEAT HEIGHT: 760 mm | 16.5W x 20.4D x 35.4H in | SEAT HEIGHT: 29.9 in

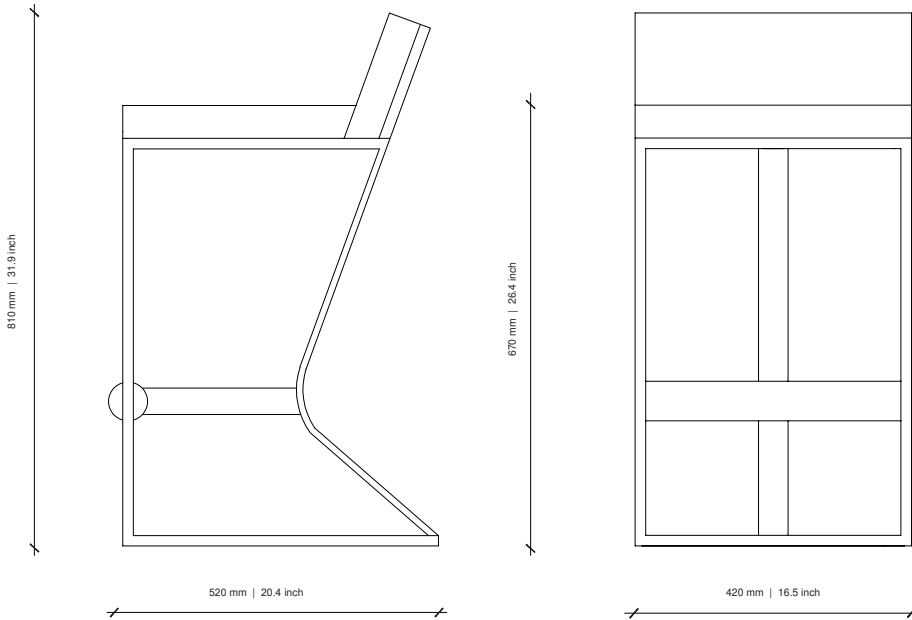
COM/COL

Plain Fabric: 1.8m | 1.9yd

Leather: 2m² | 21.5sq ft

DISCLAIMERS:

METALS - All raw metals; brass, copper, mild steel in their respective finishes are unsealed. Metals in a raw, natural and unsealed state will oxidise and change in colour and tone. This is a completely natural process, therefore all our metal finishes will need to be maintained with an appropriate wax/crème, the application of which will build up a natural sealant over time. **Ferrograin**: a lightly textured matte paint finish.



LEATHER OPTIONS | COM AVAILABLE



METAL | DUCO



DESCRIPTION

Upholstered | Powdercoated Mild Steel Frame

DIMENSIONS

420W x 520D x 810H mm | SEAT HEIGHT: 670 mm | 16.5W x 20.4D x 31.9H in | SEAT HEIGHT: 26.4 in

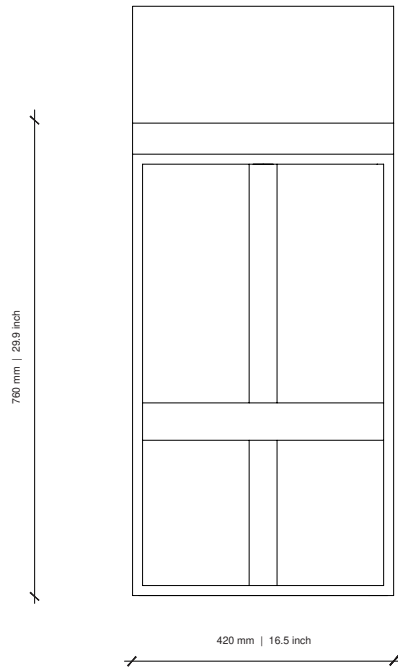
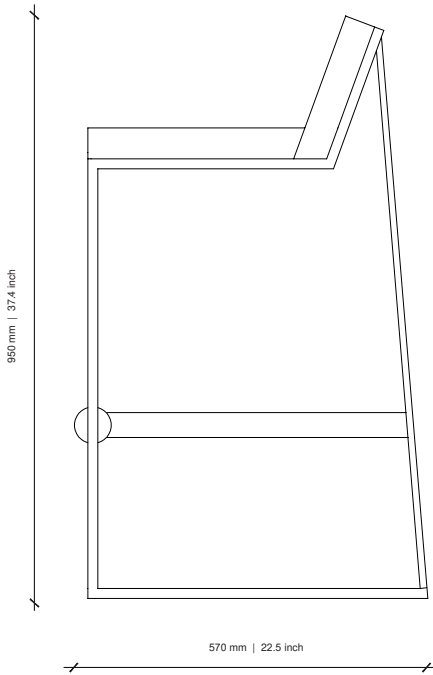
COM/COL

Plain Fabric: 1.8m | 1.9yd

Leather: 2m² | 21.5sq ft

DISCLAIMERS:

METALS - All raw metals; brass, copper, mild steel in their respective finishes are unsealed. Metals in a raw, natural and unsealed state will oxidise and change in colour and tone. This is a completely natural process, therefore all our metal finishes will need to be maintained with an appropriate wax/crème, the application of which will build up a natural sealant over time. **Ferrograin**: a lightly textured matte paint finish.



LEATHER OPTIONS | COM AVAILABLE



METAL | DUCO



DESCRIPTION

Upholstered | Powdercoated Mild Steel Frame

DIMENSIONS

420W x 570D x 950H mm | SEAT HEIGHT 760 mm | 16.5W x 22.4D x 37.4H in | SEAT HEIGHT 29.9 in

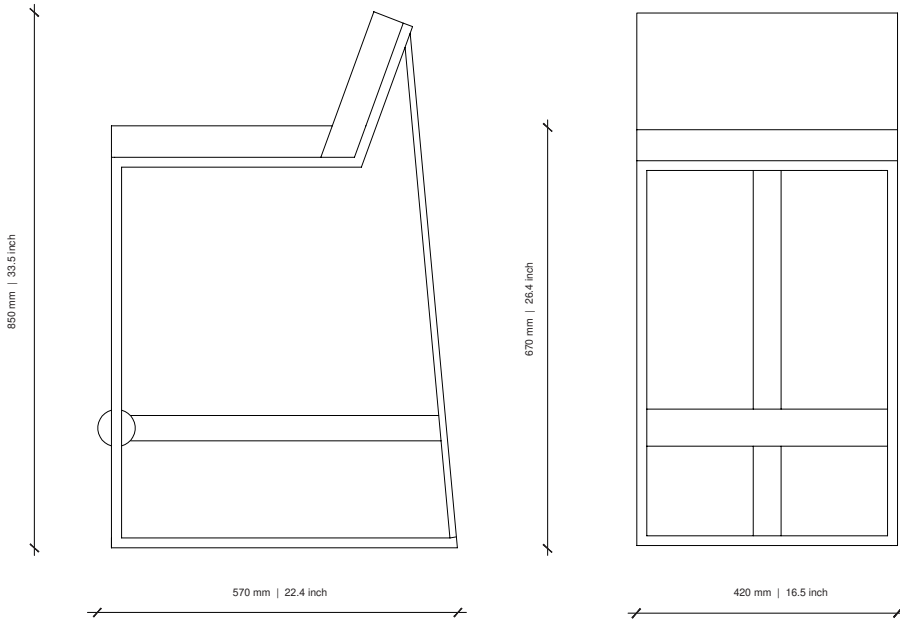
COM/COL

Plain Fabric: 1.8m | 1.9yd

Leather: 2m² | 21.5sq ft

DISCLAIMERS:

METALS - All raw metals; brass, copper, mild steel in their respective finishes are unsealed. Metals in a raw, natural and unsealed state will oxidise and change in colour and tone. This is a completely natural process, therefore all our metal finishes will need to be maintained with an appropriate wax/crème, the application of which will build up a natural sealant over time. **Ferrograin**: a lightly textured matte paint finish.



LEATHER OPTIONS | COM AVAILABLE



METAL | DUCO



DESCRIPTION

Upholstered | Powdercoated Mild Steel Frame

DIMENSIONS

420W x 570D x 860H mm | SEAT HEIGHT: 670 mm | 16.5W x 22.4D x 33.9H in | SEAT HEIGHT: 26.4 in

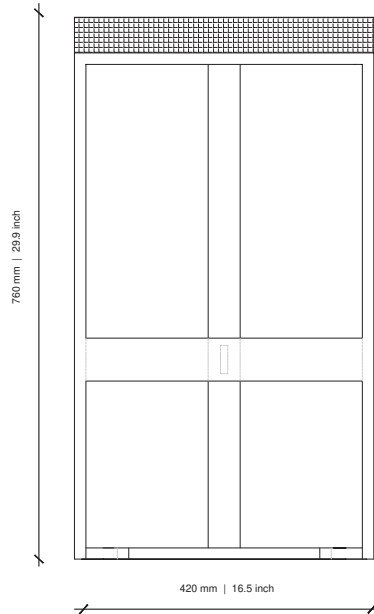
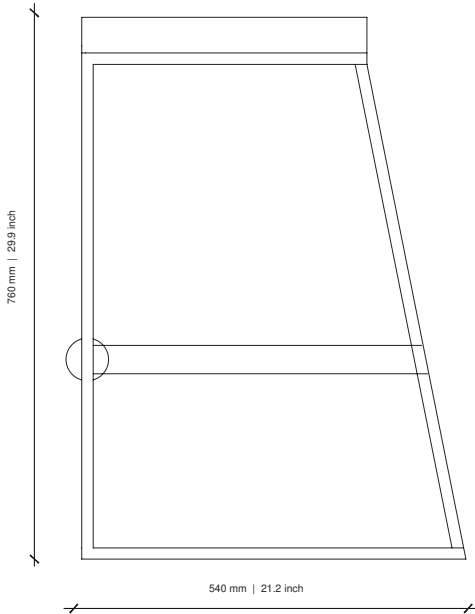
COM/COL

Plain Fabric: 1.8m | 1.9yd

Leather: 2m² | 21.5sq ft

DISCLAIMERS:

METALS - All raw metals; brass, copper, mild steel in their respective finishes are unsealed. Metals in a raw, natural and unsealed state will oxidise and change in colour and tone. This is a completely natural process, therefore all our metal finishes will need to be maintained with an appropriate wax/crème, the application of which will build up a natural sealant over time. **Ferrograin**: a lightly textured matte paint finish.



LEATHER OPTIONS | COM AVAILABLE



Black

Mocca

Navy

Straw

Anthracite

Elephant

Oyster

Latte

White

METAL | DUCO



Black
HighGloss

Black Ferrograin

Saddle Wood
Ferrograin

Light Grey
HighGloss

Charcoal Satin

Light Grey
Ferrograin

White
Ferrograin

Satin White

DESCRIPTION

Upholstered | Powdercoated Mild Steel Frame

DIMENSIONS

420W x 540D x 760H mm | SEAT HEIGHT 760 mm | 16.5W x 21.3D x 29.9H in | SEAT HEIGHT 29.9 in

COM/COL

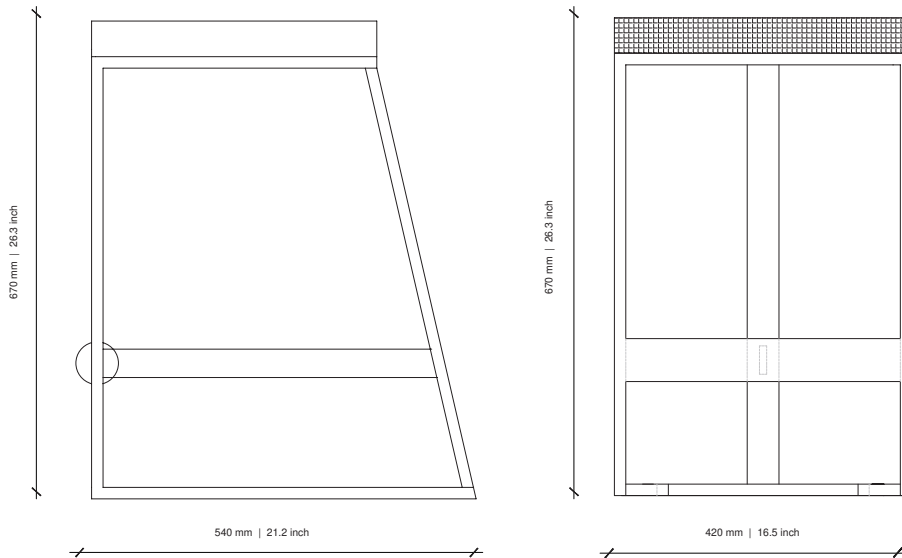
Plain Fabric: 0.6m | 0.65yd

Leather: 1.2m² | 12.91sq ft

* please note the above com/col amounts are for 2 chairs

DISCLAIMERS:

METALS - All raw metals; brass, copper, mild steel in their respective finishes are unsealed. Metals in a raw, natural and unsealed state will oxidise and change in colour and tone. This is a completely natural process, therefore all our metal finishes will need to be maintained with an appropriate wax/crème, the application of which will build up a natural sealant over time. **Ferrograin**: a lightly textured matte paint finish.



LEATHER OPTIONS | COM AVAILABLE



METAL | DUCO



DESCRIPTION

Upholstered | Powdercoated Mild Steel Frame

DIMENSIONS

420W x 540D x 670H mm | SEAT HEIGHT: 670 mm | 16.5W x 21.3D x 26.3H in | SEAT HEIGHT: 26.4 in

COM/COL

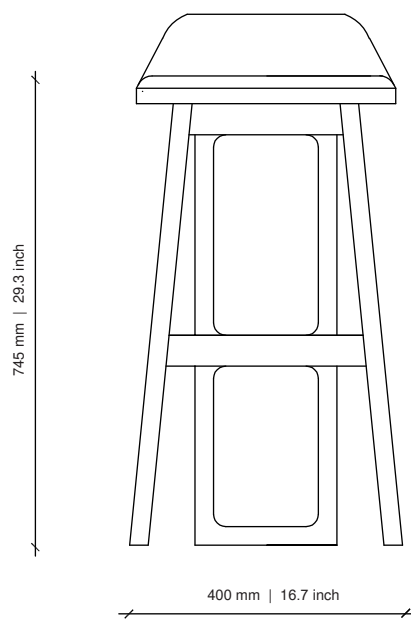
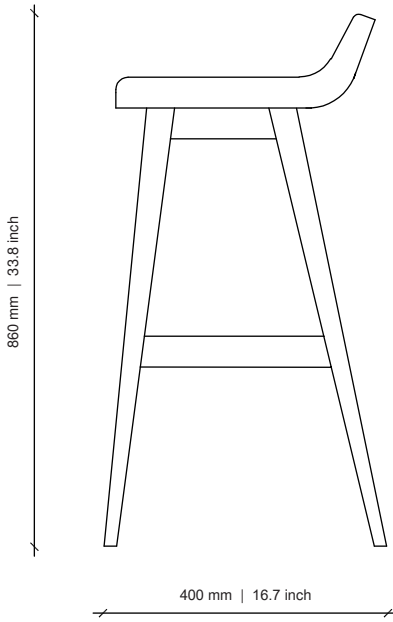
Plain Fabric: 0.6m | 0.65yd

Leather: 1.2m² | 12.91sq ft

* please note the above com/col amounts are for 2 chairs

DISCLAIMERS:

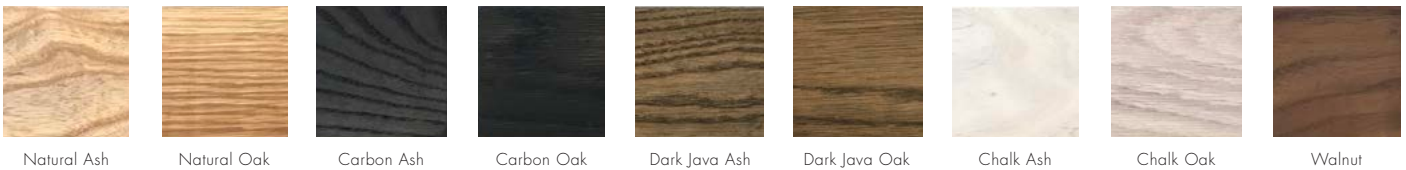
METALS - All raw metals; brass, copper, mild steel in their respective finishes are unsealed. Metals in a raw, natural and unsealed state will oxidise and change in colour and tone. This is a completely natural process, therefore all our metal finishes will need to be maintained with an appropriate wax/crème, the application of which will build up a natural sealant over time. **Ferrograin**: a lightly textured matte paint finish.



LEATHER OPTIONS | COM AVAILABLE



WOOD OPTIONS



DESCRIPTION

Upholstered | Ash / Oak / Walnut Base Options

DIMENSIONS

440W x 455D x 860H mm | SEAT HEIGHT: 745 mm | 17.3W x 17.9D x 33.9H in | SEAT HEIGHT: 29.3 in

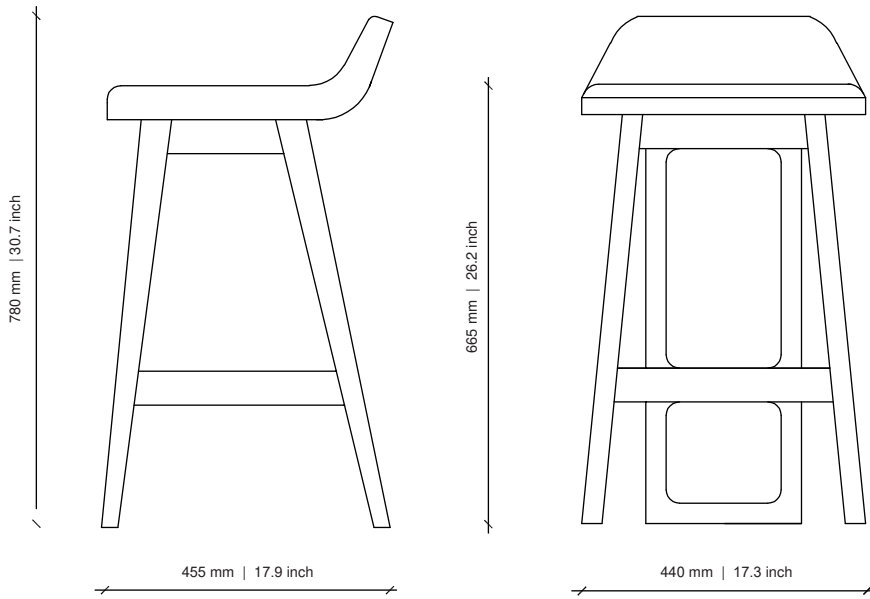
COM/COL

Plain Fabric: 0.75m | 0.8yd

Leather: 1.4m² | 15.1sq ft

DISCLAIMERS:

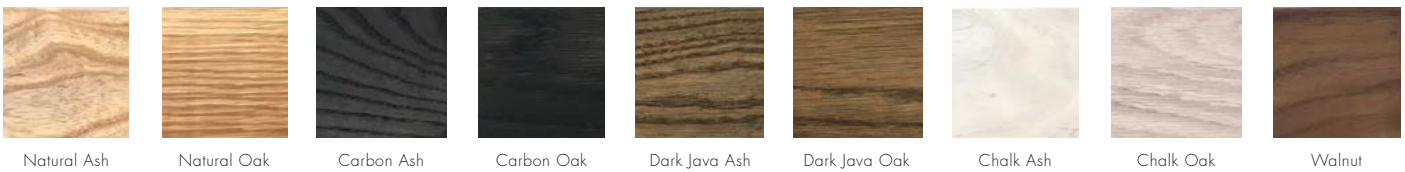
TIMBER - Different textures, grains, colouration and densities are all natural characteristics of timbers. We find these variances an inherent and valuable part of the natural beauty of wood, no two pieces are the same making each OKHA design a unique, characterful piece and each product will be different from the next. Timber movement will also occur as this is a natural product.



LEATHER OPTIONS | COM AVAILABLE



WOOD OPTIONS



DESCRIPTION

Upholstered | Ash / Oak / Walnut Base Options

DIMENSIONS

440W x 455D x 780H mm | SEAT HEIGHT: 665 mm | 17.3W x 17.9D x 30.7H in | SEAT HEIGHT: 26.2 in

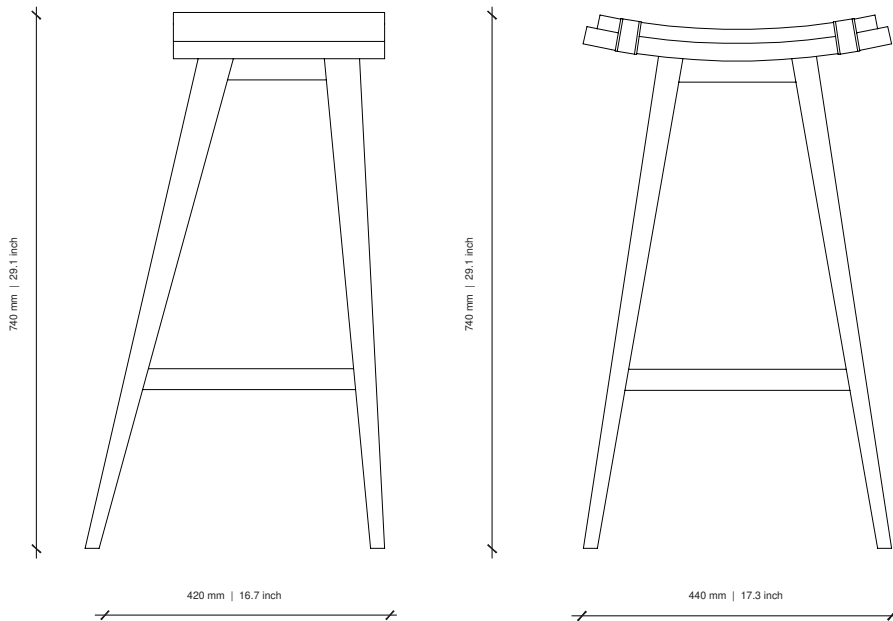
COM/COL

Plain Fabric: 0.75m | 0.8yd

Leather: 1.4m² | 15.1ft²

DISCLAIMERS:

TIMBER - Different textures, grains, colouration and densities are all natural characteristics of timbers. We find these variances an inherent and valuable part of the natural beauty of wood, no two pieces are the same making each OKHA design a unique, characterful piece and each product will be different from the next. Timber movement will also occur as this is a natural product.



LEATHER OPTIONS | COM AVAILABLE



WOOD OPTIONS



DESCRIPTION

Upholstered | Ash / Oak / Walnut Base Options

DIMENSIONS

440W x 420D x 740H mm | 17.3W x 16.5D x 29.1H in

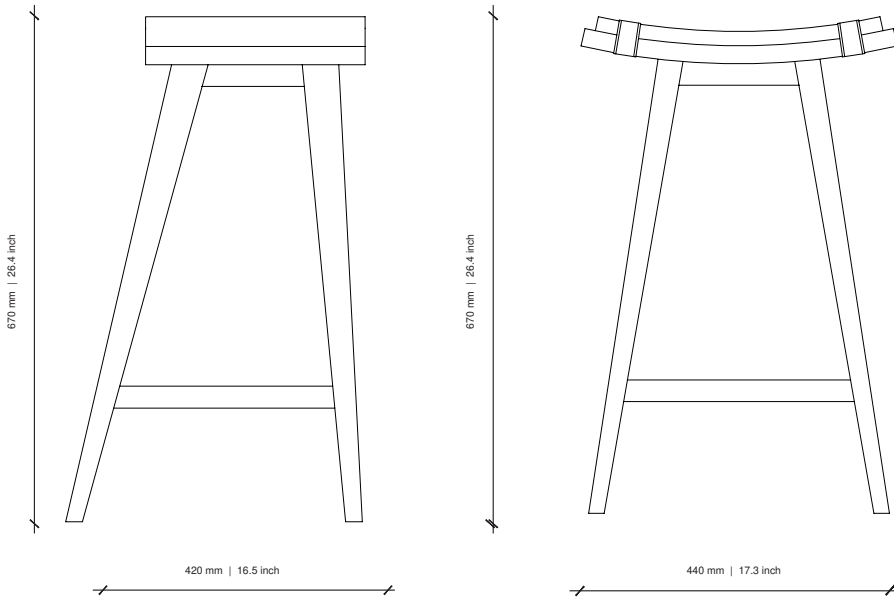
COM/COL

Plain Fabric: 1.6m | 1.7yd

Leather: 2m² | 21.5sq ft

DISCLAIMERS:

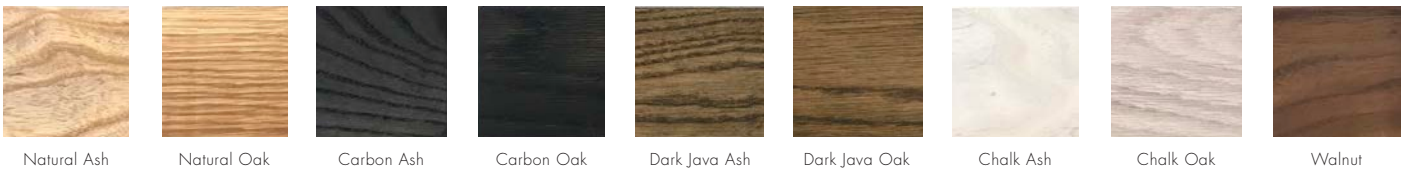
TIMBER - Different textures, grains, colouration and densities are all natural characteristics of timbers. We find these variances an inherent and valuable part of the natural beauty of wood, no two pieces are the same making each OKHA design a unique, characterful piece and each product will be different from the next. Timber movement will also occur as this is a natural product.



LEATHER OPTIONS | COM AVAILABLE



WOOD OPTIONS



DESCRIPTION

Upholstered | Ash / Oak / Walnut Base Options

DIMENSIONS

440W x 420D x 670H mm | 17.3W x 16.5D x 26.4H in

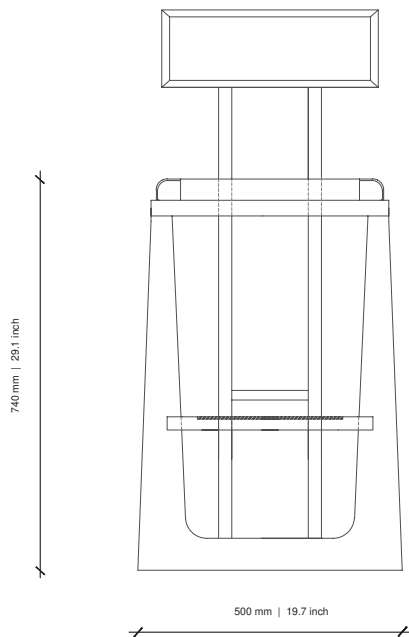
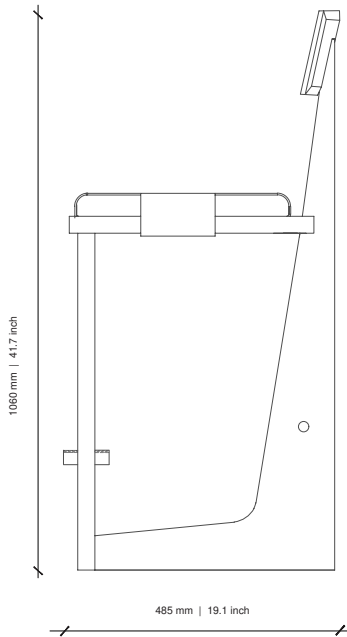
COM/COL

Plain Fabric: 1.6m | 1.7yd

Leather: 2m² | 21.5sq ft

DISCLAIMERS:

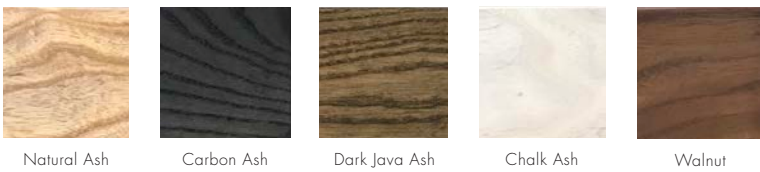
TIMBER - Different textures, grains, colouration and densities are all natural characteristics of timbers. We find these variances an inherent and valuable part of the natural beauty of wood, no two pieces are the same making each OKHA design a unique, characterful piece and each product will be different from the next. Timber movement will also occur as this is a natural product.



LEATHER OPTIONS | COM AVAILABLE



WOOD OPTIONS



DESCRIPTION

Upholstered | Ash / Walnut Frame Options

DIMENSIONS

500W x 485D x 1060H mm | SEAT HEIGHT: 740 mm | 19.7W x 19.1D x 41.7H in | SEAT HEIGHT: 29.1 in

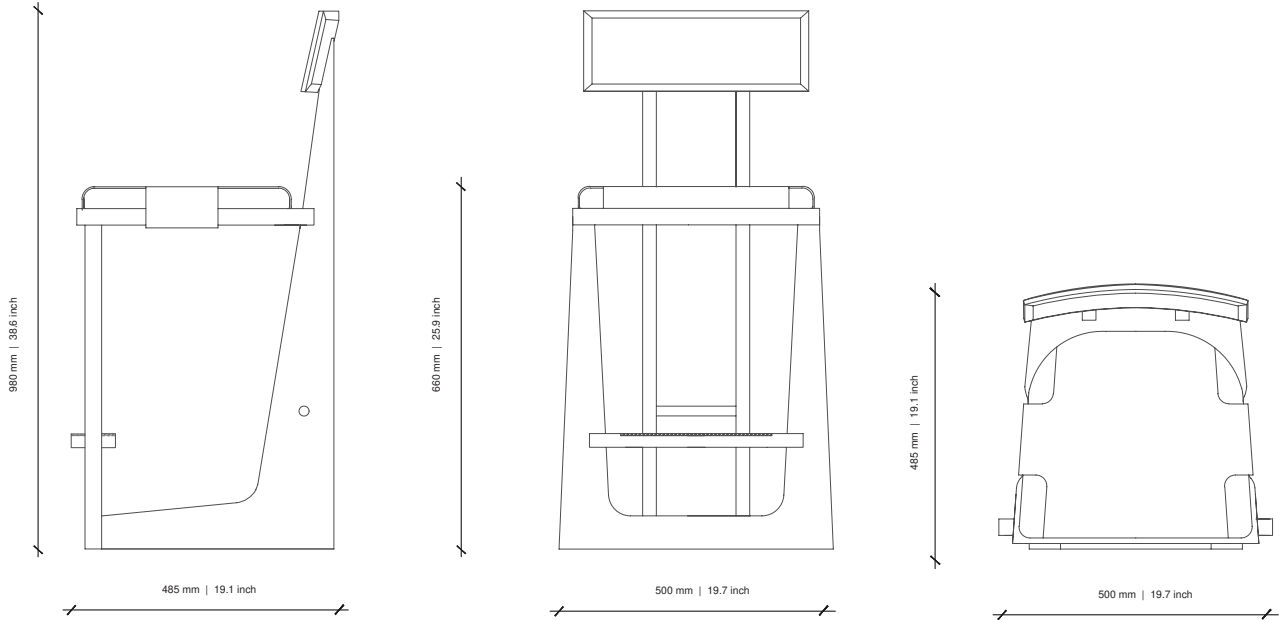
COM/COL

Plain Fabric: 1m | 0.55yd

Leather: 1.6m² | 8.6sq ft

DISCLAIMERS:

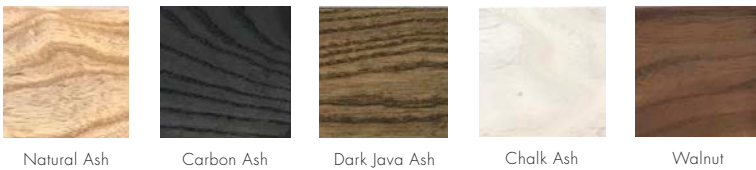
TIMBER - Different textures, grains, colouration and densities are all natural characteristics of timbers. We find these variances an inherent and valuable part of the natural beauty of wood, no two pieces are the same making each OKHA design a unique, characterful piece and each product will be different from the next. Timber movement will also occur as this is a natural product.



LEATHER OPTIONS | COM AVAILABLE



WOOD OPTIONS



DESCRIPTION

Upholstered | Ash / Walnut Frame Options

DIMENSIONS

500W x 485D x 980H mm | SEAT HEIGHT: 660 mm | 19.7W x 19.1D x 38.6H in | SEAT HEIGHT: 26 in

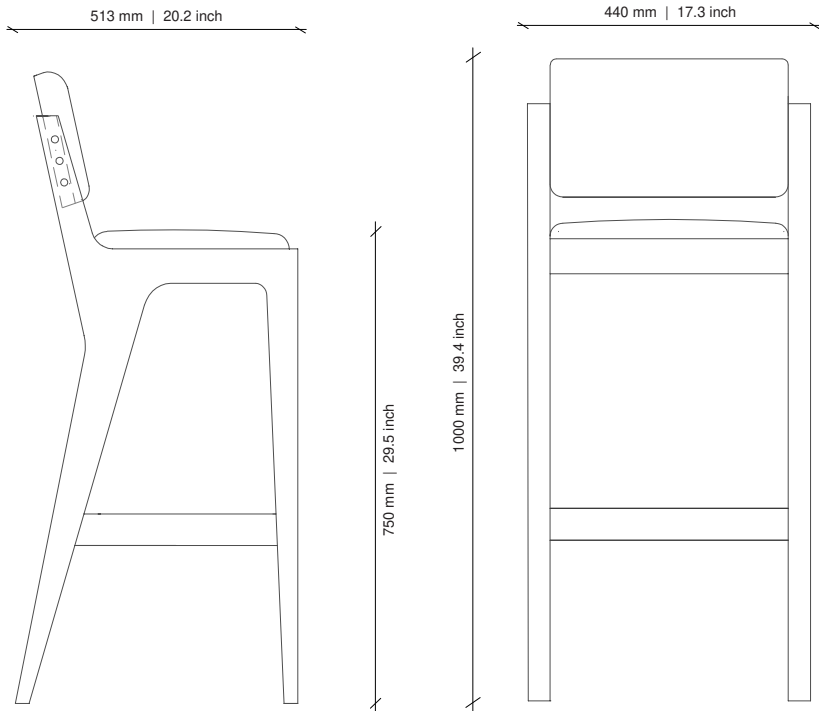
COM/COL

Plain Fabric: 1m | 0.55yd

Leather: 1.6m² | 8.6sq ft

DISCLAIMERS:

TIMBER - Different textures, grains, colouration and densities are all natural characteristics of timbers. We find these variances an inherent and valuable part of the natural beauty of wood, no two pieces are the same making each OKHA design a unique, characterful piece and each product will be different from the next. Timber movement will also occur as this is a natural product.



LEATHER OPTIONS | COM AVAILABLE



WOOD OPTIONS



METAL FINISHES



Stainless Steel

DESCRIPTION

Upholstered | Ash / Oak / Walnut Frame Options | Stainless Steel Footrest

DIMENSIONS

440W x 513D x 1000H mm | SEAT HEIGHT: 750 mm | 17.3W x 20.2D x 39.4H in | SEAT HEIGHT: 29.5 in

COM/COL

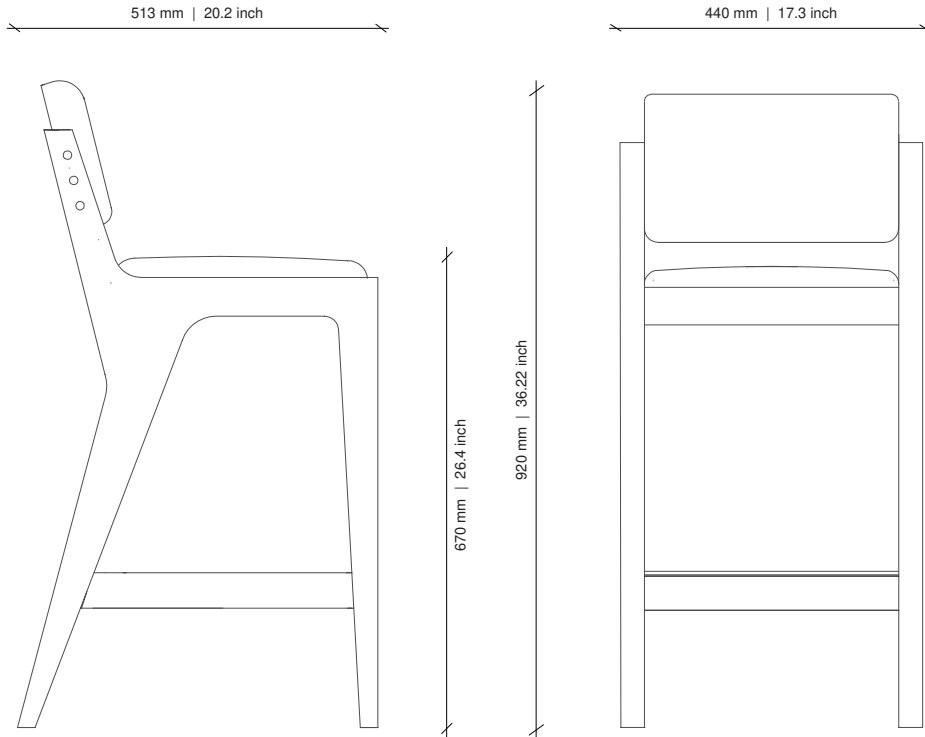
Plain Fabric: 0.5m | 0.55yd

Leather: 0.9m² | 8.6sq ft

DISCLAIMERS:

TIMBER - Different textures, grains, colouration and densities are all natural characteristics of timbers. We find these variances an inherent and valuable part of the natural beauty of wood, no two pieces are the same making each OKHA design a unique, characterful piece and each product will be different from the next. Timber movement will also occur as this is a natural product.

METALS - All raw metals; brass, copper, mild steel in their respective finishes are unsealed. Metals in a raw, natural and unsealed state will oxidise and change in colour and tone. This is a completely natural process, therefore all our metal finishes will need to be maintained with an appropriate wax/crème, the application of which will build up a natural sealant over time. **Ferrogain**: a lightly textured matte paint finish.



LEATHER OPTIONS | COM AVAILABLE



WOOD OPTIONS



METAL FINISHES



Stainless Steel

DESCRIPTION

Upholstered | Ash / Oak / Walnut Frame Options | Stainless Steel Footrest

DIMENSIONS

440W x 513D x 920H mm | SEAT HEIGHT: 670 mm | 17.3W x 20.2D x 36.2H in | SEAT HEIGHT: 26.4 in

COM/COL

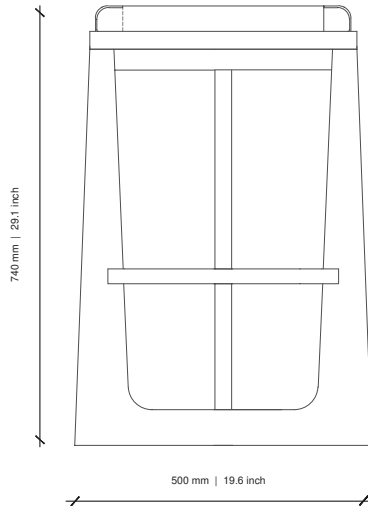
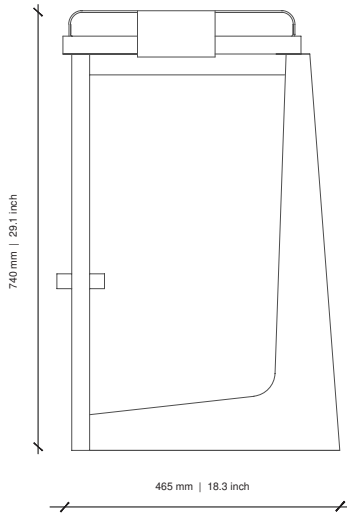
Plain Fabric: 0.5m | 0.55yd

Leather: 0.9m² | 8.6sq ft

DISCLAIMERS:

TIMBER - Different textures, grains, colouration and densities are all natural characteristics of timbers. We find these variances an inherent and valuable part of the natural beauty of wood, no two pieces are the same making each OKHA design a unique, characterful piece and each product will be different from the next. Timber movement will also occur as this is a natural product.

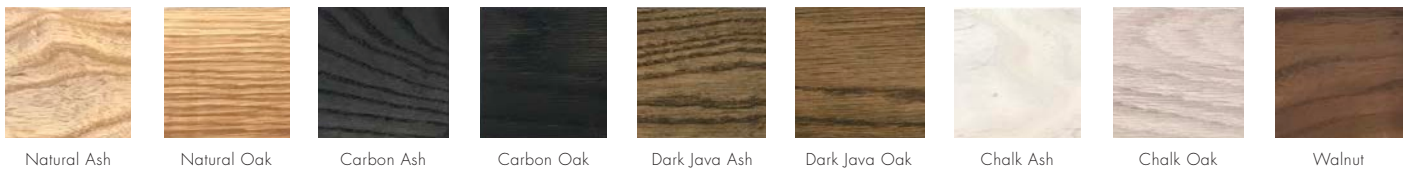
METALS - All raw metals; brass, copper, mild steel in their respective finishes are unsealed. Metals in a raw, natural and unsealed state will oxidise and change in colour and tone. This is a completely natural process, therefore all our metal finishes will need to be maintained with an appropriate wax/crème, the application of which will build up a natural sealant over time. **Ferrogain**: a lightly textured matte paint finish.



LEATHER OPTIONS | COM AVAILABLE



WOOD OPTIONS



DESCRIPTION

Upholstered | Ash / Oak / Walnut Frame Options

DIMENSIONS

500W x 465D x 740H mm | SEAT HEIGHT: 740 mm | 19.6W x 18.3D x 29.1H in | SEAT HEIGHT: 29.1 in

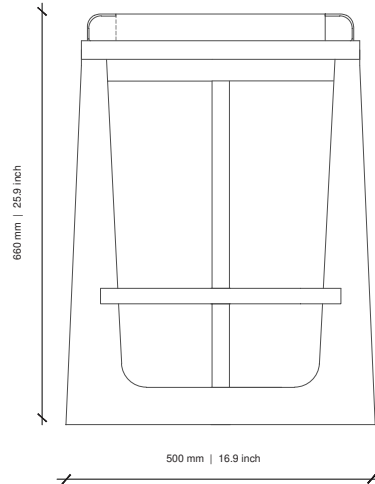
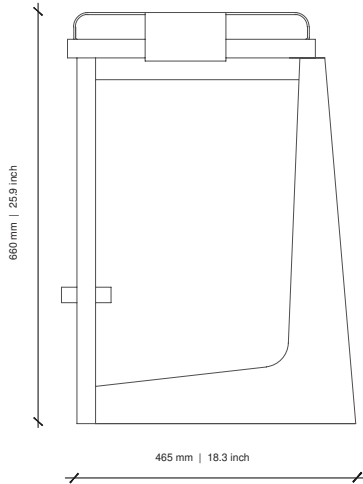
COM/COL

Plain Fabric: 1m | 0.55yd

Leather: 1.6m² | 8.6sq ft

DISCLAIMERS:

TIMBER - Different textures, grains, colouration and densities are all natural characteristics of timbers. We find these variances an inherent and valuable part of the natural beauty of wood, no two pieces are the same making each OKHA design a unique, characterful piece and each product will be different from the next. Timber movement will also occur as this is a natural product.



LEATHER OPTIONS | COM AVAILABLE



WOOD OPTIONS



DESCRIPTION

Upholstered | Ash / Oak / Walnut Frame Options

DIMENSIONS

500W x 465D x 660H mm | SEAT HEIGHT: 660 mm | 16.9W x 18.3D x 25.9H in | SEAT HEIGHT: 25.9 in

COM/COL

Plain Fabric: 1m | 0.55yd

Leather: 1.6m² | 8.6sq ft

DISCLAIMERS:

TIMBER - Different textures, grains, colouration and densities are all natural characteristics of timbers. We find these variances an inherent and valuable part of the natural beauty of wood, no two pieces are the same making each OKHA design a unique, characterful piece and each product will be different from the next. Timber movement will also occur as this is a natural product.