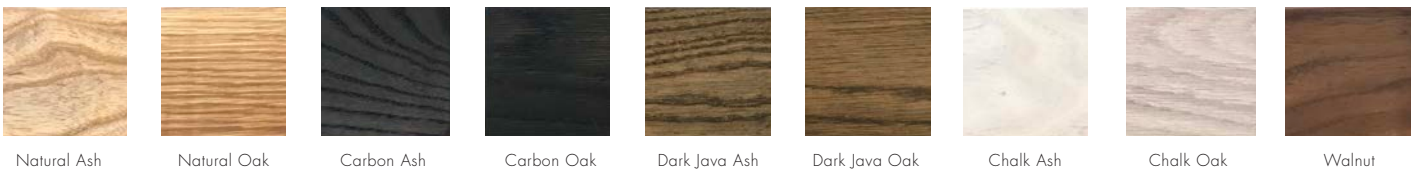


LEATHER OPTIONS | COM AVAILABLE



WOOD OPTIONS



DESCRIPTION

Upholstered | Ash / Oak / Walnut Base Options

DIMENSIONS

744W x 945D x 750H mm | SEAT HEIGHT: 370 mm | 29.3W x 37.2D x 29.5H in | SEAT HEIGHT: 14.5 in

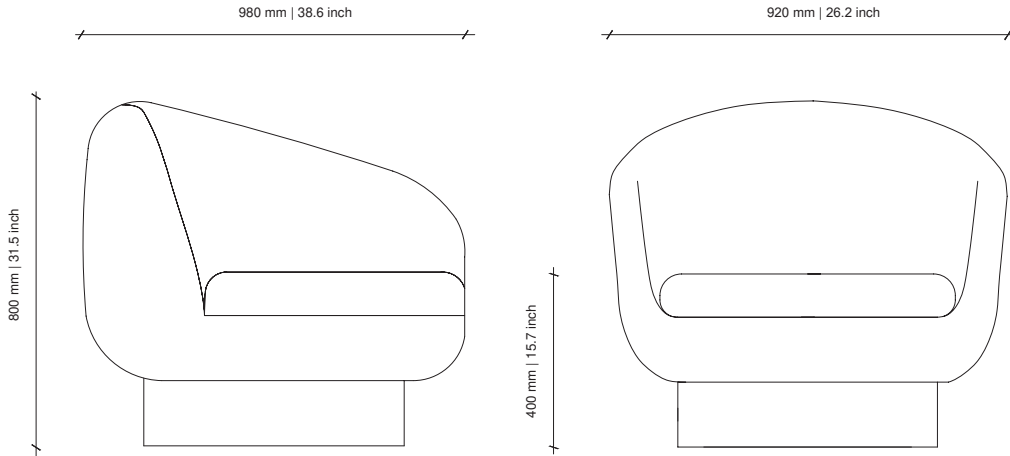
COM/COL

Fabric: 4.5m | 4.9yd

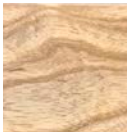
Leather: 7.5m² | 80.7sq ft

DISCLAIMERS:

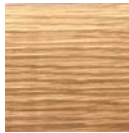
TIMBER - Different textures, grains, colouration and densities are all natural characteristics of timbers. We find these variances an inherent and valuable part of the natural beauty of wood, no two pieces are the same making each OKHA design a unique, characterful piece and each product will be different from the next. Timber movement will also occur as this is a natural product.



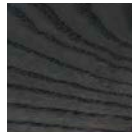
WOOD OPTIONS



Natural Ash



Natural Oak



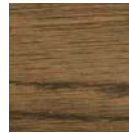
Carbon Ash



Carbon Oak



Dark Java Ash



Dark Java Oak



Chalk Ash



Chalk Oak

METAL OPTIONS



Brushed Oxidised
Brass



Polished Brass



Sanded &
Brushed Brass

DESCRIPTION

Upholstered | Brass / Ash / Oak Base Options

DIMENSIONS

920W x 980D x 800H mm | SEAT HEIGHT: 400 mm | 26.2W x 38.6D x 31.5H in | SEAT HEIGHT: 15.7 in

COM/COL

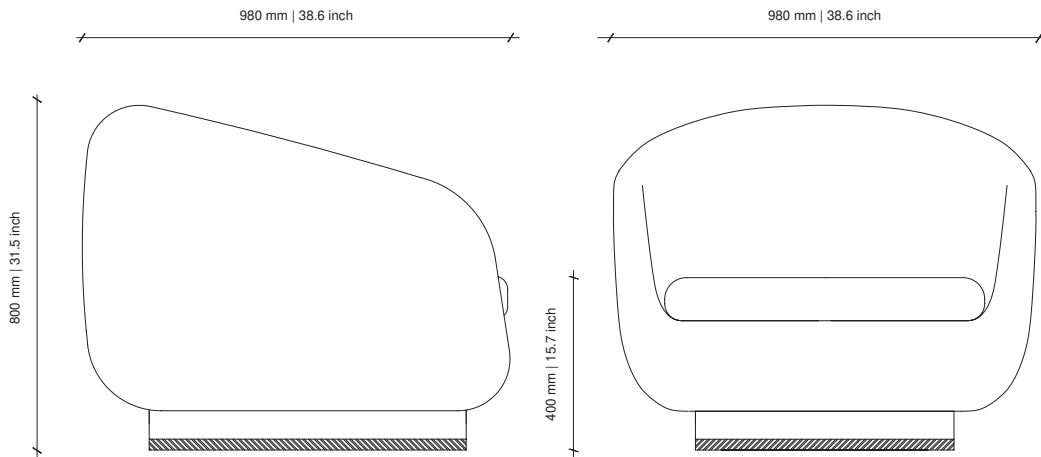
Fabric: 6.5m | 7.1yd

Leather: 12m² | 129.1sq ft

DISCLAIMERS:

TIMBER - Different textures, grains, colouration and densities are all natural characteristics of timbers. We find these variances an inherent and valuable part of the natural beauty of wood, no two pieces are the same making each OKHA design a unique, characterful piece and each product will be different from the next. Timber movement will also occur as this is a natural product.

METALS - All raw metals; brass, copper, mild steel in their respective finishes are unsealed. Metals in a raw, natural and unsealed state will oxidise and change in colour and tone. This is a completely natural process, therefore all our metal finishes will need to be maintained with an appropriate wax/crème, the application of which will build up a natural sealant over time. **Ferrogain**: a lightly textured matte paint finish.



LEATHER OPTIONS | COM AVAILABLE



Black

Mocca

Navy

Straw

Anthracite

Elephant

Oyster

Latte

White

WOOD OPTIONS



Natural Ash

Natural Oak

Carbon Ash

Carbon Oak

Dark Java Ash

Dark Java Oak

Chalk Ash

Chalk Oak

Walnut

DESCRIPTION

Upholstered | Ash / Oak / Walnut Base Options

DIMENSIONS

980W x 980D x 800H mm | SEAT HEIGHT: 400 mm | 38.6W x 38.6D x 31.5H in | SEAT HEIGHT: 15.7 in

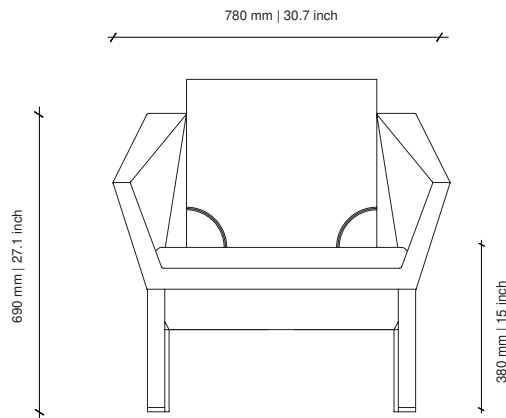
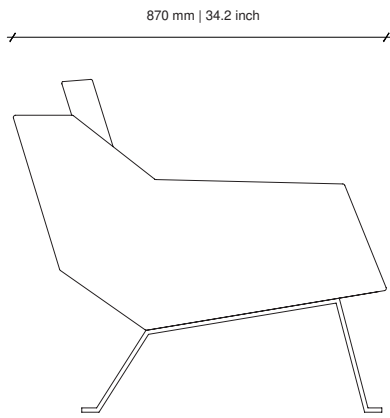
COM/COL

Fabric: 6.5m | 7.1yd

Leather: 12m² | 129.1sq ft

DISCLAIMERS:

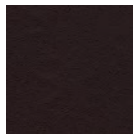
TIMBER - Different textures, grains, colouration and densities are all natural characteristics of timbers. We find these variances an inherent and valuable part of the natural beauty of wood, no two pieces are the same making each OKHA design a unique, characterful piece and each product will be different from the next. Timber movement will also occur as this is a natural product.



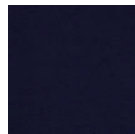
LEATHER OPTIONS | COM AVAILABLE



Black



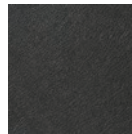
Mocca



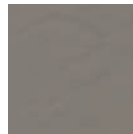
Navy



Straw



Anthracite



Elephant



Oyster



Latte



White

METAL



Mirror Polished
Stainless Steel

DESCRIPTION

Upholstered | Mirror Polished Stainless Steel Base

DIMENSIONS

780W x 870D x 690H mm | SEAT HEIGHT: 380 mm | 30.7W x 34.2D x 27.1H in | SEAT HEIGHT: 15 in

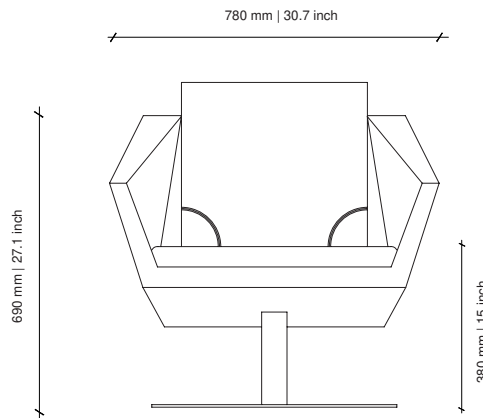
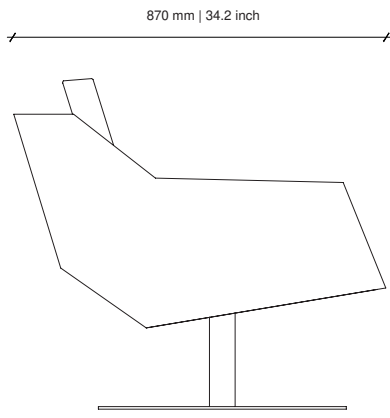
COM/COL

Fabric: 4m / 4.3yd

Leather: 6.9m² / 57.2sq ft

DISCLAIMERS:

METALS - All raw metals; brass, copper, mild steel in their respective finishes are unsealed. Metals in a raw, natural and unsealed state will oxidise and change in colour and tone. This is a completely natural process, therefore all our metal finishes will need to be maintained with an appropriate wax/crème, the application of which will build up a natural sealant over time. **Ferrogain**: a lightly textured matte paint finish.



LEATHER OPTIONS | COM AVAILABLE



METAL | DUCO



METAL



Mild Steel

DESCRIPTION

Upholstered | Powdercoated Mild Steel Swivel Base

DIMENSIONS

780W x 870D x 690H mm | SEAT HEIGHT: 380 mm | 30.7W x 34.2D x 27.1H in | SEAT HEIGHT: 15 in

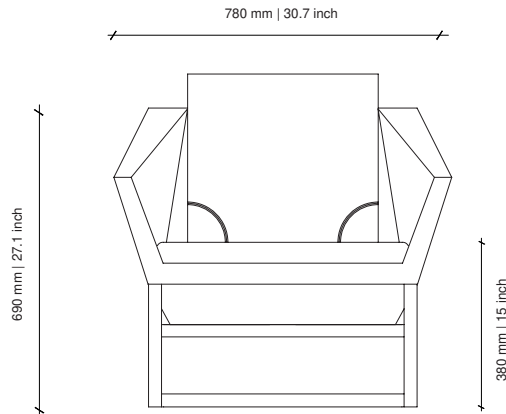
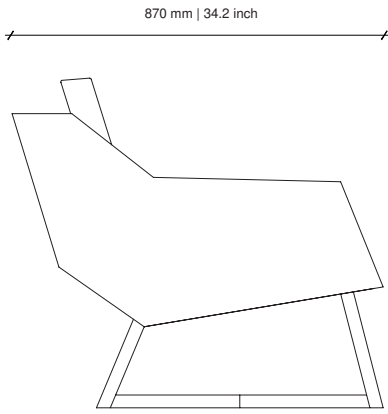
COM/COL

Fabric: 4m / 4.3yd

Leather: 6.9m² / 57.2sq ft

DISCLAIMERS:

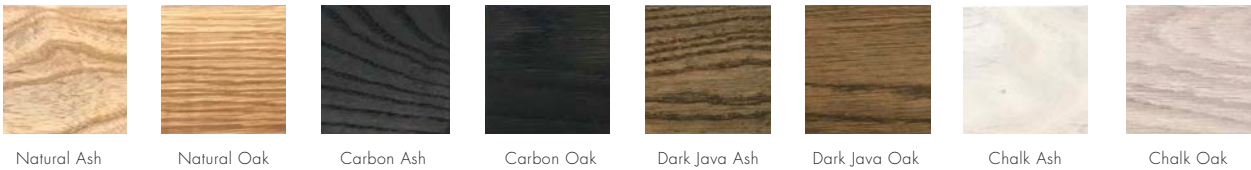
METALS - All raw metals; brass, copper, mild steel in their respective finishes are unsealed. Metals in a raw, natural and unsealed state will oxidise and change in colour and tone. This is a completely natural process, therefore all our metal finishes will need to be maintained with an appropriate wax/crème, the application of which will build up a natural sealant over time. **Ferrograin**: a lightly textured matte paint finish.



LEATHER OPTIONS | COM AVAILABLE



WOOD OPTIONS



DESCRIPTION

Upholstered | Ash / Oak Frame Options

DIMENSIONS

780W x 870D x 690H mm | SEAT HEIGHT: 380 mm | 30.7W x 34.2D x 27.1H in | SEAT HEIGHT: 15 in

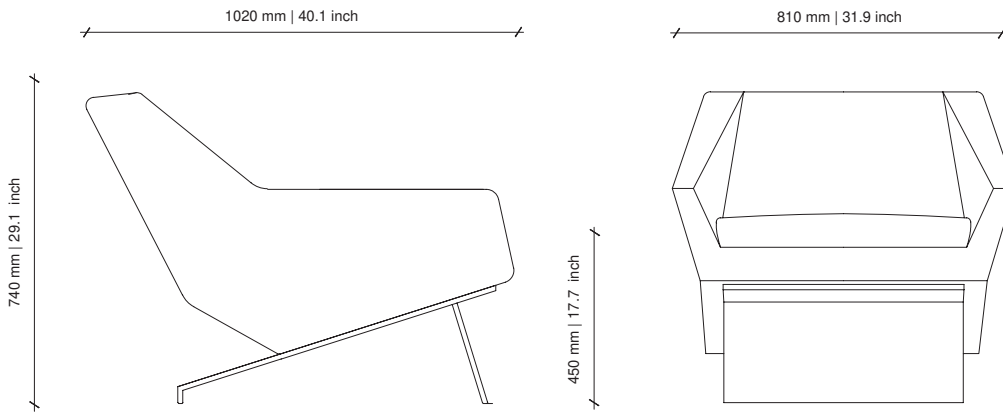
COM/COL

Fabric: 4m / 4.3yd

Leather: 6.9m² / 57.2sq ft

DISCLAIMERS:

TIMBER - Different textures, grains, colouration and densities are all natural characteristics of timbers. We find these variances an inherent and valuable part of the natural beauty of wood, no two pieces are the same making each OKHA design a unique, characterful piece and each product will be different from the next. Timber movement will also occur as this is a natural product.



LEATHER OPTIONS | COM AVAILABLE



METAL OPTIONS



Aluminum

DESCRIPTION

Upholstered | Aluminium Base

DIMENSIONS

810W x 1020D x 740H mm | SEAT HEIGHT: 450 mm | 31.9W x 40.1D x 29.1H in | SEAT HEIGHT: 17.7 in

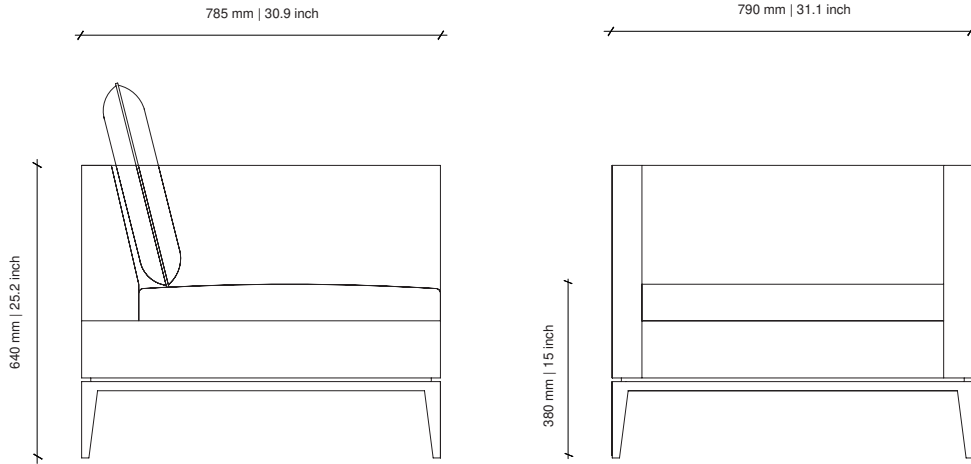
COM/COL

Fabric: 5.5m | 6yd

Leather: 9.9m² | 106.6sq ft

DISCLAIMERS:

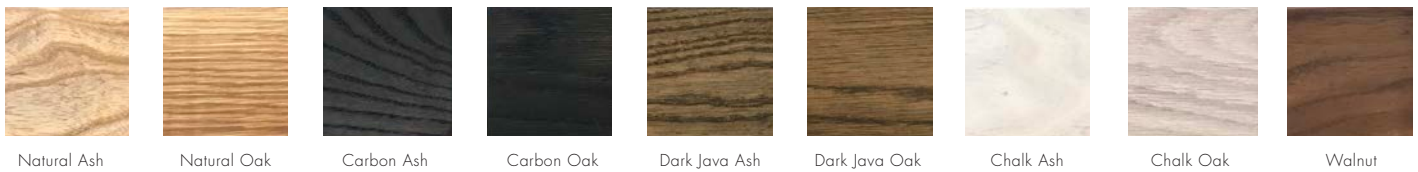
METALS - All raw metals; brass, copper, mild steel in their respective finishes are unsealed. Metals in a raw, natural and unsealed state will oxidise and change in colour and tone. This is a completely natural process, therefore all our metal finishes will need to be maintained with an appropriate wax/crème, the application of which will build up a natural sealant over time. **Ferrogain**: a lightly textured matte paint finish.



LEATHER OPTIONS | COM AVAILABLE



WOOD OPTIONS



DESCRIPTION

Upholstered | Ash / Oak / Walnut Base Options

DIMENSIONS

790W x 785D x 640H mm | SEAT HEIGHT: 380 mm | 31.1W x 30.9D x 25.2H in | SEAT HEIGHT: 15 in

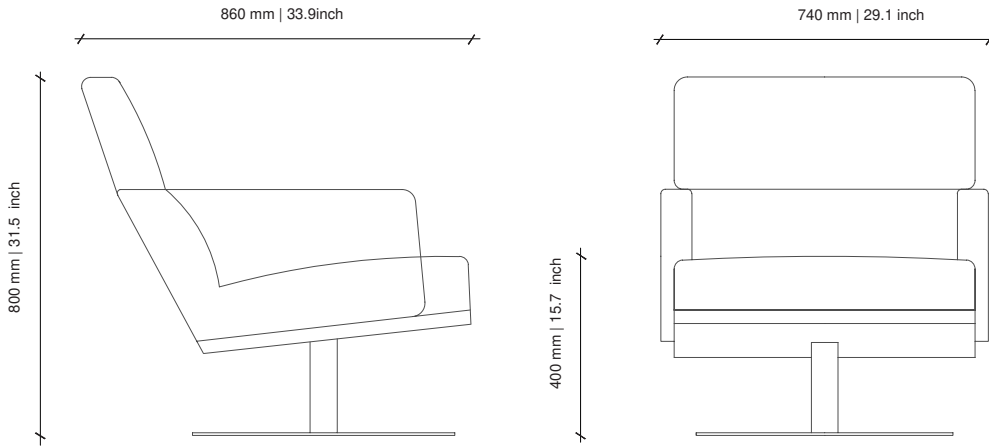
COM/COL

Fabric: 5.5m | 6yd

Leather: 9.9m² | 106.6sq ft

DISCLAIMERS:

TIMBER - Different textures, grains, colouration and densities are all natural characteristics of timbers. We find these variances an inherent and valuable part of the natural beauty of wood, no two pieces are the same making each OKHA design a unique, characterful piece and each product will be different from the next. Timber movement will also occur as this is a natural product.



LEATHER OPTIONS | COM AVAILABLE



WOOD OPTIONS



DESCRIPTION

Upholstered | Ash / Oak / Walnut / Powdercoated Mild Steel Swivel Base

DIMENSIONS

740W x 860D x 800H mm | SEAT HEIGHT: 400 mm | 29.1W x 33.9 D x 31.5H in | SEAT HEIGHT: 15.7 in

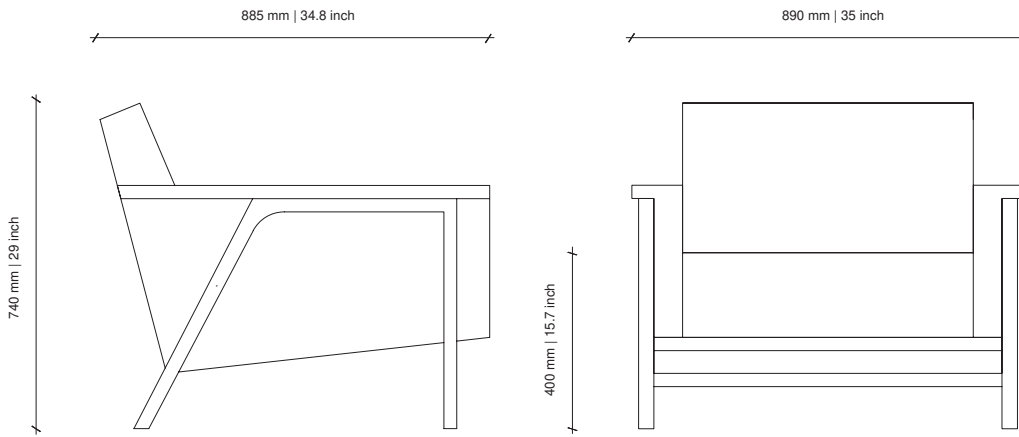
COM/COL

Fabric: 4m | 4.37yd

Leather: 7.5m² | 80.72sq ft

DISCLAIMERS:

TIMBER - Different textures, grains, colouration and densities are all natural characteristics of timbers. We find these variances an inherent and valuable part of the natural beauty of wood, no two pieces are the same making each OKHA design a unique, characterful piece and each product will be different from the next. Timber movement will also occur as this is a natural product.



LEATHER OPTIONS | COM AVAILABLE



WOOD OPTIONS



DESCRIPTION

Upholstered | Ash / Oak / Walnut Base Options

DIMENSIONS

890W x 885D x 740H mm | SEAT HEIGHT: 400 mm | 35W x 34.8D x 29H in | SEAT HEIGHT: 15.7 in

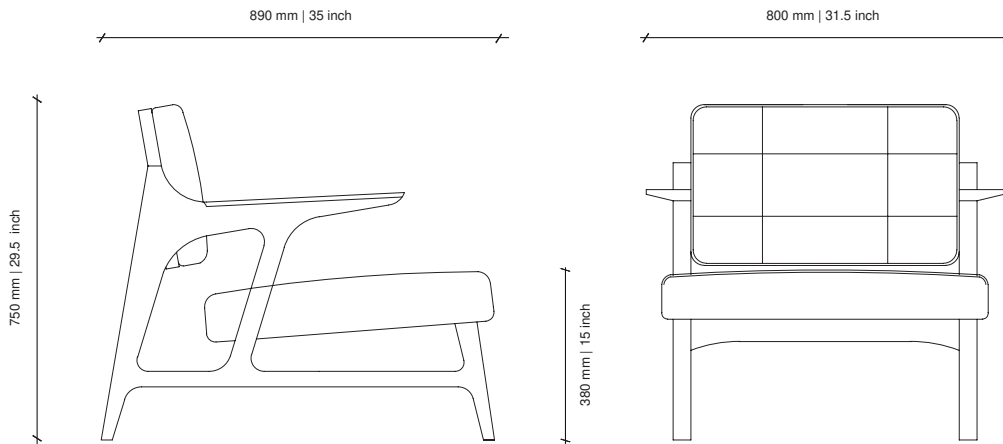
COM/COL

Fabric: 5.5m | 6yd

Leather: 10m² | 107.6sq ft

DISCLAIMERS:

TIMBER - Different textures, grains, colouration and densities are all natural characteristics of timbers. We find these variances an inherent and valuable part of the natural beauty of wood, no two pieces are the same making each OKHA design a unique, characterful piece and each product will be different from the next. Timber movement will also occur as this is a natural product.



LEATHER OPTIONS | COM AVAILABLE



WOOD OPTIONS



DESCRIPTION

Upholstered | Ash / Oak / Walnut Frame Options

DIMENSIONS

800W x 890D x 750H mm | SEAT HEIGHT: 380 mm | 31.5W x 35D x 29.5H in | SEAT HEIGHT: 15 in

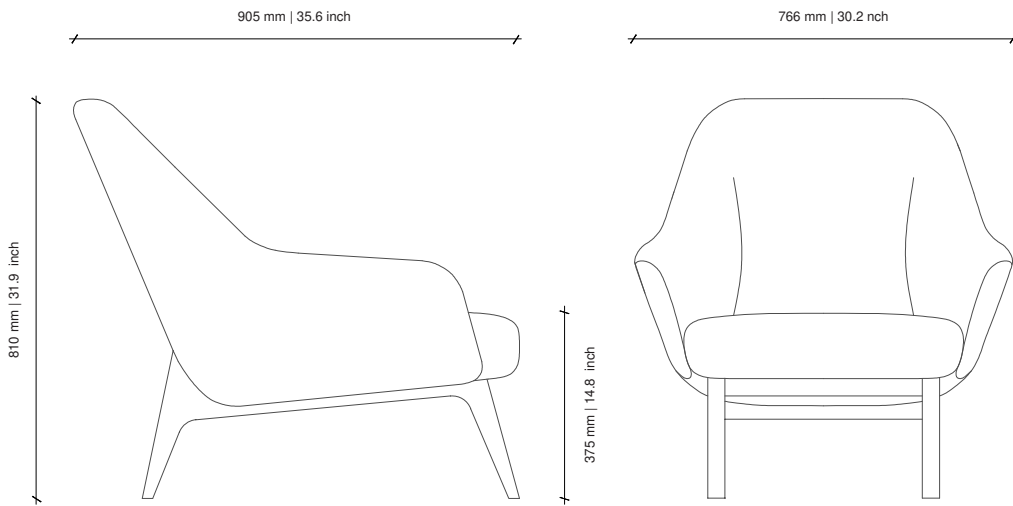
COM/COL

Fabric: 4.5m | 4.4yd

Leather: 8m² | 86.1sq ft

DISCLAIMERS:

TIMBER - Different textures, grains, colouration and densities are all natural characteristics of timbers. We find these variances an inherent and valuable part of the natural beauty of wood, no two pieces are the same making each OKHA design a unique, characterful piece and each product will be different from the next. Timber movement will also occur as this is a natural product.



LEATHER OPTIONS | COM AVAILABLE



WOOD OPTIONS



DESCRIPTION

Upholstered | Ash / Oak / Walnut Base Options

DIMENSIONS

766W x 905D x 810H mm | SEAT HEIGHT: 375mm | 30.2W x 35.6D x 31.9H in | SEAT HEIGHT: 14.8 in

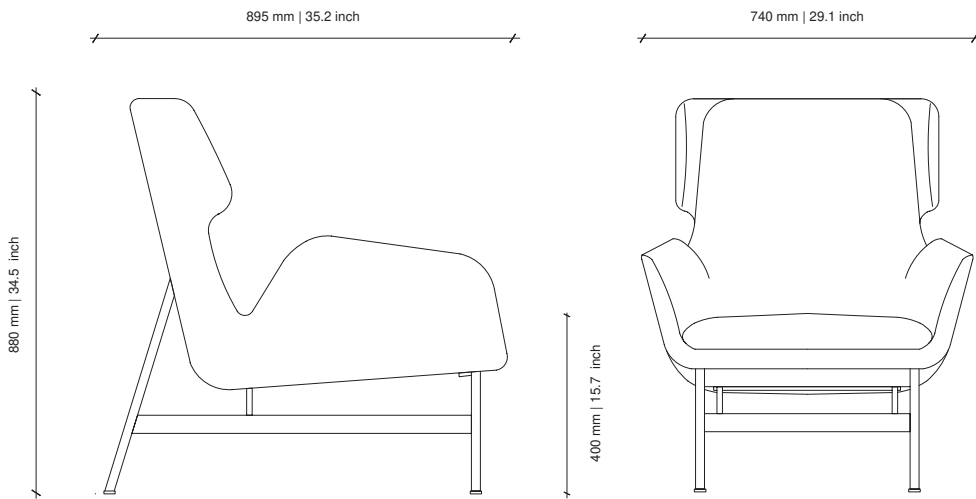
COM/COL

Fabric: 5.5m | 6yd

Leather: 9.9m² | 106.6sq ft

DISCLAIMERS:

TIMBER - Different textures, grains, colouration and densities are all natural characteristics of timbers. We find these variances an inherent and valuable part of the natural beauty of wood, no two pieces are the same making each OKHA design a unique, characterful piece and each product will be different from the next. Timber movement will also occur as this is a natural product.



LEATHER OPTIONS | COM AVAILABLE



METAL | DUCO



DESCRIPTION

Upholstered | Powdercoated Mild Steel Frame / Mirror Polished Stainless Steel Frame Options

DIMENSIONS

740W x 895D x 880H mm - SEAT HEIGHT: 400 mm | 29.1W x 35.2D x 34.5H in | SEAT HEIGHT: 15.7 in

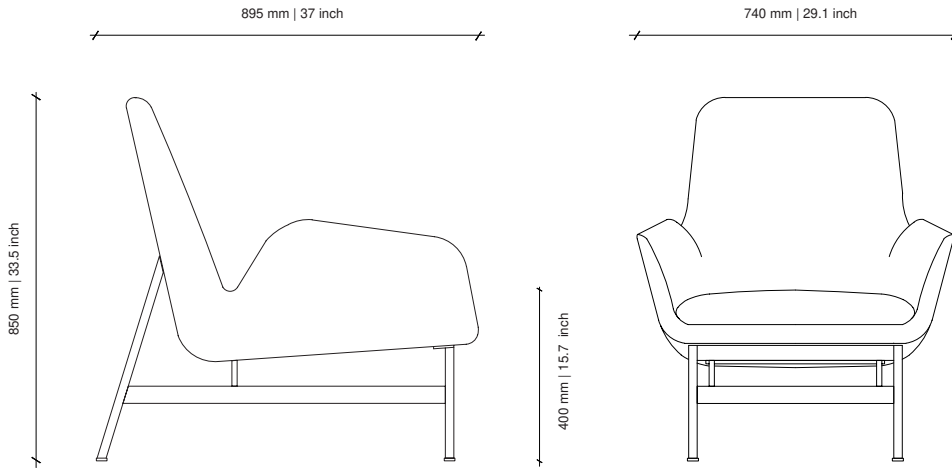
COM/COL

Fabric: 5m | 5.5yd

Leather: 8.75m² | 94.2sq ft

DISCLAIMERS:

METALS - All raw metals; brass, copper, mild steel in their respective finishes are unsealed. Metals in a raw, natural and unsealed state will oxidise and change in colour and tone. This is a completely natural process, therefore all our metal finishes will need to be maintained with an appropriate wax/crème, the application of which will build up a natural sealant over time. **Ferrograin**: a lightly textured matte paint finish.



LEATHER OPTIONS | COM AVAILABLE



METAL | DUCO



DESCRIPTION

Upholstered | Powdercoated Mild Steel / Mirror Polished Stainless Steel Frame Options

DIMENSIONS

740W x 895D x 850H mm | SEAT HEIGHT: 400 mm | 29.1W x 37D x 33.5H in | SEAT HEIGHT: 15.7 in

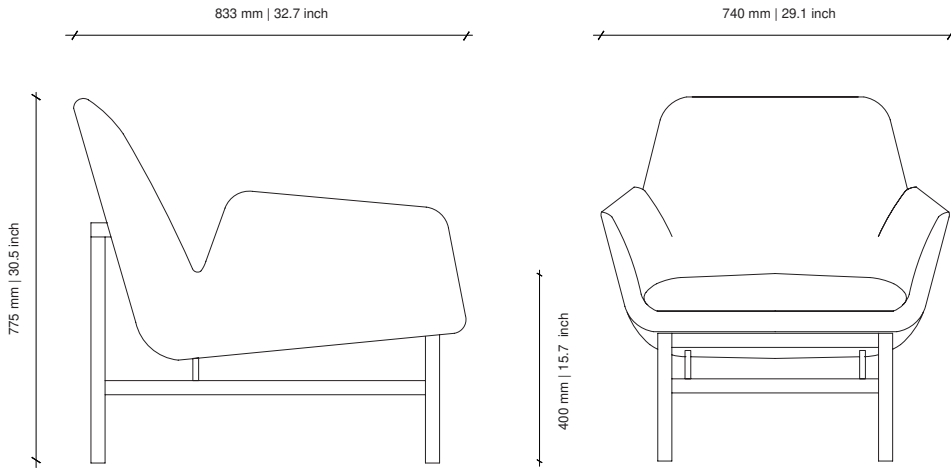
COM/COL

Fabric: 5m / 5.5yd

Leather: 8.75m² / 94.2sq ft

DISCLAIMERS:

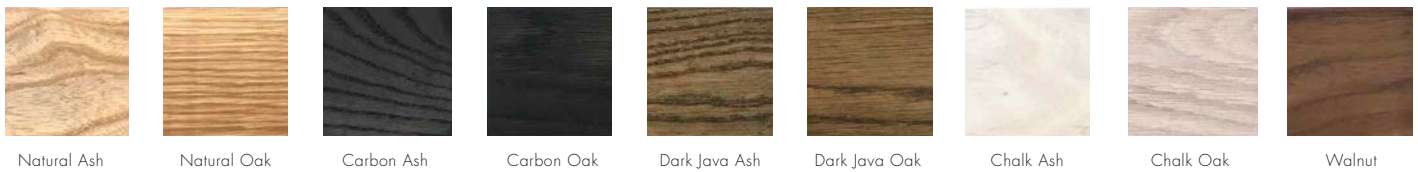
METALS - All raw metals; brass, copper, mild steel in their respective finishes are unsealed. Metals in a raw, natural and unsealed state will oxidise and change in colour and tone. This is a completely natural process, therefore all our metal finishes will need to be maintained with an appropriate wax/crème, the application of which will build up a natural sealant over time. **Ferrograin**: a lightly textured matte paint finish.



LEATHER OPTIONS | COM AVAILABLE



WOOD OPTIONS



DESCRIPTION

Upholstered | Ash / Oak / Walnut Frame Options

DIMENSIONS

740W x 833D x 775H mm | SEAT HEIGHT: 400 mm | 29.1W x 32.7D x 30.5H in | SEAT HEIGHT: 15.7 in

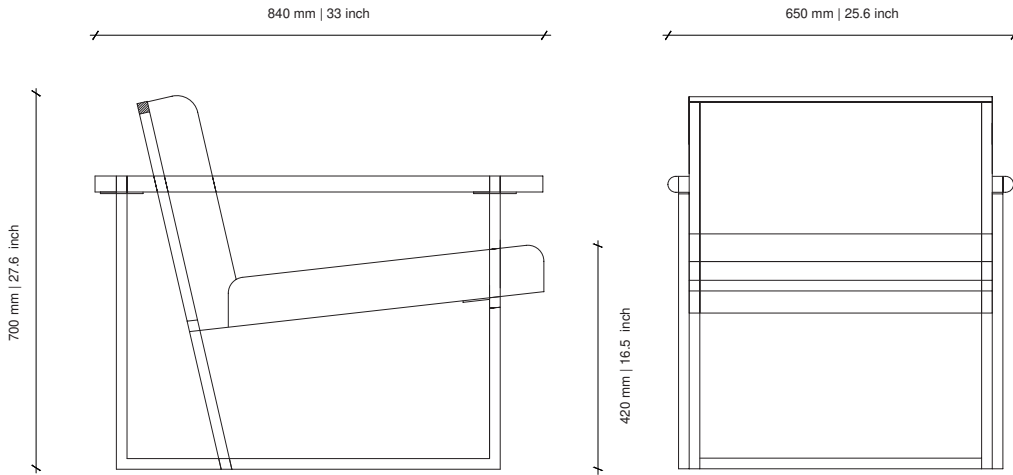
COM/COL

Fabric: 5m | 5.5yd

Leather: 8.75m² | 94.2sq ft

DISCLAIMERS:

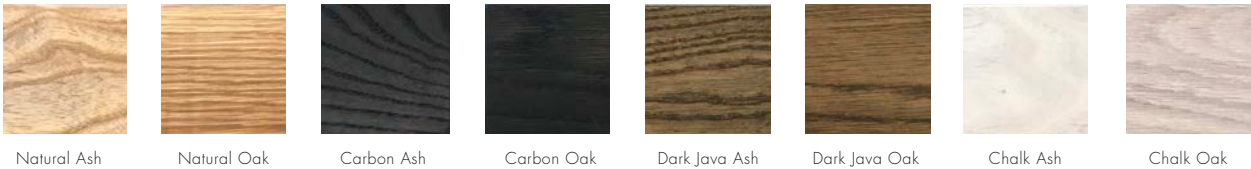
TIMBER - Different textures, grains, colouration and densities are all natural characteristics of timbers. We find these variances an inherent and valuable part of the natural beauty of wood, no two pieces are the same making each OKHA design a unique, characterful piece and each product will be different from the next. Timber movement will also occur as this is a natural product.



LEATHER OPTIONS | COM AVAILABLE



WOOD OPTIONS



METAL | DUCO



DESCRIPTION

Upholstered | Ash / Oak Arms Options | Powdercoated Mild Steel Frame Options

DIMENSIONS

650W x 840D x 700H mm | SEAT HEIGHT: 420 mm | 25.6W x 33D x 27.6H in | SEAT HEIGHT: 16.5 in

COM/COL

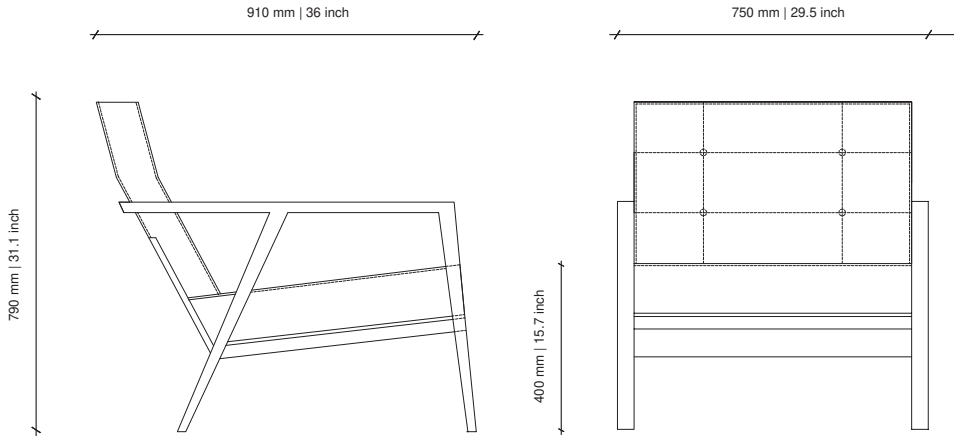
Fabric: 3.5m | 3.8yd

Leather: 6m² | 64.5sq ft

DISCLAIMERS:

TIMBER - Different textures, grains, colouration and densities are all natural characteristics of timbers. We find these variances an inherent and valuable part of the natural beauty of wood, no two pieces are the same making each OKHA design a unique, characterful piece and each product will be different from the next. Timber movement will also occur as this is a natural product.

METALS - All raw metals; brass, copper, mild steel in their respective finishes are unsealed. Metals in a raw, natural and unsealed state will oxidise and change in colour and tone. This is a completely natural process, therefore all our metal finishes will need to be maintained with an appropriate wax/crème, the application of which will build up a natural sealant over time. **Ferrograin**: a lightly textured matte paint finish.



LEATHER OPTIONS | COM AVAILABLE



WOOD OPTIONS



DESCRIPTION

Upholstered | Ash / Oak / Walnut Frame Options

DIMENSIONS

750W x 910D x 790H mm | SEAT HEIGHT 400 mm | 29.5W x 36D x 31.1H in | SEAT HEIGHT 15.7 in

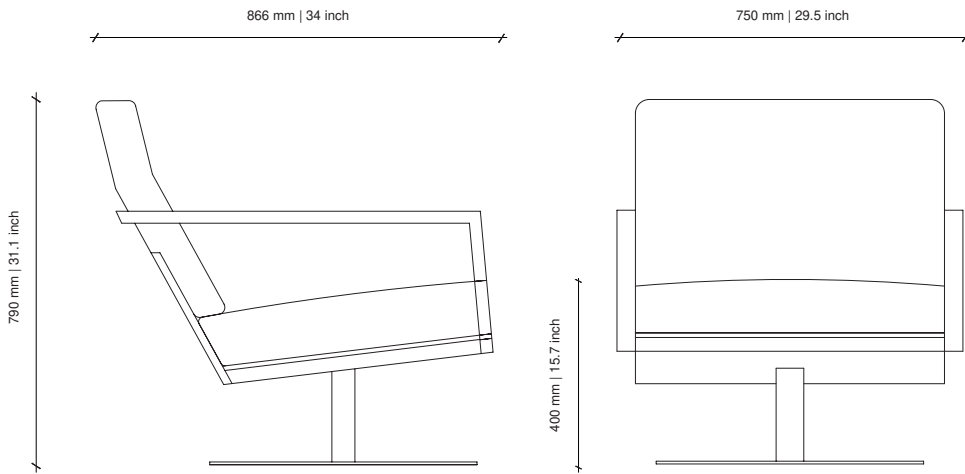
COM/COL

Fabric: 2.5m | 2.7yd

Leather: 5.4m² | 58.1sq ft

DISCLAIMERS:

TIMBER - Different textures, grains, colouration and densities are all natural characteristics of timbers. We find these variances an inherent and valuable part of the natural beauty of wood, no two pieces are the same making each OKHA design a unique, characterful piece and each product will be different from the next. Timber movement will also occur as this is a natural product.



LEATHER OPTIONS | COM AVAILABLE



WOOD OPTIONS



METAL | DUCO



DESCRIPTION

Upholstered | Ash / Oak / Walnut / Powdercoated Mild Steel Swivel Base Options

DIMENSIONS

750W x 866D x 790H mm | SEAT HEIGHT: 400 mm | 29.5W x 34D x 31.1H in | SEAT HEIGHT: 15.7 in

COM/COL

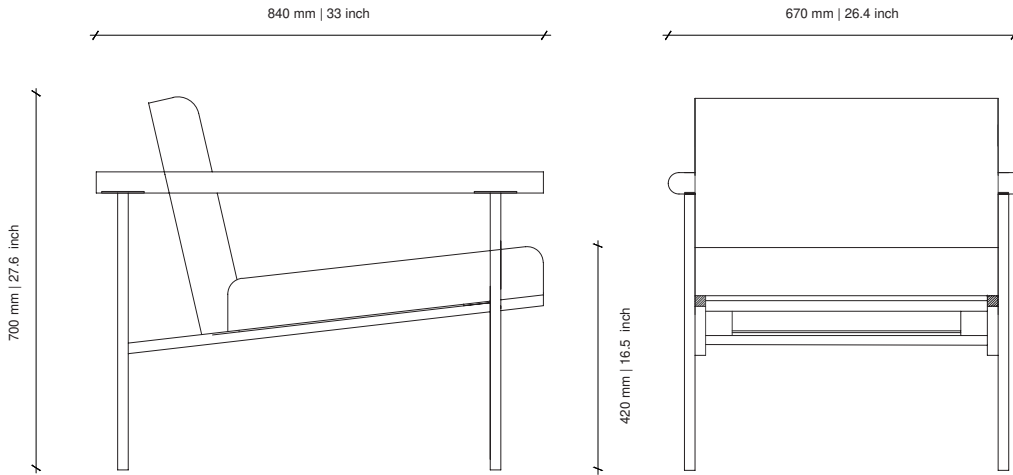
Fabric: 2.5m | 2.7yd

Leather: 5.4m² | 58.1sq ft

DISCLAIMERS:

TIMBER - Different textures, grains, colouration and densities are all natural characteristics of timbers. We find these variances an inherent and valuable part of the natural beauty of wood, no two pieces are the same making each OKHA design a unique, characterful piece and each product will be different from the next. Timber movement will also occur as this is a natural product.

METALS - All raw metals; brass, copper, mild steel in their respective finishes are unsealed. Metals in a raw, natural and unsealed state will oxidise and change in colour and tone. This is a completely natural process, therefore all our metal finishes will need to be maintained with an appropriate wax/crème, the application of which will build up a natural sealant over time. **Ferrograin**: a lightly textured matte paint finish.



LEATHER OPTIONS | COM AVAILABLE



WOOD OPTIONS



METAL | DUCO



DESCRIPTION

Upholstered | Ash / Oak / Walnut / Powdercoated Mild Steel Frame Options

DIMENSIONS

670W x 840D x 700H mm | SEAT HEIGHT: 420 mm | 26.4W x 33D x 27.6H in | SEAT HEIGHT: 16.5 in

COM/COL

Fabric: 3.5m | 3.8yd

Leather: 6m² | 64.6sq ft

DISCLAIMERS:

TIMBER - Different textures, grains, colouration and densities are all natural characteristics of timbers. We find these variances an inherent and valuable part of the natural beauty of wood, no two pieces are the same making each OKHA design a unique, characterful piece and each product will be different from the next. Timber movement will also occur as this is a natural product.

METALS - All raw metals; brass, copper, mild steel in their respective finishes are unsealed. Metals in a raw, natural and unsealed state will oxidise and change in colour and tone. This is a completely natural process, therefore all our metal finishes will need to be maintained with an appropriate wax/crème, the application of which will build up a natural sealant over time. **Ferrograin**: a lightly textured matte paint finish.