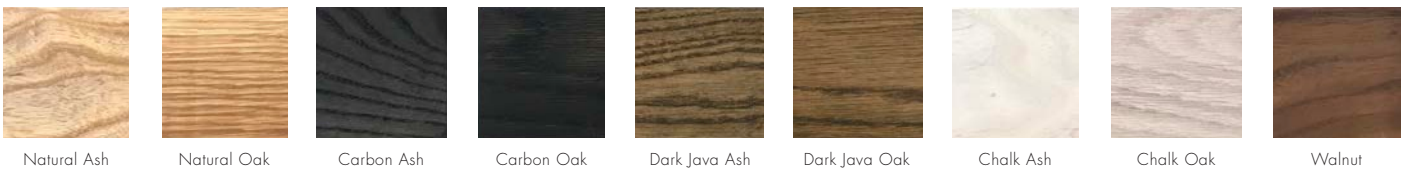


### LEATHER OPTIONS | COM AVAILABLE



### WOOD OPTIONS



### DESCRIPTION

Upholstered | Ash / Oak / Walnut Frame Options

### DIMENSIONS

510W x 560D x 1020H mm | SEAT HEIGHT: 750 mm | 20.1W x 22D x 40.2H in | SEAT HEIGHT: 29.5 in

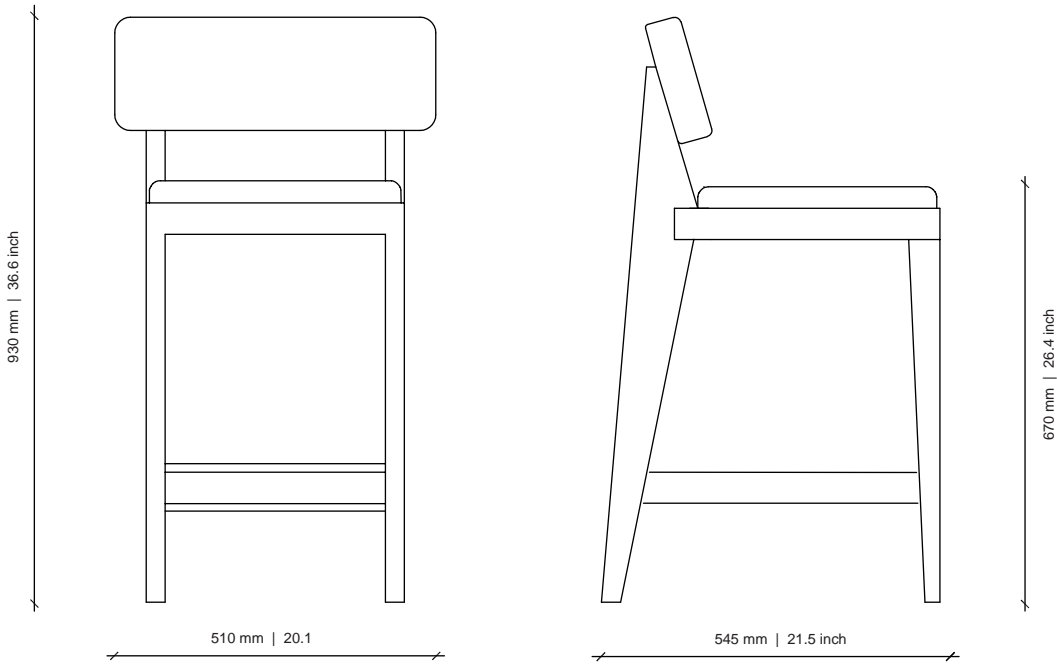
### COM/COL

Plain Fabric: 1m | 1yd

Leather: 1.8m<sup>2</sup> | 19.4sq ft

### DISCLAIMERS:

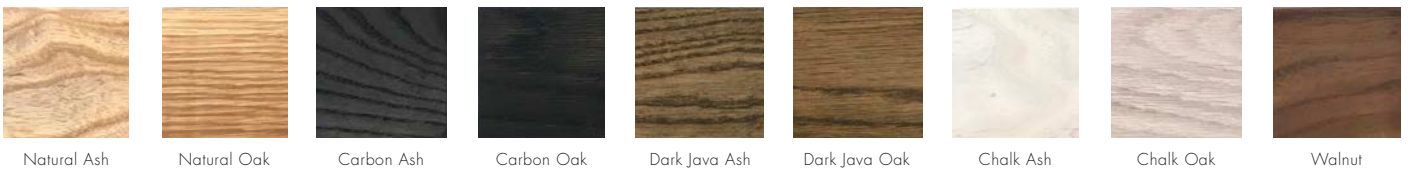
**TIMBER** - Different textures, grains, colouration and densities are all natural characteristics of timbers. We find these variances an inherent and valuable part of the natural beauty of wood, no two pieces are the same making each OKHA design a unique, characterful piece and each product will be different from the next. Timber movement will also occur as this is a natural product.



### LEATHER OPTIONS | COM AVAILABLE



### WOOD OPTIONS



### DESCRIPTION

Upholstered | Ash / Oak / Walnut Frame Options

### DIMENSIONS

510W x 545D x 930H mm | SEAT HEIGHT: 670 mm | 20.1W x 21.5D x 36.6H in | SEAT HEIGHT: 26.4 in

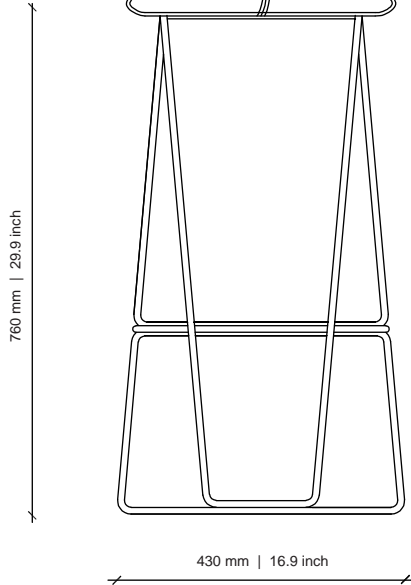
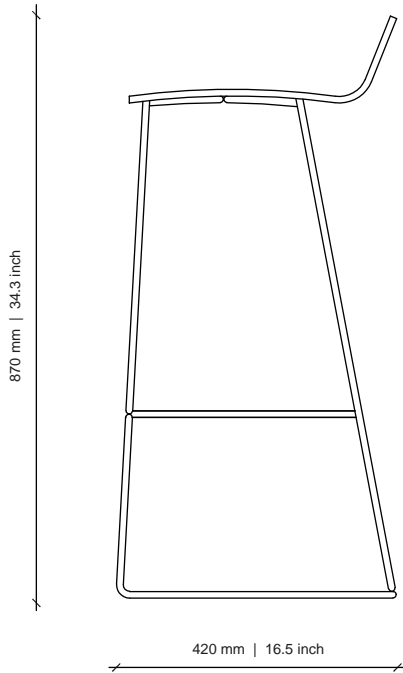
### COM/COL

Plain Fabric: 1m | 1yd

Leather: 1.8m<sup>2</sup> | 19.4sq ft

### DISCLAIMERS:

**TIMBER** - Different textures, grains, colouration and densities are all natural characteristics of timbers. We find these variances an inherent and valuable part of the natural beauty of wood, no two pieces are the same making each OKHA design a unique, characterful piece and each product will be different from the next. Timber movement will also occur as this is a natural product.



### LEATHER OPTIONS | COM AVAILABLE



### METAL | DUCO



### DESCRIPTION

Upholstered | Powdercoated Mild Steel Base

### DIMENSIONS

430W x 420D x 870H mm | SEAT HEIGHT: 760 mm | 16.9W x 16.5D x 34.3H in | SEAT HEIGHT: 29.9 in

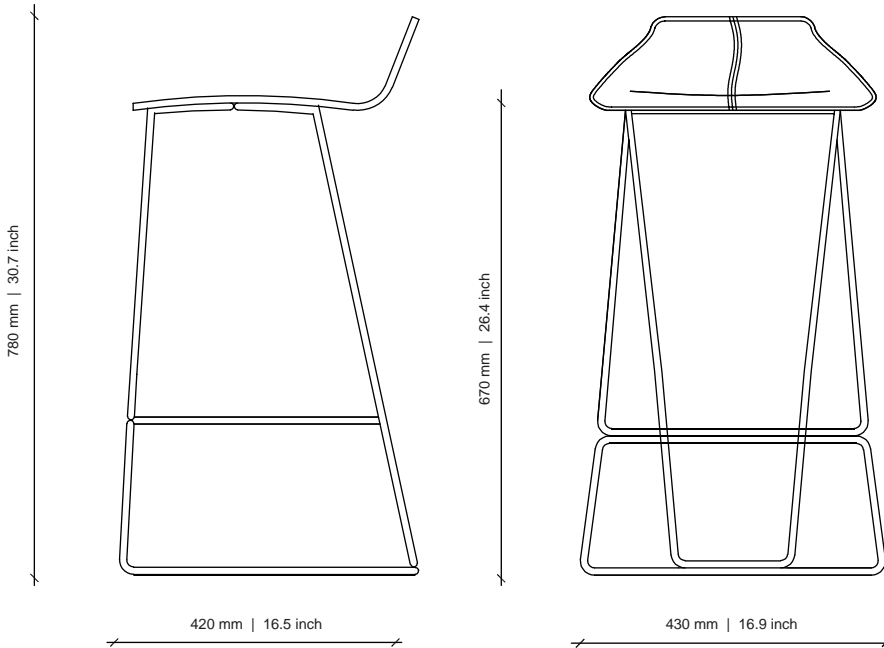
### COM/COL

Plain Fabric: 0.5m | 0.55yd

Leather: 0.85m<sup>2</sup> | 9.2sq ft

### DISCLAIMERS:

**METALS** - All raw metals; brass, copper, mild steel in their respective finishes are unsealed. Metals in a raw, natural and unsealed state will oxidise and change in colour and tone. This is a completely natural process, therefore all our metal finishes will need to be maintained with an appropriate wax/crème, the application of which will build up a natural sealant over time. **Ferrograin**: a lightly textured matte paint finish.



### LEATHER OPTIONS | COM AVAILABLE



### METAL | DUCO



### DESCRIPTION

Upholstered | Powdercoated Mild Steel Base

### DIMENSIONS

430W x 420D x 780H mm | SEAT HEIGHT: 670 mm | 16.9W x 16.5D x 30.7H in | SEAT HEIGHT: 26.4 in

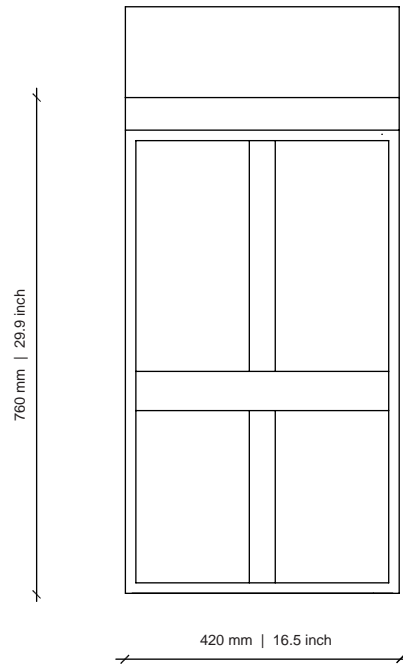
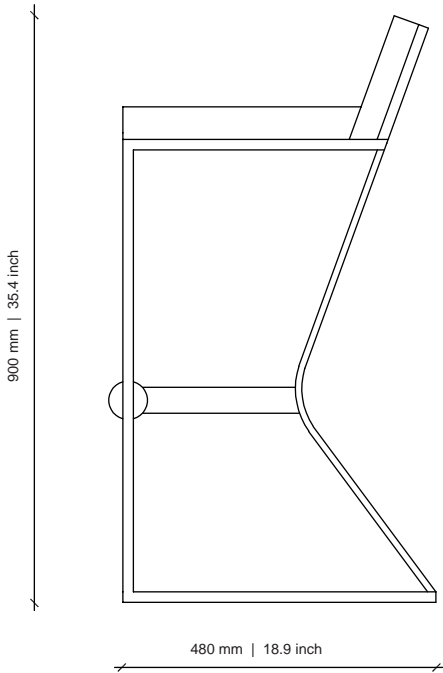
### COM/COL

Plain Fabric: 0.5m | 0.55yd

Leather: 0.85m<sup>2</sup> | 9.2sq ft

### DISCLAIMERS:

**METALS** - All raw metals; brass, copper, mild steel in their respective finishes are unsealed. Metals in a raw, natural and unsealed state will oxidise and change in colour and tone. This is a completely natural process, therefore all our metal finishes will need to be maintained with an appropriate wax/crème, the application of which will build up a natural sealant over time. **Ferrograin**: a lightly textured matte paint finish.



### LEATHER OPTIONS | COM AVAILABLE



### METAL | DUCO



### DESCRIPTION

Upholstered | Powdercoated Mild Steel Frame

### DIMENSIONS

420W x 480D x 900H mm | SEAT HEIGHT: 760 mm | 16.5W x 18.9D x 35.4H in | SEAT HEIGHT: 29.9 in

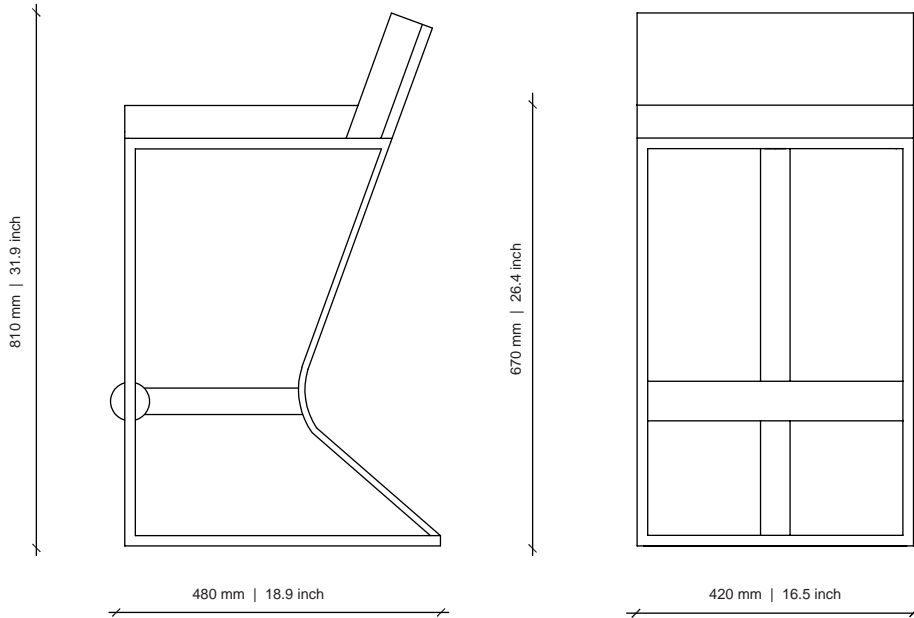
### COM/COL

Plain Fabric: 1.8m | 1.9yd

Leather: 2m<sup>2</sup> | 21.5sq ft

### DISCLAIMERS:

**METALS** - All raw metals; brass, copper, mild steel in their respective finishes are unsealed. Metals in a raw, natural and unsealed state will oxidise and change in colour and tone. This is a completely natural process, therefore all our metal finishes will need to be maintained with an appropriate wax/crème, the application of which will build up a natural sealant over time. **Ferrograin**: a lightly textured matte paint finish.



### LEATHER OPTIONS | COM AVAILABLE



### METAL | DUCO



### DESCRIPTION

Upholstered | Powdercoated Mild Steel Frame

### DIMENSIONS

420W x 480D x 810H mm | SEAT HEIGHT: 670 mm | 16.5W x 18.9D x 31.9H in | SEAT HEIGHT: 26.4 in

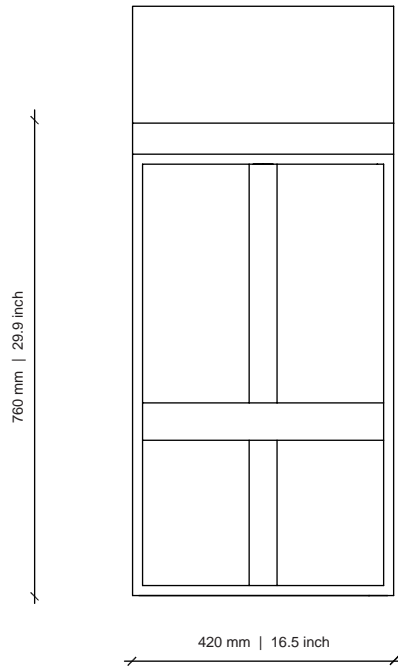
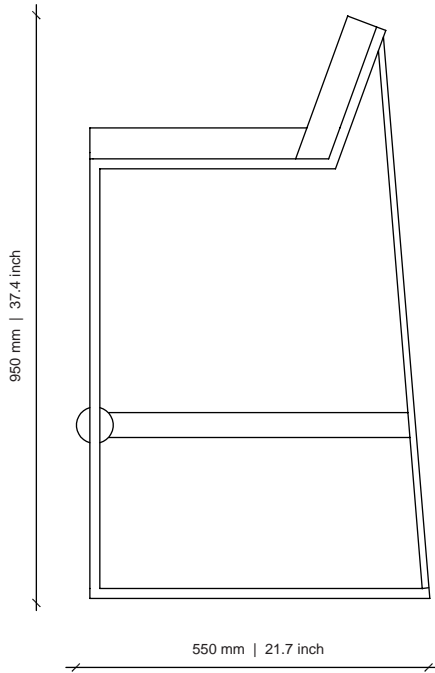
### COM/COL

Plain Fabric: 1.8m | 1.9yd

Leather: 2m<sup>2</sup> | 21.5sq ft

### DISCLAIMERS:

**METALS** - All raw metals; brass, copper, mild steel in their respective finishes are unsealed. Metals in a raw, natural and unsealed state will oxidise and change in colour and tone. This is a completely natural process, therefore all our metal finishes will need to be maintained with an appropriate wax/crème, the application of which will build up a natural sealant over time. **Ferrograin**: a lightly textured matte paint finish.



### LEATHER OPTIONS | COM AVAILABLE



Black

Mocca

Navy

Straw

Anthracite

Elephant

Oyster

Latte

White

### METAL | DUCO



Black  
HighGloss

Black Ferrograin

Saddle Wood  
Ferrograin

Light Grey  
HighGloss

Charcoal Satin

Light Grey  
Ferrograin

White  
Ferrograin

Satin White

### DESCRIPTION

Upholstered | Powdercoated Mild Steel Frame

### DIMENSIONS

420W x 550D x 950H mm | SEAT HEIGHT 760 mm | 16.5W x 21.7D x 37.4H in | SEAT HEIGHT 29.9 in

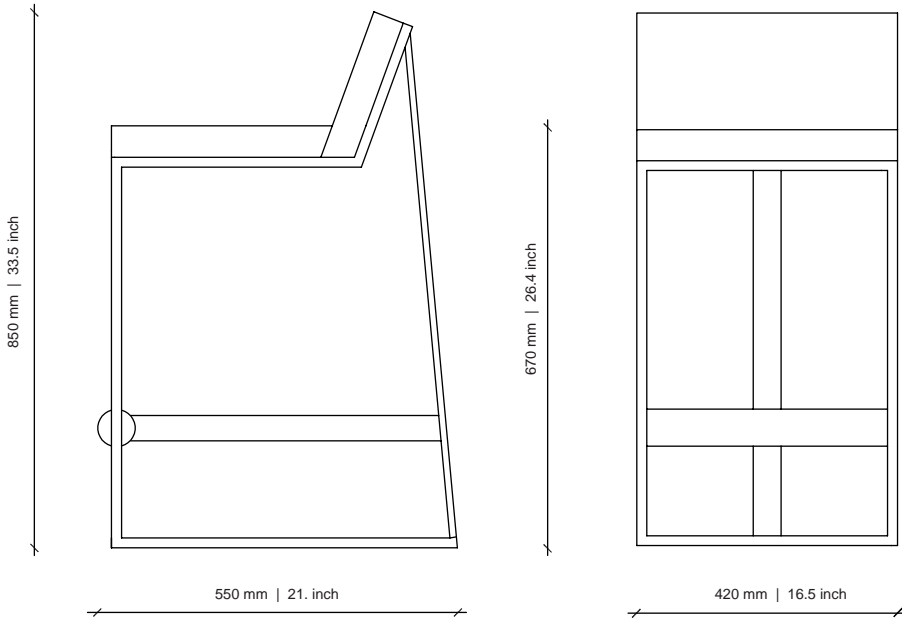
### COM/COL

Plain Fabric: 1.8m | 1.9yd

Leather: 2m<sup>2</sup> | 21.5sq ft

### DISCLAIMERS:

**METALS** - All raw metals; brass, copper, mild steel in their respective finishes are unsealed. Metals in a raw, natural and unsealed state will oxidise and change in colour and tone. This is a completely natural process, therefore all our metal finishes will need to be maintained with an appropriate wax/crème, the application of which will build up a natural sealant over time. **Ferrograin**: a lightly textured matte paint finish.



### LEATHER OPTIONS | COM AVAILABLE



### METAL | DUCO



### DESCRIPTION

Upholstered | Powdercoated Mild Steel Frame

### DIMENSIONS

420W x 550D x 850H mm | SEAT HEIGHT: 670 mm | 16.5W x 21.7D x 33.5H in | SEAT HEIGHT: 26.4 in

### COM/COL

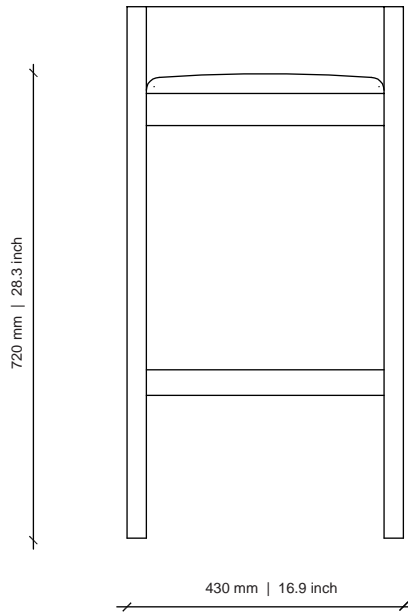
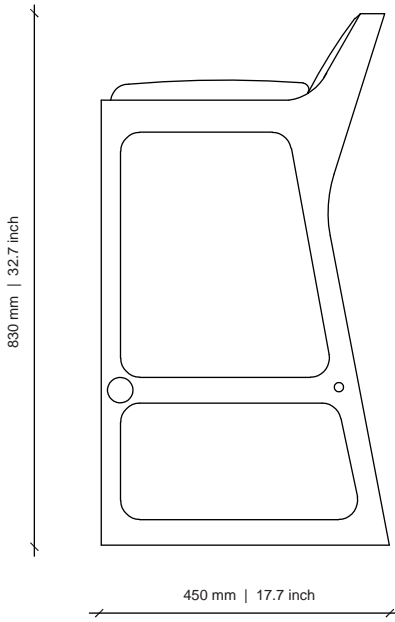
Plain Fabric: 1.8m | 1.9yd

Leather: 2m<sup>2</sup> | 21.5sq ft

### DISCLAIMERS:

**METALS** - All raw metals; brass, copper, mild steel in their respective finishes are unsealed. Metals in a raw, natural and unsealed state will oxidise and change in colour and tone. This is a completely natural process, therefore all our metal finishes will need to be maintained with an appropriate wax/crème, the application of which will build up a natural sealant over time. **Ferrograin**: a lightly textured matte paint finish.





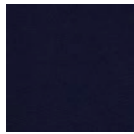
### LEATHER OPTIONS | COM AVAILABLE



Black



Mocca



Navy



Straw



Anthracite



Elephant



Oyster

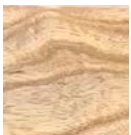


Latte

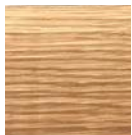


White

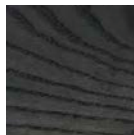
### WOOD OPTIONS



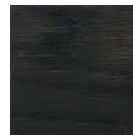
Natural Ash



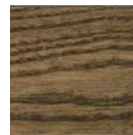
Natural Oak



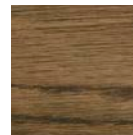
Carbon Ash



Carbon Oak



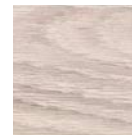
Dark Java Ash



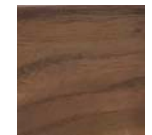
Dark Java Oak



Chalk Ash

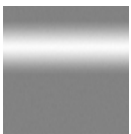


Chalk Oak



Walnut

### METAL FINISHES



Stainless Steel

### DESCRIPTION

Upholstered | Ash / Oak / Walnut Frame Options | Stainless Steel Footrest

### DIMENSIONS

430W x 450D x 830H mm | SEAT HEIGHT: 720 mm | 16.9W x 17.7D x 32.7H in | SEAT HEIGHT: 28.3 in

### COM/COL

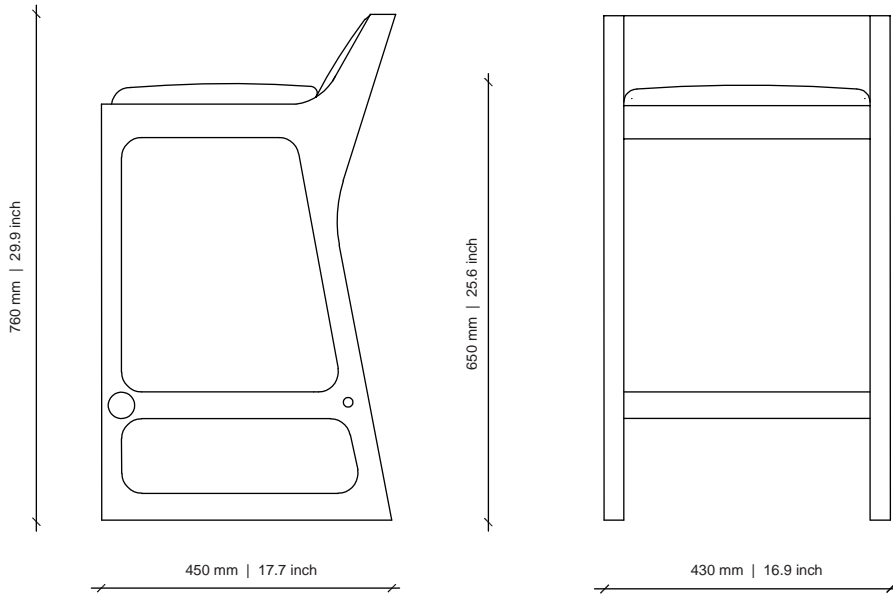
Plain Fabric: 0.5m | 0.55yd

Leather: 0.9m<sup>2</sup> | 8.6sq ft

### DISCLAIMERS:

**TIMBER** - Different textures, grains, colouration and densities are all natural characteristics of timbers. We find these variances an inherent and valuable part of the natural beauty of wood, no two pieces are the same making each OKHA design a unique, characterful piece and each product will be different from the next. Timber movement will also occur as this is a natural product.

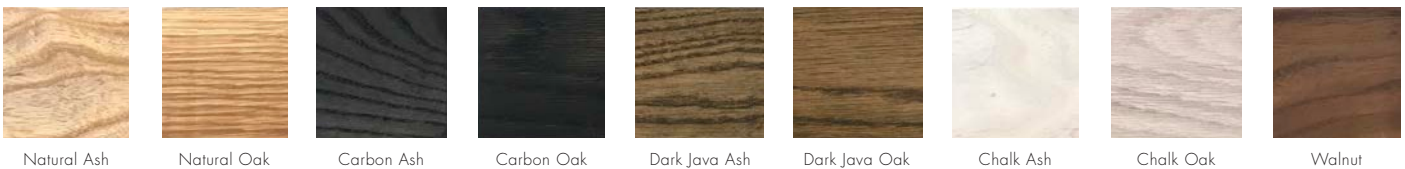
**METALS** - All raw metals; brass, copper, mild steel in their respective finishes are unsealed. Metals in a raw, natural and unsealed state will oxidise and change in colour and tone. This is a completely natural process, therefore all our metal finishes will need to be maintained with an appropriate wax/crème, the application of which will build up a natural sealant over time. **Ferrogain**: a lightly textured matte paint finish.



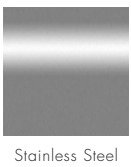
### LEATHER OPTIONS | COM AVAILABLE



### WOOD OPTIONS



### METAL FINISHES



### DESCRIPTION

Upholstered | Ash / Oak / Walnut Frame Options | Stainless Steel Footrest

### DIMENSIONS

430W x 450D x 760H mm | SEAT HEIGHT: 650 mm | 16.9W x 17.7D x 29.9H in | SEAT HEIGHT: 25.6 in

### COM/COL

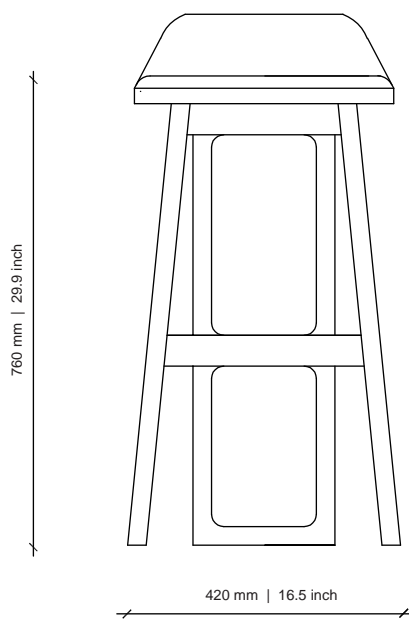
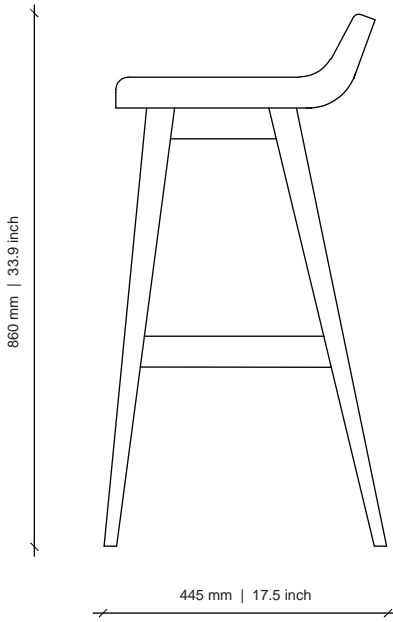
Plain Fabric: 0.5m | 0.55yd

Leather: 0.9m<sup>2</sup> | 9.6ft<sup>2</sup>

### DISCLAIMERS:

**TIMBER** - Different textures, grains, colouration and densities are all natural characteristics of timbers. We find these variances an inherent and valuable part of the natural beauty of wood, no two pieces are the same making each OKHA design a unique, characterful piece and each product will be different from the next. Timber movement will also occur as this is a natural product.

**METALS** - All raw metals; brass, copper, mild steel in their respective finishes are unsealed. Metals in a raw, natural and unsealed state will oxidise and change in colour and tone. This is a completely natural process, therefore all our metal finishes will need to be maintained with an appropriate wax/crème, the application of which will build up a natural sealant over time. **Ferrogain**: a lightly textured matte paint finish.



## LEATHER OPTIONS | COM AVAILABLE



## WOOD OPTIONS



## DESCRIPTION

Upholstered | Ash / Oak / Walnut Base Options

## DIMENSIONS

420W x 445D x 860H mm | SEAT HEIGHT: 760 mm | 16.5W x 17.5D x 33.9H in | SEAT HEIGHT: 29.9 in

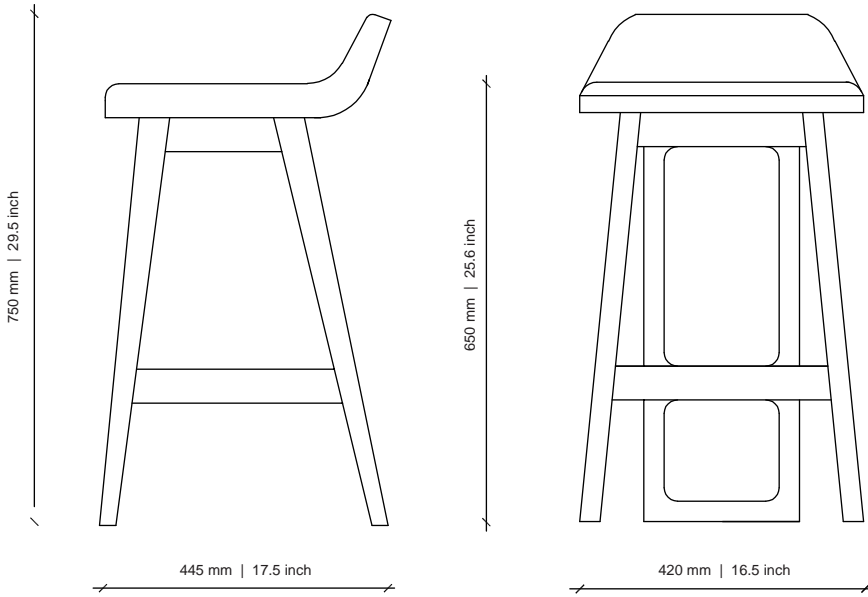
## COM/COL

Plain Fabric: 0.75m | 0.8yd

Leather: 1.4m<sup>2</sup> | 15.1sq ft

## DISCLAIMERS:

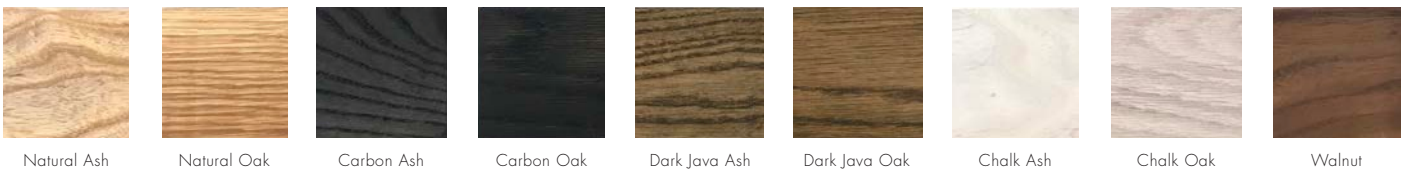
**TIMBER** - Different textures, grains, colouration and densities are all natural characteristics of timbers. We find these variances an inherent and valuable part of the natural beauty of wood, no two pieces are the same making each OKHA design a unique, characterful piece and each product will be different from the next. Timber movement will also occur as this is a natural product.



### LEATHER OPTIONS | COM AVAILABLE



### WOOD OPTIONS



### DESCRIPTION

Upholstered | Ash / Oak / Walnut Base Options

### DIMENSIONS

420W x 445D x 750H mm | SEAT HEIGHT: 650 mm | 16.5W x 17.5D x 29.5H in | SEAT HEIGHT: 25.6 in

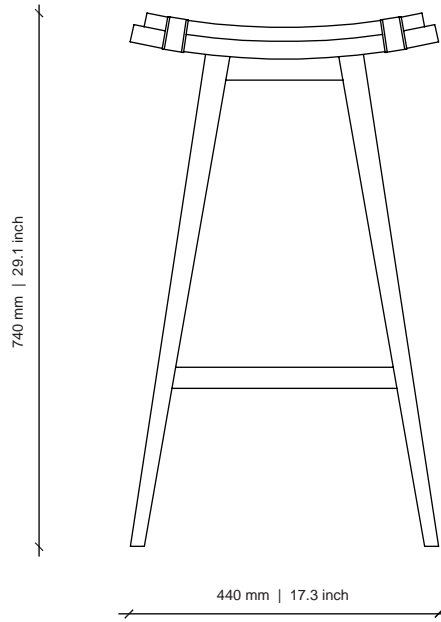
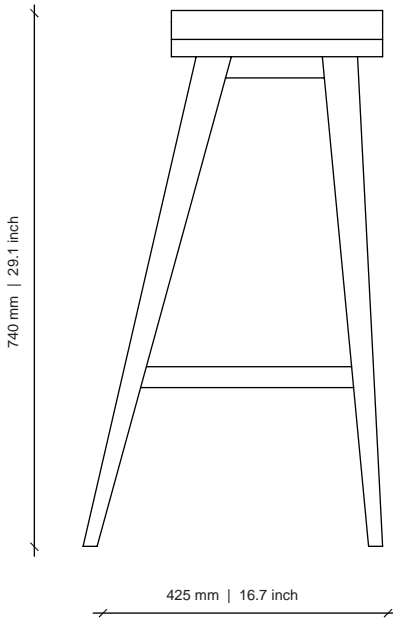
### COM/COL

Plain Fabric: 0.75m | 0.8yd

Leather: 1.4m<sup>2</sup> | 15.1ft<sup>2</sup>

### DISCLAIMERS:

**TIMBER** - Different textures, grains, colouration and densities are all natural characteristics of timbers. We find these variances an inherent and valuable part of the natural beauty of wood, no two pieces are the same making each OKHA design a unique, characterful piece and each product will be different from the next. Timber movement will also occur as this is a natural product.



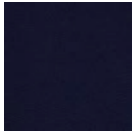
### LEATHER OPTIONS | COM AVAILABLE



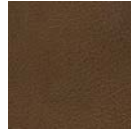
Black



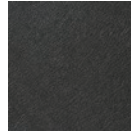
Mocca



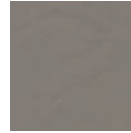
Navy



Straw



Anthracite



Elephant



Oyster



Latte

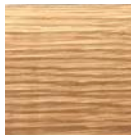


White

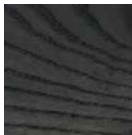
### WOOD OPTIONS



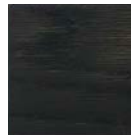
Natural Ash



Natural Oak



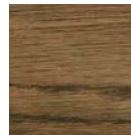
Carbon Ash



Carbon Oak



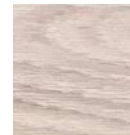
Dark Java Ash



Dark Java Oak



Chalk Ash



Chalk Oak



Walnut

### DESCRIPTION

Upholstered | Ash / Oak / Walnut Base Options

### DIMENSIONS

440W x 425D x 740H mm | 17.3W x 16.7D x 29.1H in

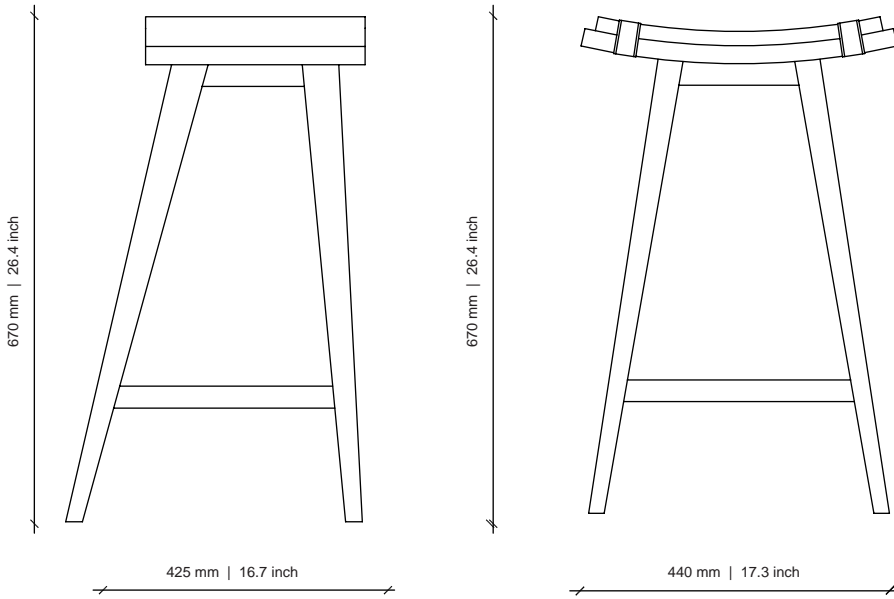
### COM/COL

Plain Fabric: 1.6m | 1.7yd

Leather: 2m<sup>2</sup> | 21.5sq ft

### DISCLAIMERS:

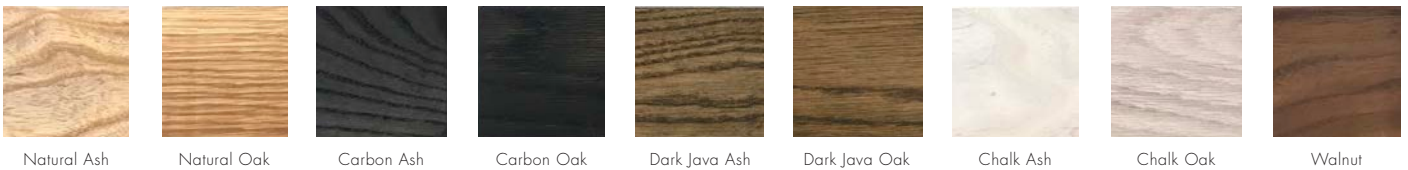
**TIMBER** - Different textures, grains, colouration and densities are all natural characteristics of timbers. We find these variances an inherent and valuable part of the natural beauty of wood, no two pieces are the same making each OKHA design a unique, characterful piece and each product will be different from the next. Timber movement will also occur as this is a natural product.



### LEATHER OPTIONS | COM AVAILABLE



### WOOD OPTIONS



### DESCRIPTION

Upholstered | Ash / Oak / Walnut Base Options

### DIMENSIONS

440W x 425D x 670H mm | 17.3W x 16.7D x 26.4H in

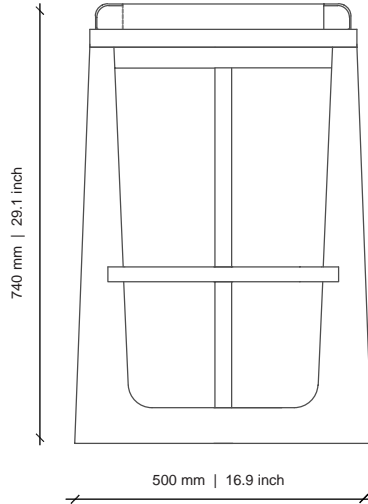
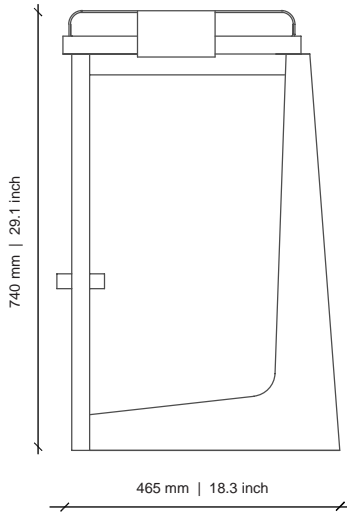
### COM/COL

Plain Fabric: 1.6m | 1.7yd

Leather: 2m<sup>2</sup> | 21.5sq ft

### DISCLAIMERS:

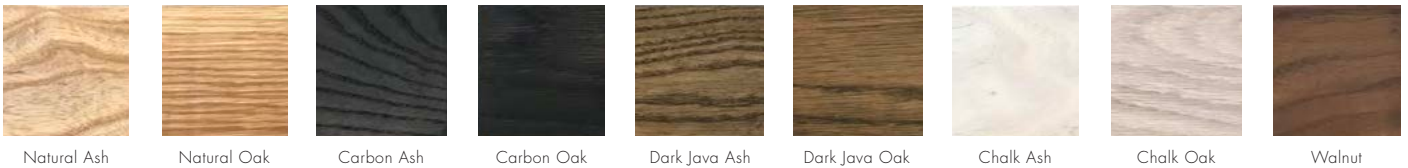
**TIMBER** - Different textures, grains, colouration and densities are all natural characteristics of timbers. We find these variances an inherent and valuable part of the natural beauty of wood, no two pieces are the same making each OKHA design a unique, characterful piece and each product will be different from the next. Timber movement will also occur as this is a natural product.



### LEATHER OPTIONS | COM AVAILABLE



### WOOD OPTIONS



### DESCRIPTION

Upholstered | Ash / Oak / Walnut Frame Options

### DIMENSIONS

500W x 465D x 740H mm | SEAT HEIGHT: 740 mm | 16.9W x 18.3D x 29.1H in | SEAT HEIGHT: 29.1 in

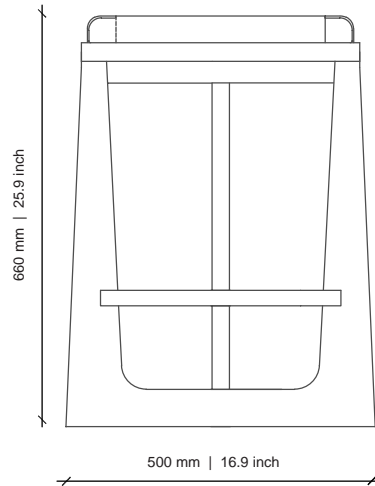
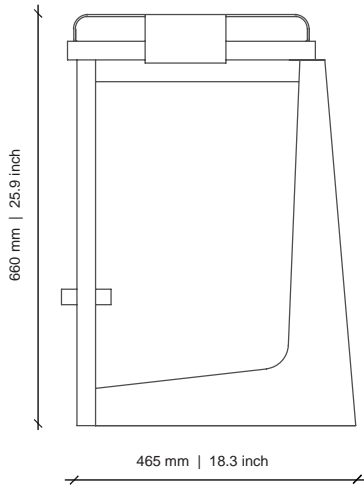
### COM/COL

Plain Fabric: 1m | 0.55yd

Leather: 1.6m<sup>2</sup> | 8.6sq ft

### DISCLAIMERS:

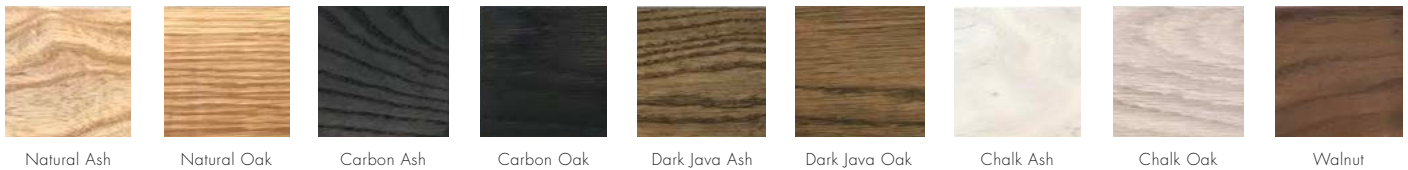
**METALS** - All raw metals; brass, copper, mild steel in their respective finishes are unsealed. Metals in a raw, natural and unsealed state will oxidise and change in colour and tone. This is a completely natural process, therefore all our metal finishes will need to be maintained with an appropriate wax/crème, the application of which will build up a natural sealant over time. **Ferrogain**: a lightly textured matte paint finish.



### LEATHER OPTIONS | COM AVAILABLE



### WOOD OPTIONS



### DESCRIPTION

Upholstered | Ash / Oak / Walnut Frame Options

### DIMENSIONS

500W x 465D x 660H mm | SEAT HEIGHT: 660 mm | 16.9W x 18.3D x 25.9H in | SEAT HEIGHT: 25.9 in

### COM/COL

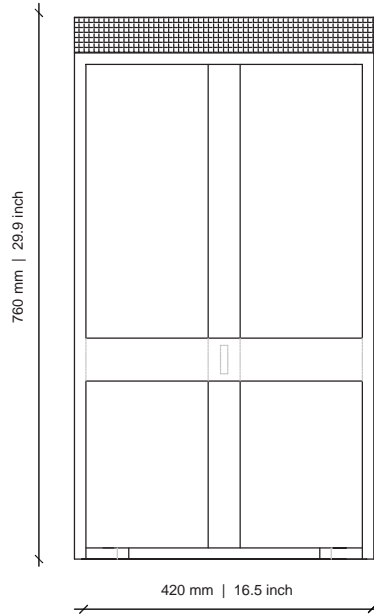
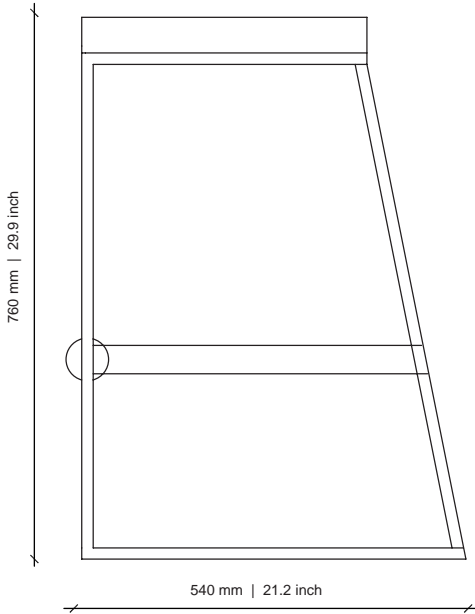
Plain Fabric: 1m | 0.55yd

Leather: 1.6m<sup>2</sup> | 8.6sq ft

### DISCLAIMERS:

**METALS** - All raw metals; brass, copper, mild steel in their respective finishes are unsealed. Metals in a raw, natural and unsealed state will oxidise and change in colour and tone. This is a completely natural process, therefore all our metal finishes will need to be maintained with an appropriate wax/crème, the application of which will build up a natural sealant over time. **Ferrogain**: a lightly textured matte paint finish.





### LEATHER OPTIONS | COM AVAILABLE



Black

Mocca

Navy

Straw

Anthracite

Elephant

Oyster

Latte

White

### METAL | DUCO



Black  
HighGloss

Black Ferrograin

Saddle Wood  
Ferrograin

Light Grey  
HighGloss

Charcoal Satin

Light Grey  
Ferrograin

White  
Ferrograin

Satin White

### DESCRIPTION

Upholstered | Powdercoated Mild Steel Frame

### DIMENSIONS

420W x 540D x 760H mm | SEAT HEIGHT 760 mm | 16.5W x 21.2D x 29.9H in | SEAT HEIGHT 29.9 in

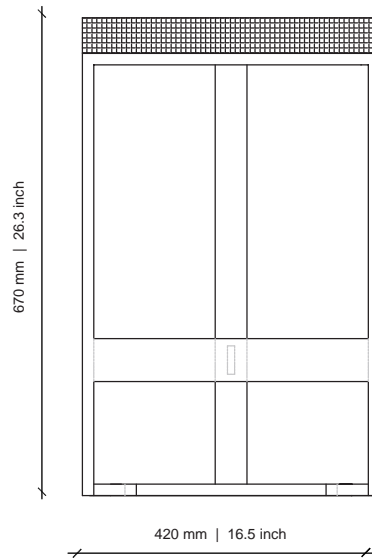
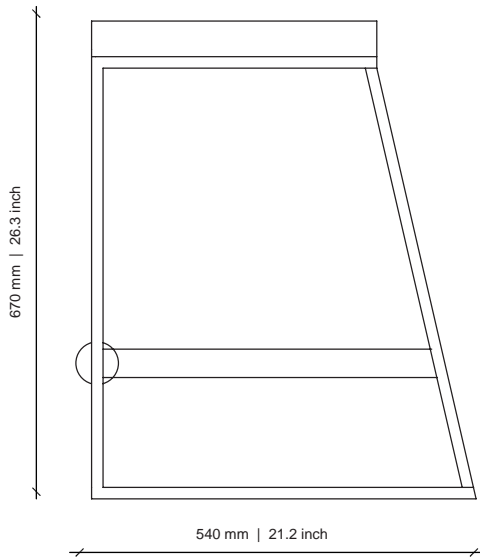
### COM/COL

Plain Fabric: 0.6m | 0.65yd

Leather: 1.2m<sup>2</sup> | 12.91sq ft

### DISCLAIMERS:

**METALS** - All raw metals; brass, copper, mild steel in their respective finishes are unsealed. Metals in a raw, natural and unsealed state will oxidise and change in colour and tone. This is a completely natural process, therefore all our metal finishes will need to be maintained with an appropriate wax/crème, the application of which will build up a natural sealant over time. **Ferrograin**: a lightly textured matte paint finish.



### LEATHER OPTIONS | COM AVAILABLE



Black

Mocca

Navy

Straw

Anthracite

Elephant

Oyster

Latte

White

### METAL | DUCO



Black  
HighGloss

Black Ferrograin

Saddle Wood  
Ferrograin

Light Grey  
HighGloss

Charcoal Satin

Light Grey  
Ferrograin

White  
Ferrograin

Satin White

### DESCRIPTION

Upholstered | Powdercoated Mild Steel Frame

### DIMENSIONS

420W x 540D x 670H mm | SEAT HEIGHT: 670 mm | 16.5W x 21.2D x 26.3H in | SEAT HEIGHT: 26.4 in

### COM/COL

Plain Fabric: 0.6m | 0.65yd

Leather: 1.2m<sup>2</sup> | 12.91sq ft

### DISCLAIMERS:

**METALS** - All raw metals; brass, copper, mild steel in their respective finishes are unsealed. Metals in a raw, natural and unsealed state will oxidise and change in colour and tone. This is a completely natural process, therefore all our metal finishes will need to be maintained with an appropriate wax/crème, the application of which will build up a natural sealant over time. **Ferrograin**: a lightly textured matte paint finish.