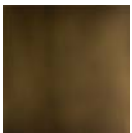


METAL OPTIONS



Brushed Oxidised
Brass



Polished Brass



Sanded &
Brushed Brass

WOOD OPTIONS



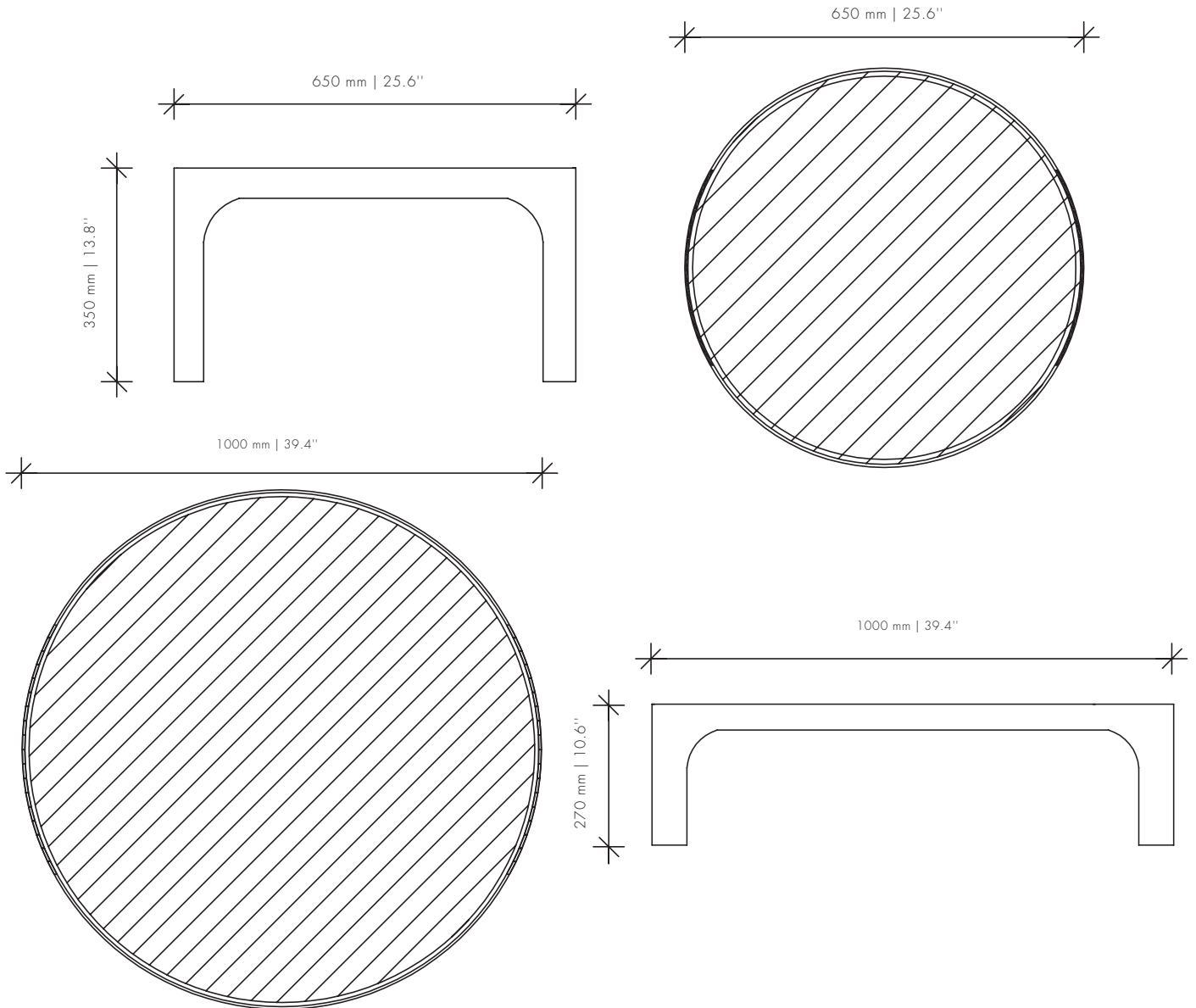
French Oak

DESCRIPTION

Brass Frame | French Oak Top

DIMENSIONS

1120W x 885D x 280H mm | 44.1W x 34.8D x 11H in



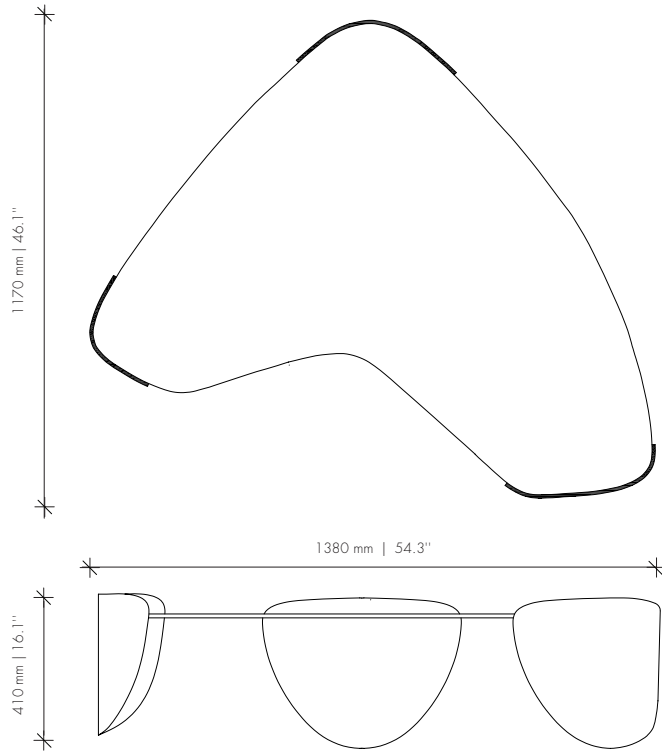
DESCRIPTION

Powdercoated Mild Steel | Clear / Grey / Bronze Glass Insert / Marble Insert Options

DIMENSIONS

SMALL: 650DIA x 350H mm | 25.6DIA x 13.8H in

LARGE: 1000DIA x 270H mm | 39.4DIA x 10.6H in



METAL OPTIONS



Mild Steel



Mirror Polished
Stainless Steel

DESCRIPTION

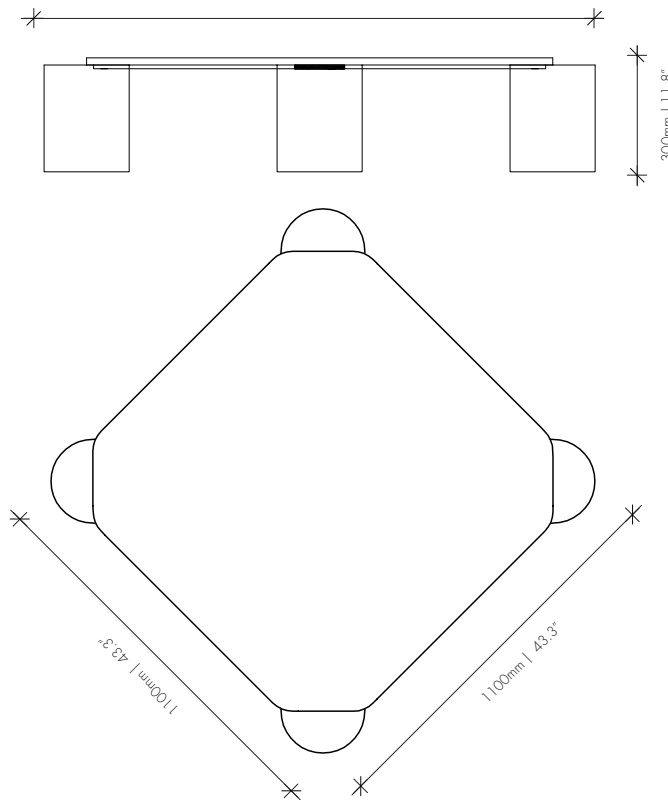
Patinated Aluminium / Patinated Blue Black Mild Steel Frame Options

DIMENSIONS

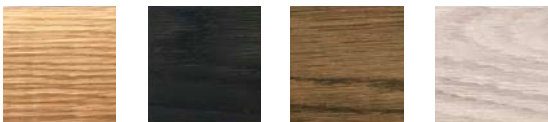
1380W x 1170D x 410H mm | 54.3W x 46.1D x 16.1H in

DISCLAIMERS:

METALS - All raw metals; brass, copper, mild steel in their respective finishes are unsealed. Metals in a raw, natural and unsealed state will oxidise and change in colour and tone. This is a completely natural process, therefore all our metal finishes will need to be maintained with an appropriate wax/crème, the application of which will build up a natural sealant over time. **Ferrogain**: a lightly textured matte paint finish.



WOOD OPTIONS



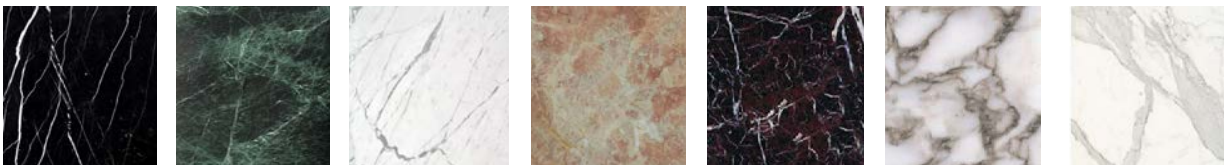
Natural Oak

Carbon Oak

Dark Java Oak

Chalk Oak

MARBLE OPTIONS



Nero Marquina (1)

Verde Guatemala (1)

Carrara (2)

Crema Rosa (2)

Rosso Levante (2)

Arabescato Vagli (3)

Calacatta Venato (3)

DESCRIPTION

Wire Brushed Oak Base | Marble Top Options

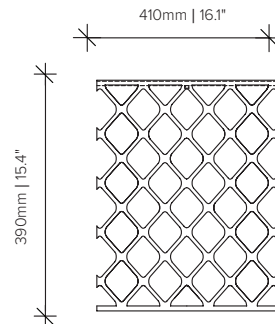
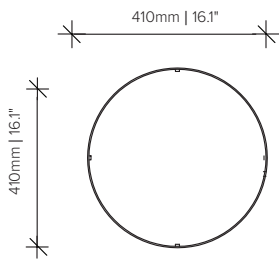
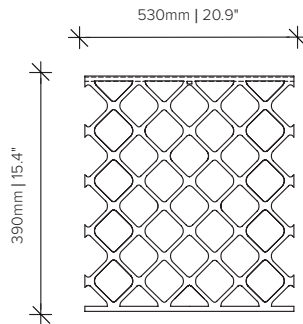
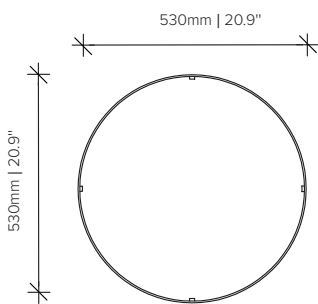
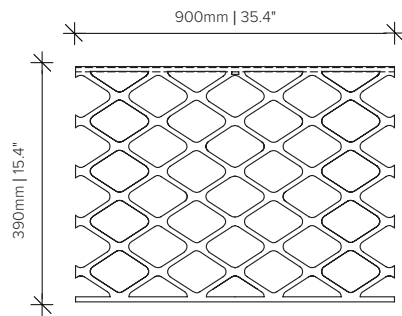
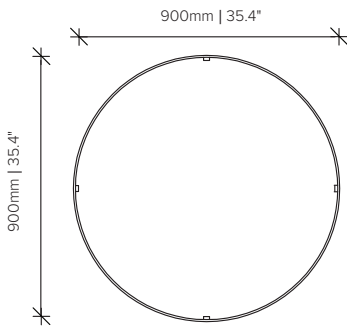
DIMENSIONS

1100W x 1100D x 300H mm | 43.3W x 43.3D x 11.8H in

DISCLAIMERS:

TIMBER - Different textures, grains, colouration and densities are all natural characteristics of timbers. We find these variances an inherent and valuable part of the natural beauty of wood, no two pieces are the same making each OKHA design a unique, characterful piece and each product will be different from the next. Timber movement will also occur as this is a natural product.

MARBLE, STONE, GRANITE - Each slab of these natural materials vary in colour, tone, movement and veining; we find these variances an inherent and valuable part of the natural beauty of stone, no two pieces are the same making each OKHA design a unique, characterful piece and each product will be different from the next. We choose materials individually, taking full advantage of their natural imperfections and individual qualities.



METAL OPTIONS



Mirror Polished
Stainless Steel

DESCRIPTION

Clear / Grey / Bronze Mirror Glass Insert Options | Mirror Polished Stainless Steel Frame

DIMENSIONS

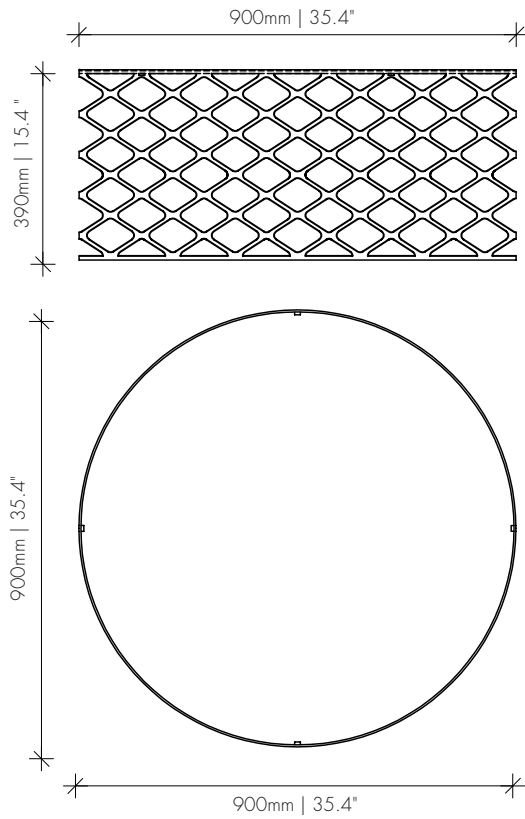
LARGE: 900DIA x 390H mm | 35.4DIA x 15.4H in

MEDIUM: 530DIA x 390H mm | 20.9DIA x 15.4H in

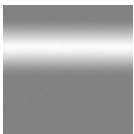
SMALL: 410DIA x 390H mm | 16.1DIA x 15.4H in

DISCLAIMERS:

METALS - All raw metals; brass, copper, mild steel in their respective finishes are unsealed. Metals in a raw, natural and unsealed state will oxidise and change in colour and tone. This is a completely natural process, therefore all our metal finishes will need to be maintained with an appropriate wax/crème, the application of which will build up a natural sealant over time. **Ferrogain**: a lightly textured matte paint finish.



METAL OPTIONS



Mirror Polished
Stainless Steel

DESCRIPTION

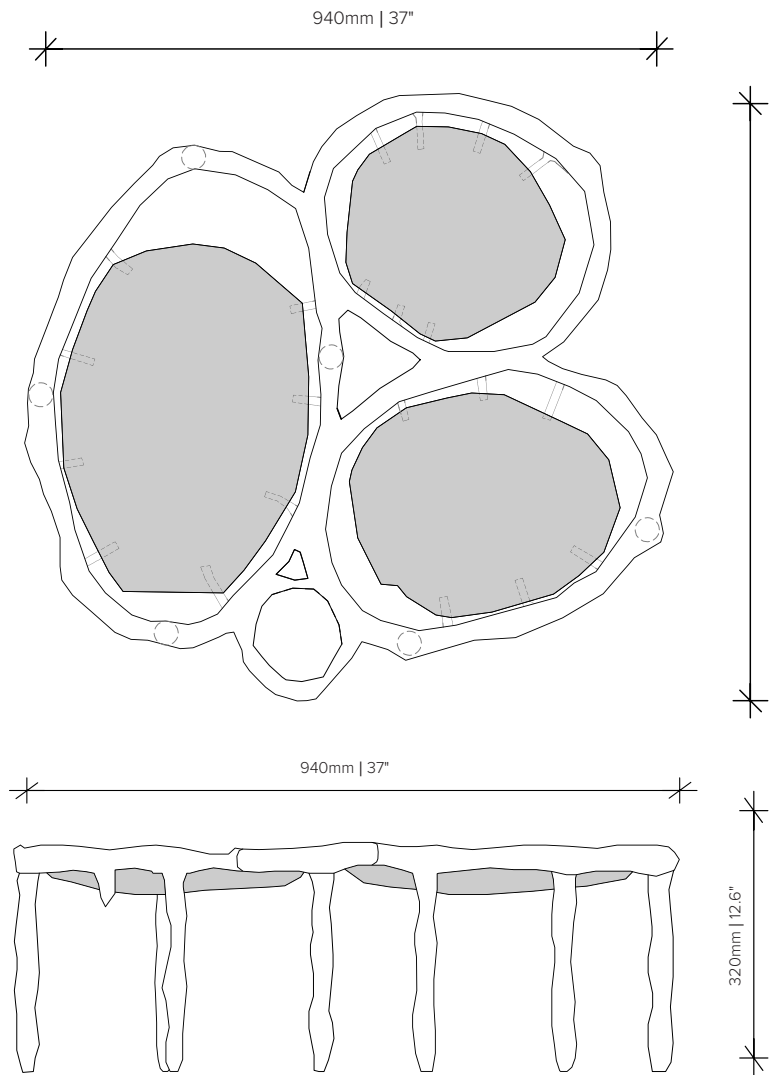
Clear / Grey / Bronze Mirror Glass Insert Options | Mirror Polished Stainless Steel Frame

DIMENSIONS

LARGE: 900DIA x 390H mm | 35.4DIA x 15.4H in

DISCLAIMERS:

METALS - All raw metals; brass, copper, mild steel in their respective finishes are unsealed. Metals in a raw, natural and unsealed state will oxidise and change in colour and tone. This is a completely natural process, therefore all our metal finishes will need to be maintained with an appropriate wax/crème, the application of which will build up a natural sealant over time. **Ferrogain**: a lightly textured matte paint finish.



FINISHES



Glass Tinted Kiln



Bronze

DESCRIPTION

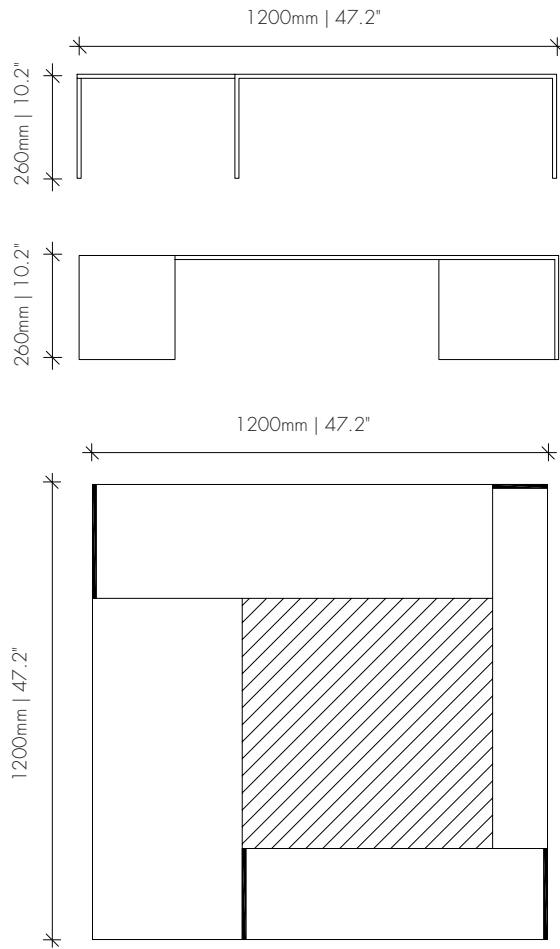
Solid Cast Patinated Bronze Frame - "Lost Wax" Method | Tinted Kiln-Cast Glass Insert

DIMENSIONS

940W x 870D x 320H mm | 37W x 34.4D x 12.6H in

DISCLAIMERS:

No two Metsing tables are the same. Variations in colour, tint, tone and finish are part of the hand made process and render each edition absolutely unique.



METAL OPTIONS



DESCRIPTION

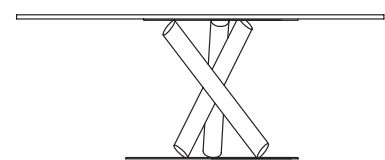
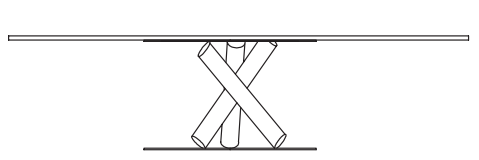
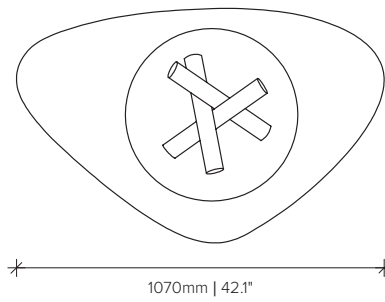
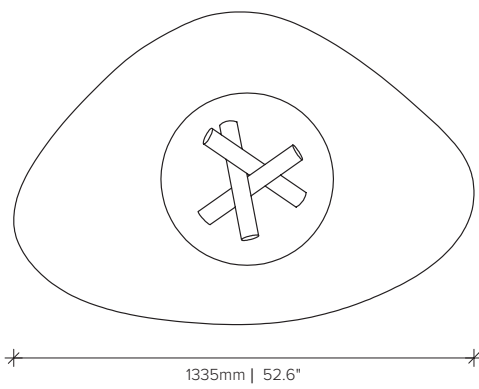
Clear / Grey / Bronze Mirror Insert Options | Patinated Blue Black Mild Steel / Powdercoated Mild Steel Options

DIMENSIONS

1200W x 1200D x 260H mm | 47.2W x 47.2D x 10.2H in

DISCLAIMERS:

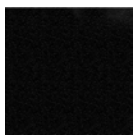
METALS - All raw metals; brass, copper, mild steel in their respective finishes are unsealed. Metals in a raw, natural and unsealed state will oxidise and change in colour and tone. This is a completely natural process, therefore all our metal finishes will need to be maintained with an appropriate wax/crème, the application of which will build up a natural sealant over time. **Ferrogain**: a lightly textured matte paint finish.



METAL OPTIONS



Black
High Gloss



Black Ferrogain



Saddle Wood
Ferrogain



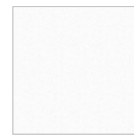
Light Grey
High Gloss



Charcoal Satin



Light Grey
Ferrogain



White
Ferrogain

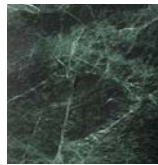


Satin White

MARBLE OPTIONS



Nero
Marquina (1)



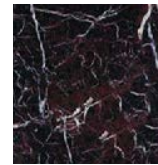
Verde
Guatemala (1)



Carrara (2)



Crema Rosa (2)



Rosso Levante (2)



Arabescato
Vagli (3)



Calacatta
Venato (3)

DESCRIPTION

Powdercoated Mild Steel Frame | Marble Top Options

DIMENSIONS

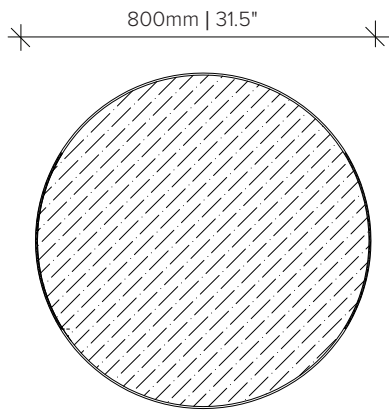
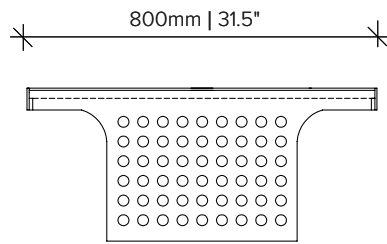
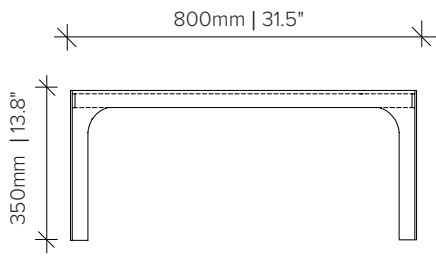
LARGE: 1335W x 910D x 330H mm | 52.6W x 35.8D x 13H in

SMALL: 1070W x 680D x 420H mm | 42.1W x 26.8D x 16.5H in

DISCLAIMERS:

METALS - All raw metals; brass, copper, mild steel in their respective finishes are unsealed. Metals in a raw, natural and unsealed state will oxidise and change in colour and tone. This is a completely natural process, therefore all our metal finishes will need to be maintained with an appropriate wax/crème, the application of which will build up a natural sealant over time. **Ferrogain:** a lightly textured matte paint finish.

MARBLE, STONE, GRANITE - Each slab of these natural materials vary in colour, tone, movement and veining; we find these variances an inherent and valuable part of the natural beauty of stone, no two pieces are the same making each OKHA design a unique, characterful piece and each product will be different from the next. We choose materials individually, taking full advantage of their natural imperfections and individual qualities.



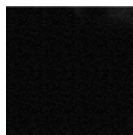
METAL OPTIONS



Mild Steel



Black
High Gloss



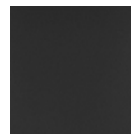
Black Ferrograin



Saddle Wood
Ferrograin



Light Grey
High Gloss



Charcoal Satin

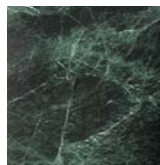


Light Grey
Ferrograin

MARBLE OPTIONS



Nero
Marquina (1)



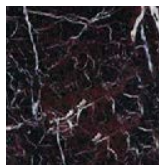
Verde
Guatemala (1)



Carrara (2)



Crema Rosa (2)



Rosso Levante (2)



Arabescato
Vagli (3)



Calacatta
Venato (3)

DESCRIPTION

Brass Top / Marble Top / Patinated Blue Black Mild Steel Base | Marble Top Options

DIMENSIONS

800DIA x 350H mm | 31.5DIA x 13.8H in

DISCLAIMERS:

METALS - All raw metals; brass, copper, mild steel in their respective finishes are unsealed. Metals in a raw, natural and unsealed state will oxidise and change in colour and tone. This is a completely natural process, therefore all our metal finishes will need to be maintained with an appropriate wax/crème, the application of which will build up a natural sealant over time. **Ferrograin**: a lightly textured matte paint finish.

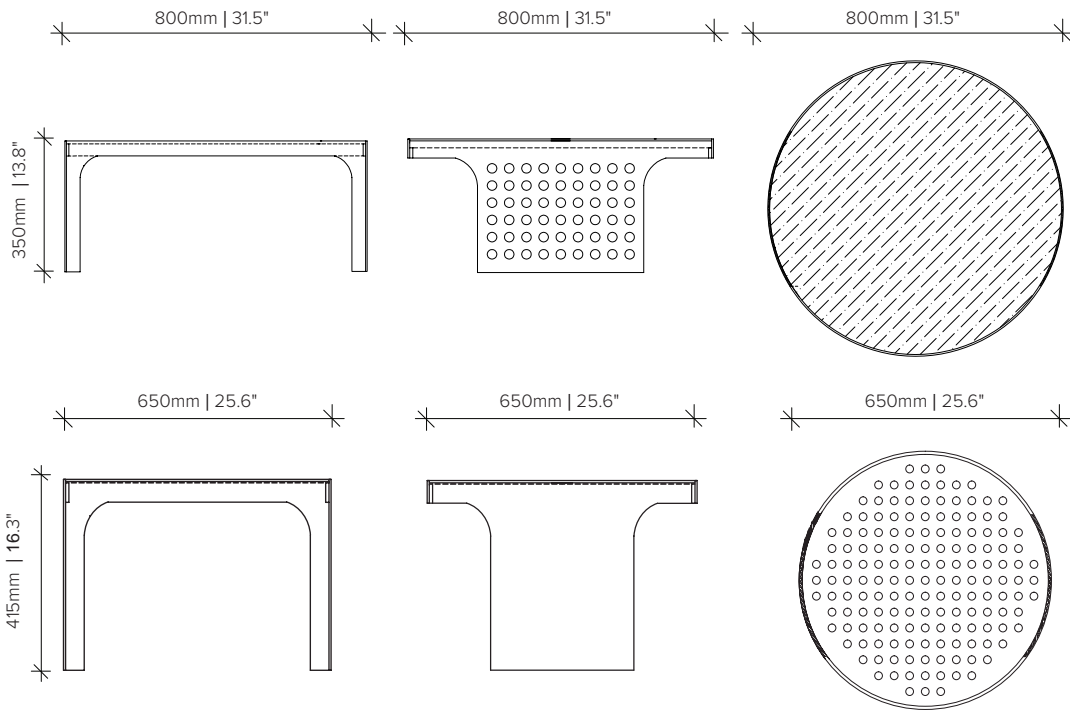
MARBLE, STONE, GRANITE - Each slab of these natural materials vary in colour, tone, movement and veining; we find these variances an inherent and valuable part of the natural beauty of stone, no two pieces are the same making each OKHA design a unique, characterful piece and each product will be different from the next. We choose materials individually, taking full advantage of their natural imperfections and individual qualities.

OKHA

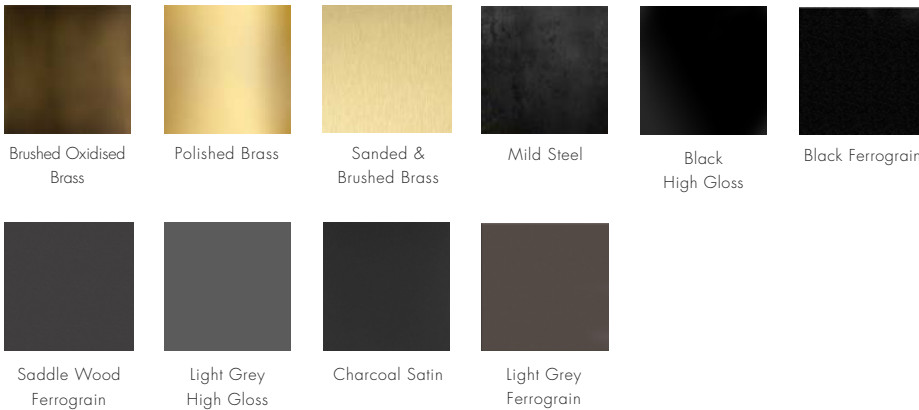
SILO NESTING

| Coffee Table

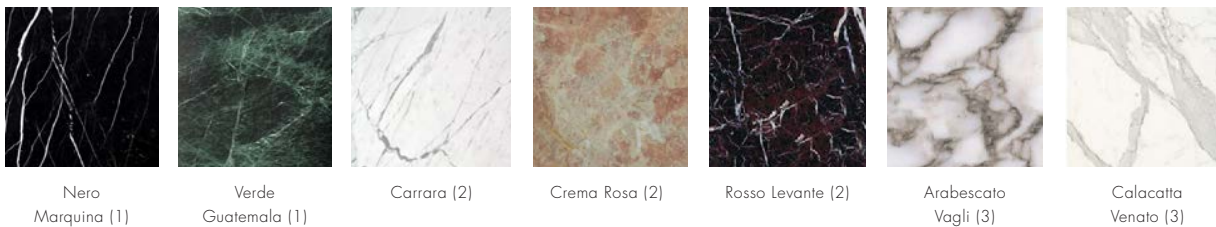
DESIGNED BY OKHA



METAL OPTIONS



MARBLE OPTIONS



DESCRIPTION

Brass Top / Marble Top / Patinated Blue Black Mild Steel Base | Marble Top Options

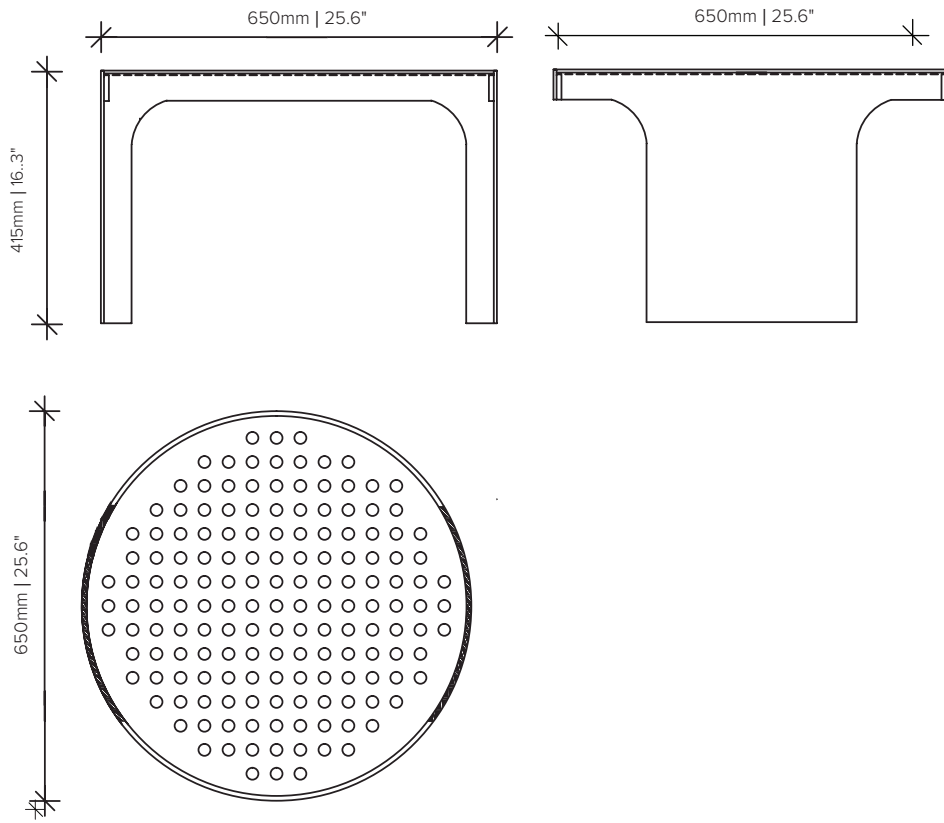
DIMENSIONS

MEDIUM: 800DIA x 350H mm | 31.5DIA x 13.8H in **SMALL:** 650DIA x 415H mm | 25.6DIA x 16.3H in

DISCLAIMERS:

METALS - All raw metals; brass, copper, mild steel in their respective finishes are unsealed. Metals in a raw, natural and unsealed state will oxidise and change in colour and tone. This is a completely natural process, therefore all our metal finishes will need to be maintained with an appropriate wax/crème, the application of which will build up a natural sealant over time. **Ferrograin** - a lightly textured matte paint finish.

MARBLE, STONE, GRANITE - Each slab of these natural materials vary in colour, tone, movement and veining; we find these variances an inherent and valuable part of the natural beauty of stone, no two pieces are the same making each OKHA design a unique, characterful piece and each product will be different from the next. We choose materials individually, taking full advantage of their natural imperfections and individual qualities.



METAL OPTIONS



Brushed Oxidised
Brass



Polished Brass



Sanded &
Brushed Brass



Mild Steel



Black Ferrogain



Saddle Wood
Ferrogain

DESCRIPTION

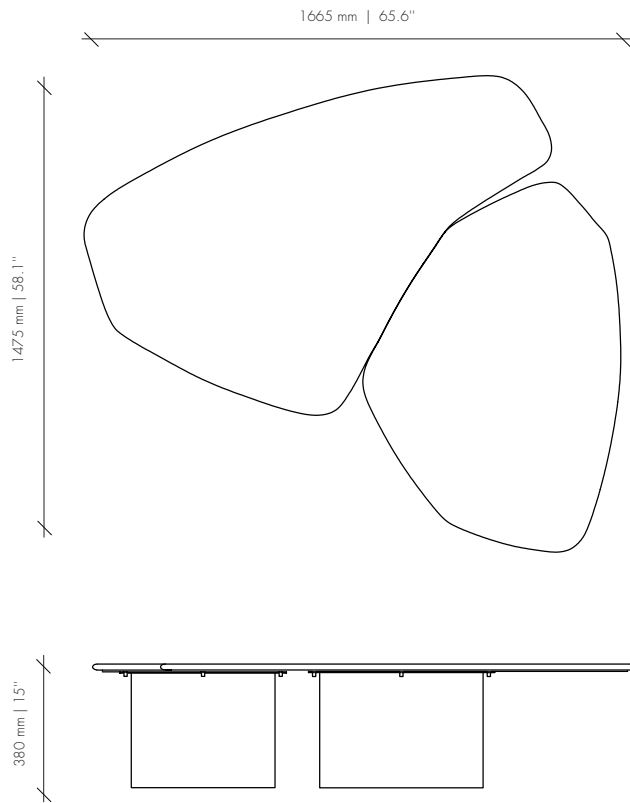
Brass Top | Patinated Blue Black Mild Steel Base

DIMENSIONS

650DIA x 415H mm | 25.6DIA x 16.3H in

DISCLAIMERS:

METALS - All raw metals; brass, copper, mild steel in their respective finishes are unsealed. Metals in a raw, natural and unsealed state will oxidise and change in colour and tone. This is a completely natural process, therefore all our metal finishes will need to be maintained with an appropriate wax/crème, the application of which will build up a natural sealant over time. **Ferrogain**: a lightly textured matte paint finish.



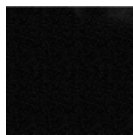
METAL OPTIONS



Mild Steel



Black HighGloss



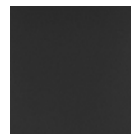
Black Ferrograin



Saddle Wood Ferrograin



Light Grey HighGloss



Charcoal Satin



Light Grey Ferrograin



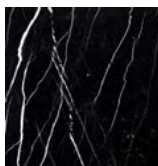
White Ferrograin



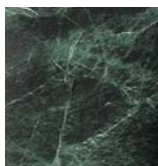
Satin White

MARBLE OPTIONS

Marble subject to availability



Nero Marquina (1)



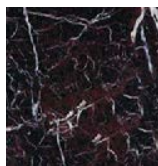
Verde Guatemala (1)



Carrara (2)



Crema Rosa (2)



Rosso Levante (2)



Arabescato Vagli (3)



Calacatta Venato (3)

DESCRIPTION

Patinated Blue Black Mild Steel / Powdercoated Mild Steel Base Options | Marble Top Options

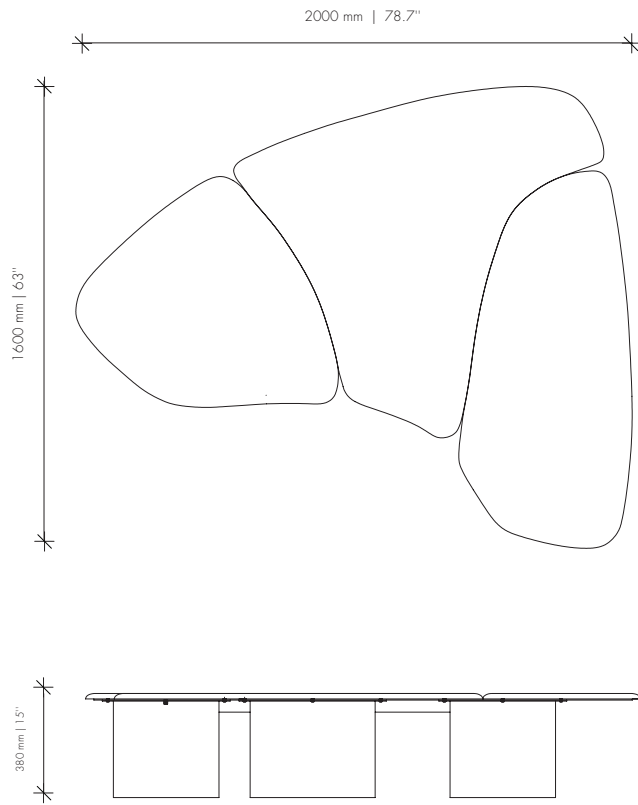
DIMENSIONS

1475W x 1665D x 380H mm | 58.1W x 65.6D x 15H in

DISCLAIMERS:

METALS - All raw metals; brass, copper, mild steel in their respective finishes are unsealed. Metals in a raw, natural and unsealed state will oxidise and change in colour and tone. This is a completely natural process, therefore all our metal finishes will need to be maintained with an appropriate wax/crème, the application of which will build up a natural sealant over time. **Ferrograin**: a lightly textured matte paint finish.

MARBLE, STONE, GRANITE - Each slab of these natural materials vary in colour, tone, movement and veining; we find these variances an inherent and valuable part of the natural beauty of stone, no two pieces are the same making each OKHA design a unique, characterful piece and each product will be different from the next. We choose materials individually, taking full advantage of their natural imperfections and individual qualities.



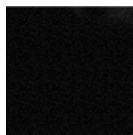
METAL OPTIONS



Mild Steel



Black HighGloss



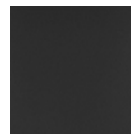
Black Ferrograin



Saddle Wood Ferrograin



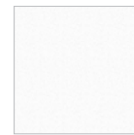
Light Grey HighGloss



Charcoal Satin



Light Grey Ferrograin



White Ferrograin



Satin White

MARBLE OPTIONS



Nero Marquina (1)



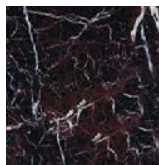
Verde Guatemala (1)



Carrara (2)



Crema Rosa (2)



Rosso Levante (2)



Arabescato Vagli (3)



Calacatta Venato (3)

DESCRIPTION

Patinated Blue Black Mild Steel / Powdercoated Mild Steel Base Options | Marble Top Options

DIMENSIONS

2000W x 1600D x 380H mm | 78.7W x 63D x 15H in

DISCLAIMERS:

METALS - All raw metals; brass, copper, mild steel in their respective finishes are unsealed. Metals in a raw, natural and unsealed state will oxidise and change in colour and tone. This is a completely natural process, therefore all our metal finishes will need to be maintained with an appropriate wax/crème, the application of which will build up a natural sealant over time. **Ferrograin**: a lightly textured matte paint finish.

MARBLE, STONE, GRANITE - Each slab of these natural materials vary in colour, tone, movement and veining; we find these variances an inherent and valuable part of the natural beauty of stone, no two pieces are the same making each OKHA design a unique, characterful piece and each product will be different from the next. We choose materials individually, taking full advantage of their natural imperfections and individual qualities.