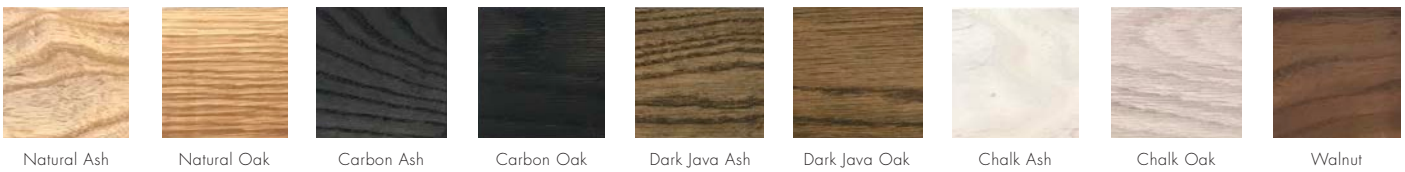


LEATHER OPTIONS | COM AVAILABLE



WOOD OPTIONS



DESCRIPTION

Upholstered | Ash / Oak / Walnut Frame Options

DIMENSIONS

510W x 560D x 1020H mm | SEAT HEIGHT: 750 mm | 20.1W x 22D x 40.2H in | SEAT HEIGHT: 29.5 in

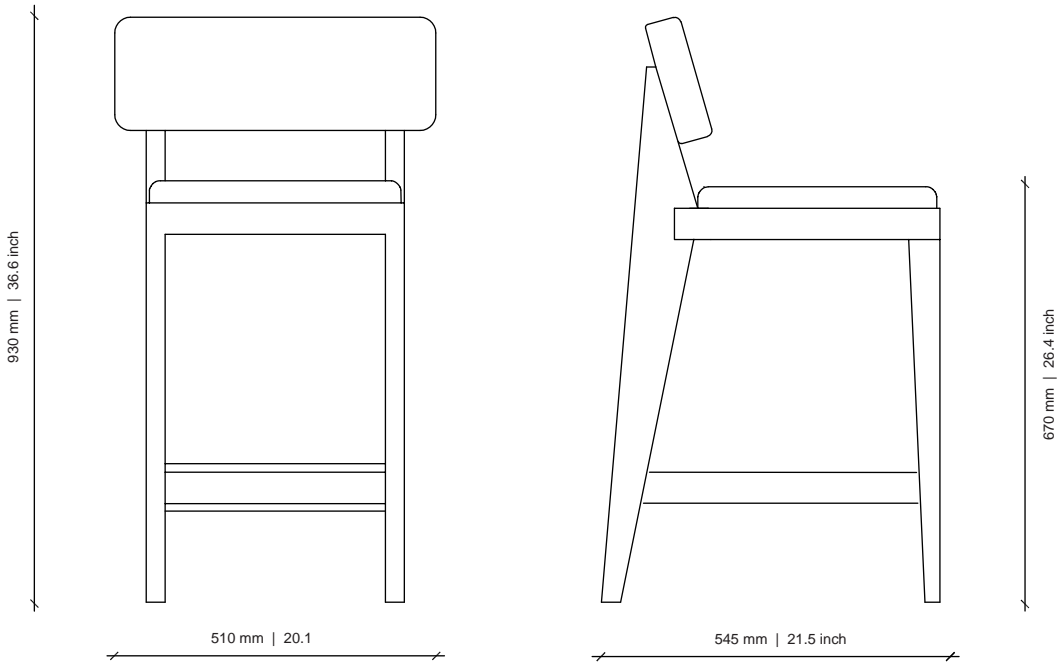
COM/COL

Plain Fabric: 1m | 1yd

Leather: 1.8m² | 19.4sq ft

DISCLAIMERS:

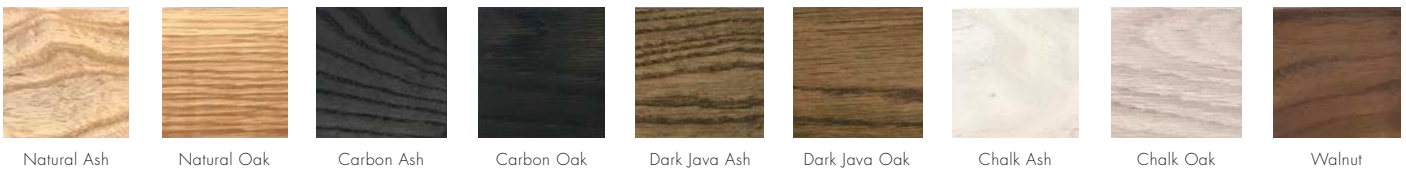
TIMBER - Different textures, grains, colouration and densities are all natural characteristics of timbers. We find these variances an inherent and valuable part of the natural beauty of wood, no two pieces are the same making each OKHA design a unique, characterful piece and each product will be different from the next. Timber movement will also occur as this is a natural product.



LEATHER OPTIONS | COM AVAILABLE



WOOD OPTIONS



DESCRIPTION

Upholstered | Ash / Oak / Walnut Frame Options

DIMENSIONS

510W x 545D x 930H mm | SEAT HEIGHT: 670 mm | 20.1W x 21.5D x 36.6H in | SEAT HEIGHT: 26.4 in

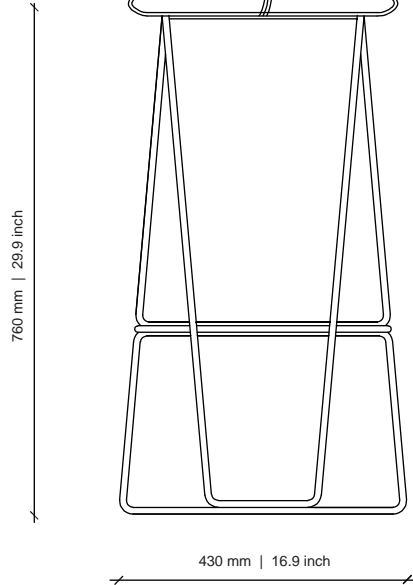
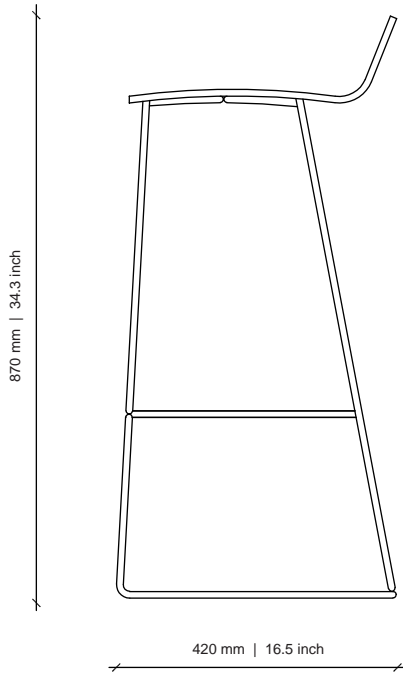
COM/COL

Plain Fabric: 1m | 1yd

Leather: 1.8m² | 19.4sq ft

DISCLAIMERS:

TIMBER - Different textures, grains, colouration and densities are all natural characteristics of timbers. We find these variances an inherent and valuable part of the natural beauty of wood, no two pieces are the same making each OKHA design a unique, characterful piece and each product will be different from the next. Timber movement will also occur as this is a natural product.



LEATHER OPTIONS | COM AVAILABLE



METAL | DUCO



DESCRIPTION

Upholstered | Powdercoated Mild Steel Base

DIMENSIONS

430W x 420D x 870H mm | SEAT HEIGHT: 760 mm | 16.9W x 16.5D x 34.3H in | SEAT HEIGHT: 29.9 in

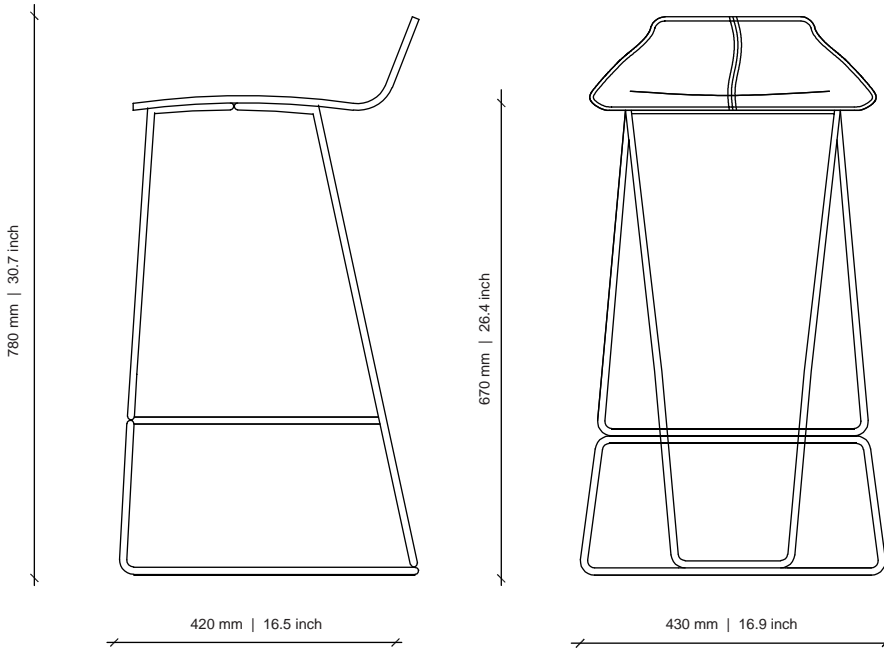
COM/COL

Plain Fabric: 0.5m | 0.55yd

Leather: 0.85m² | 9.2sq ft

DISCLAIMERS:

METALS - All raw metals; brass, copper, mild steel in their respective finishes are unsealed. Metals in a raw, natural and unsealed state will oxidise and change in colour and tone. This is a completely natural process, therefore all our metal finishes will need to be maintained with an appropriate wax/crème, the application of which will build up a natural sealant over time. **Ferrograin**: a lightly textured matte paint finish.



LEATHER OPTIONS | COM AVAILABLE



METAL | DUCO



DESCRIPTION

Upholstered | Powdercoated Mild Steel Base

DIMENSIONS

430W x 420D x 780H mm | SEAT HEIGHT: 670 mm | 16.9W x 16.5D x 30.7H in | SEAT HEIGHT: 26.4 in

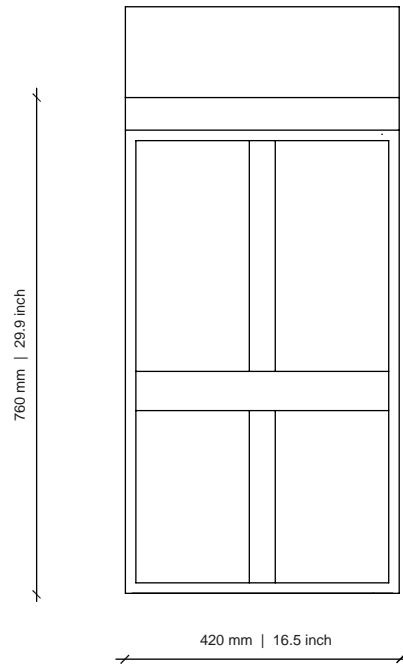
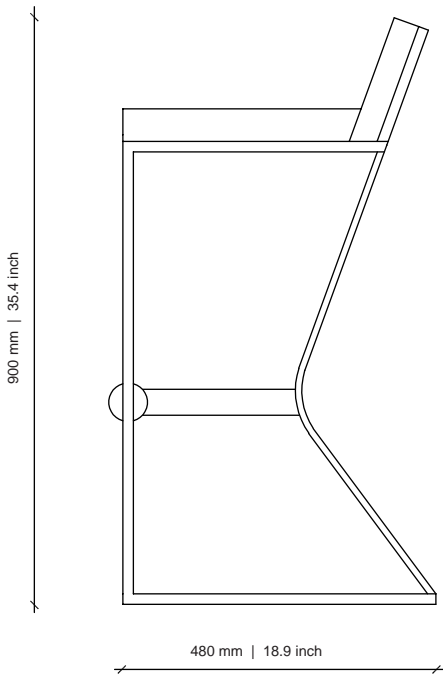
COM/COL

Plain Fabric: 0.5m | 0.55yd

Leather: 0.85m² | 9.2sq ft

DISCLAIMERS:

METALS - All raw metals; brass, copper, mild steel in their respective finishes are unsealed. Metals in a raw, natural and unsealed state will oxidise and change in colour and tone. This is a completely natural process, therefore all our metal finishes will need to be maintained with an appropriate wax/crème, the application of which will build up a natural sealant over time. **Ferrograin**: a lightly textured matte paint finish.



LEATHER OPTIONS | COM AVAILABLE



METAL | DUCO



DESCRIPTION

Upholstered | Powdercoated Mild Steel Frame

DIMENSIONS

420W x 480D x 900H mm | SEAT HEIGHT: 760 mm | 16.5W x 18.9D x 35.4H in | SEAT HEIGHT: 29.9 in

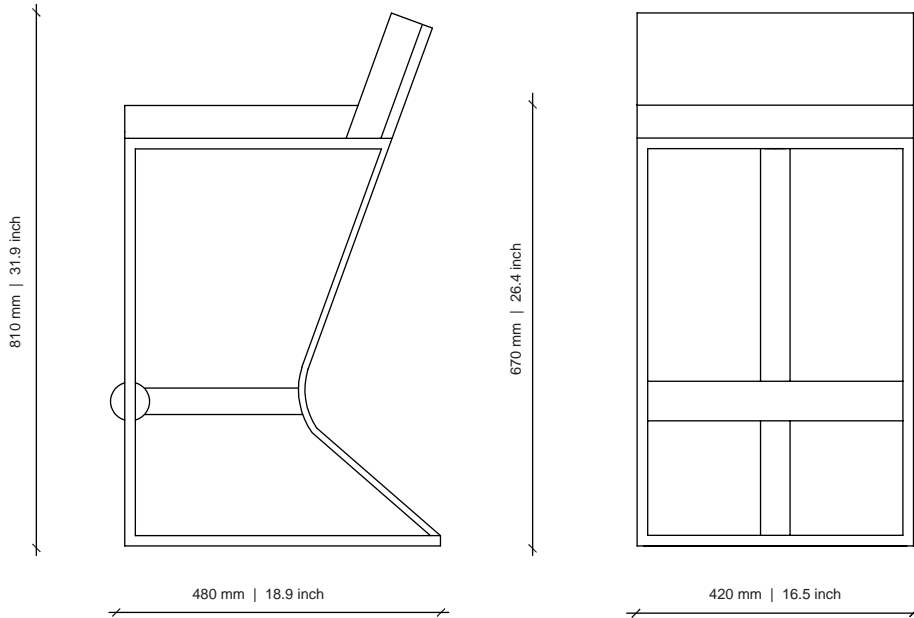
COM/COL

Plain Fabric: 1.8m | 1.9yd

Leather: 2m² | 21.5sq ft

DISCLAIMERS:

METALS - All raw metals; brass, copper, mild steel in their respective finishes are unsealed. Metals in a raw, natural and unsealed state will oxidise and change in colour and tone. This is a completely natural process, therefore all our metal finishes will need to be maintained with an appropriate wax/crème, the application of which will build up a natural sealant over time. **Ferrograin**: a lightly textured matte paint finish.



LEATHER OPTIONS | COM AVAILABLE



METAL | DUCO



DESCRIPTION

Upholstered | Powdercoated Mild Steel Frame

DIMENSIONS

420W x 480D x 810H mm | SEAT HEIGHT: 670 mm | 16.5W x 18.9D x 31.9H in | SEAT HEIGHT: 26.4 in

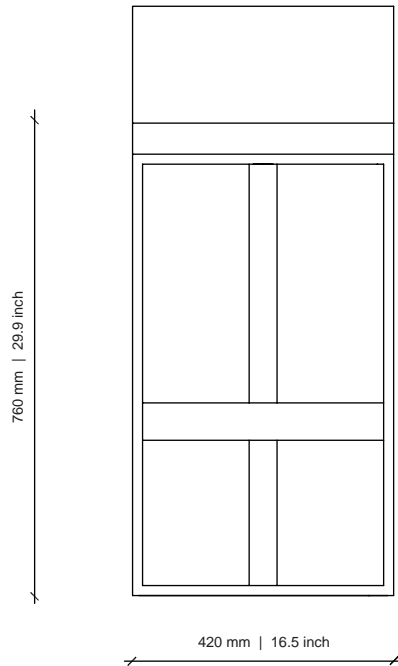
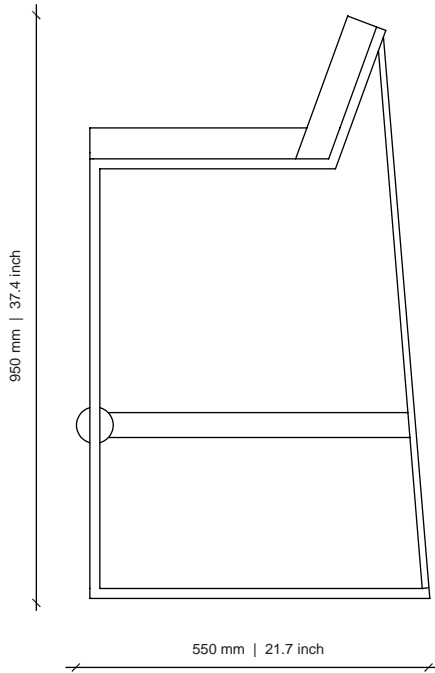
COM/COL

Plain Fabric: 1.8m | 1.9yd

Leather: 2m² | 21.5sq ft

DISCLAIMERS:

METALS - All raw metals; brass, copper, mild steel in their respective finishes are unsealed. Metals in a raw, natural and unsealed state will oxidise and change in colour and tone. This is a completely natural process, therefore all our metal finishes will need to be maintained with an appropriate wax/crème, the application of which will build up a natural sealant over time. **Ferrograin**: a lightly textured matte paint finish.



LEATHER OPTIONS | COM AVAILABLE



METAL | DUCO



DESCRIPTION

Upholstered | Powdercoated Mild Steel Frame

DIMENSIONS

420W x 550D x 950H mm | SEAT HEIGHT 760 mm | 16.5W x 21.7D x 37.4H in | SEAT HEIGHT 29.9 in

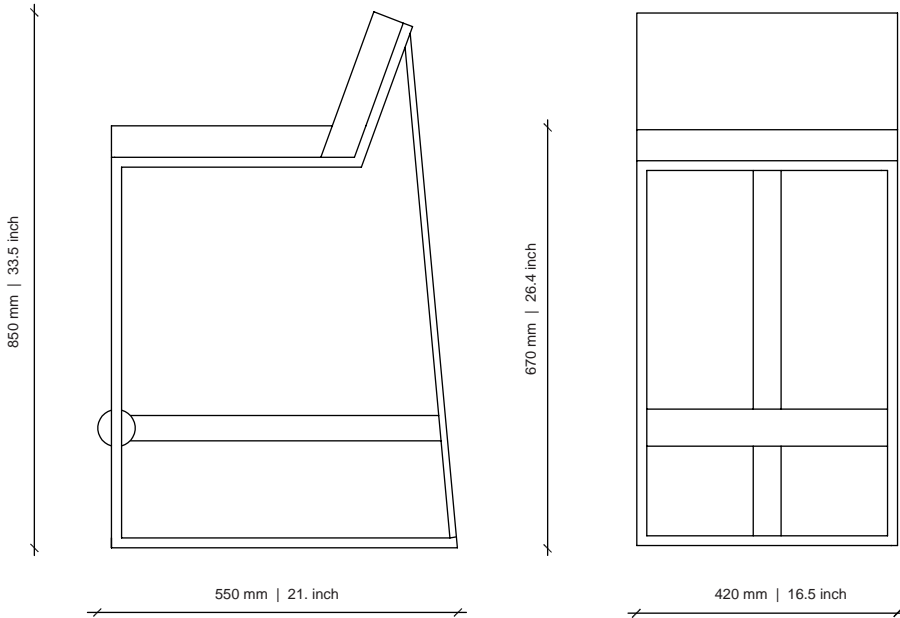
COM/COL

Plain Fabric: 1.8m | 1.9yd

Leather: 2m² | 21.5sq ft

DISCLAIMERS:

METALS - All raw metals; brass, copper, mild steel in their respective finishes are unsealed. Metals in a raw, natural and unsealed state will oxidise and change in colour and tone. This is a completely natural process, therefore all our metal finishes will need to be maintained with an appropriate wax/crème, the application of which will build up a natural sealant over time. **Ferrograin**: a lightly textured matte paint finish.



LEATHER OPTIONS | COM AVAILABLE



METAL | DUCO



DESCRIPTION

Upholstered | Powdercoated Mild Steel Frame

DIMENSIONS

420W x 550D x 850H mm | SEAT HEIGHT: 670 mm | 16.5W x 21.7D x 33.5H in | SEAT HEIGHT: 26.4 in

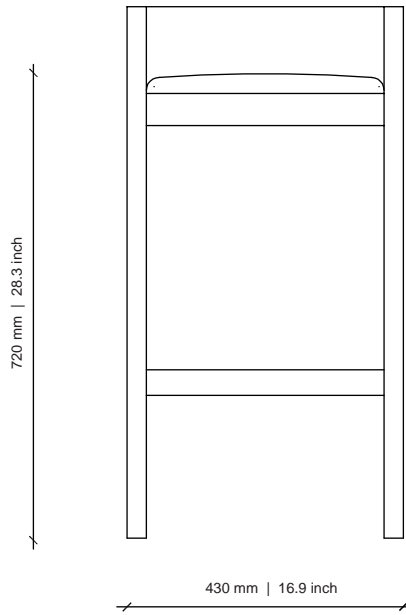
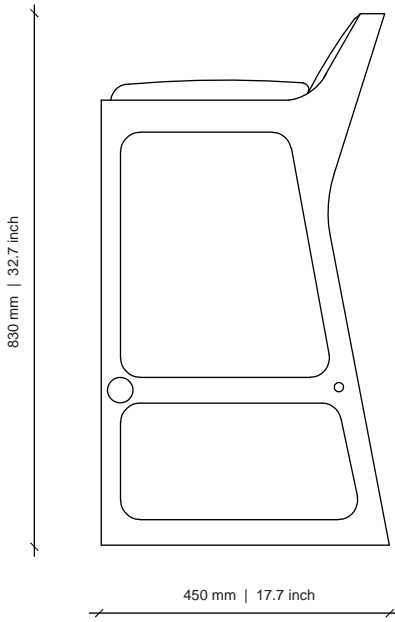
COM/COL

Plain Fabric: 1.8m | 1.9yd

Leather: 2m² | 21.5sq ft

DISCLAIMERS:

METALS - All raw metals; brass, copper, mild steel in their respective finishes are unsealed. Metals in a raw, natural and unsealed state will oxidise and change in colour and tone. This is a completely natural process, therefore all our metal finishes will need to be maintained with an appropriate wax/crème, the application of which will build up a natural sealant over time. **Ferrograin**: a lightly textured matte paint finish.



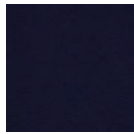
LEATHER OPTIONS | COM AVAILABLE



Black



Mocca



Navy



Straw



Anthracite



Elephant



Oyster

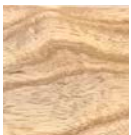


Latte

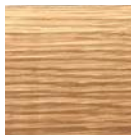


White

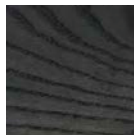
WOOD OPTIONS



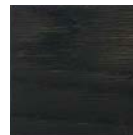
Natural Ash



Natural Oak



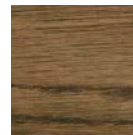
Carbon Ash



Carbon Oak



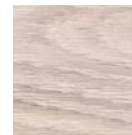
Dark Java Ash



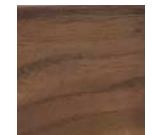
Dark Java Oak



Chalk Ash

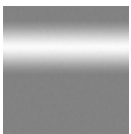


Chalk Oak



Walnut

METAL FINISHES



Stainless Steel

DESCRIPTION

Upholstered | Ash / Oak / Walnut Frame Options | Stainless Steel Footrest

DIMENSIONS

430W x 450D x 830H mm | SEAT HEIGHT: 720 mm | 16.9W x 17.7D x 32.7H in | SEAT HEIGHT: 28.3 in

COM/COL

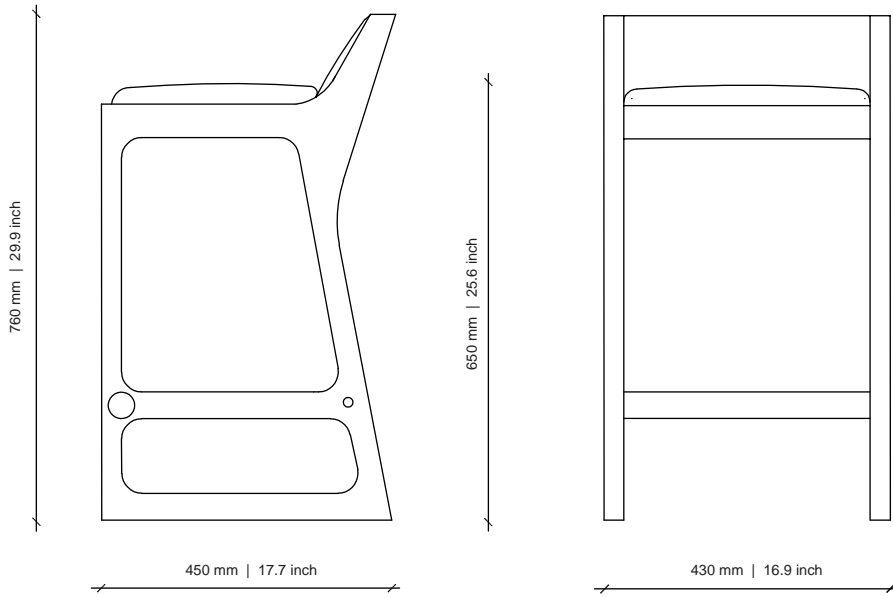
Plain Fabric: 0.5m | 0.55yd

Leather: 0.9m² | 8.6sq ft

DISCLAIMERS:

TIMBER - Different textures, grains, colouration and densities are all natural characteristics of timbers. We find these variances an inherent and valuable part of the natural beauty of wood, no two pieces are the same making each OKHA design a unique, characterful piece and each product will be different from the next. Timber movement will also occur as this is a natural product.

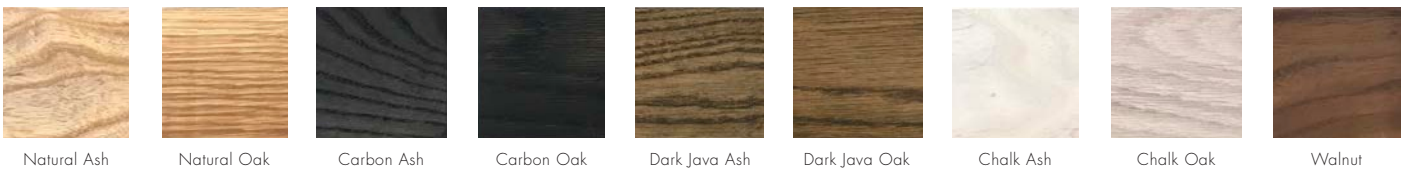
METALS - All raw metals; brass, copper, mild steel in their respective finishes are unsealed. Metals in a raw, natural and unsealed state will oxidise and change in colour and tone. This is a completely natural process, therefore all our metal finishes will need to be maintained with an appropriate wax/crème, the application of which will build up a natural sealant over time. **Ferrogain**: a lightly textured matte paint finish.



LEATHER OPTIONS | COM AVAILABLE



WOOD OPTIONS



METAL FINISHES



DESCRIPTION

Upholstered | Ash / Oak / Walnut Frame Options | Stainless Steel Footrest

DIMENSIONS

430W x 450D x 760H mm | SEAT HEIGHT: 650 mm | 16.9W x 17.7D x 29.9H in | SEAT HEIGHT: 25.6 in

COM/COL

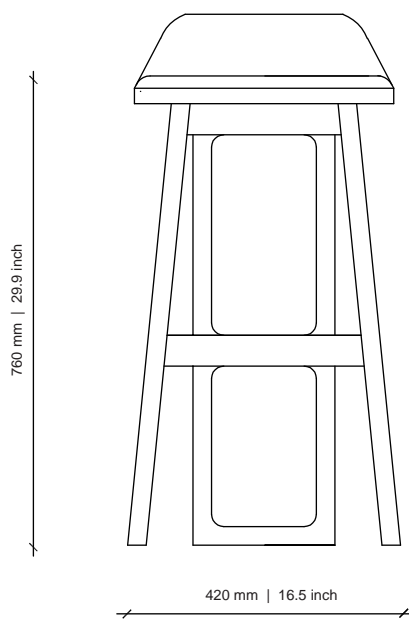
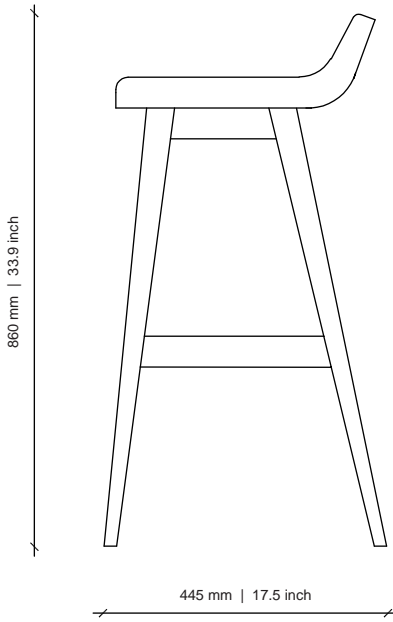
Plain Fabric: 0.5m | 0.55yd

Leather: 0.9m² | 9.6ft²

DISCLAIMERS:

TIMBER - Different textures, grains, colouration and densities are all natural characteristics of timbers. We find these variances an inherent and valuable part of the natural beauty of wood, no two pieces are the same making each OKHA design a unique, characterful piece and each product will be different from the next. Timber movement will also occur as this is a natural product.

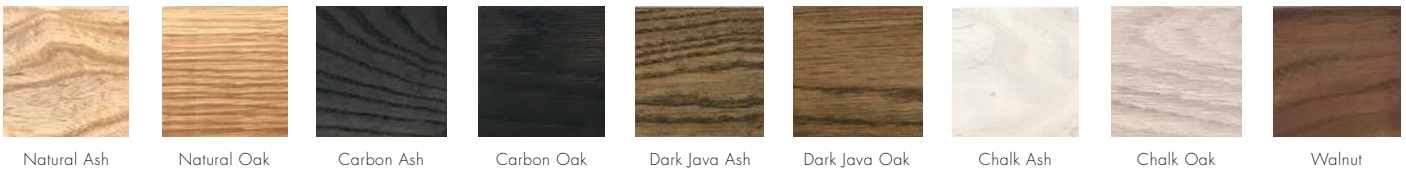
METALS - All raw metals; brass, copper, mild steel in their respective finishes are unsealed. Metals in a raw, natural and unsealed state will oxidise and change in colour and tone. This is a completely natural process, therefore all our metal finishes will need to be maintained with an appropriate wax/crème, the application of which will build up a natural sealant over time. **Ferrogain**: a lightly textured matte paint finish.



LEATHER OPTIONS | COM AVAILABLE



WOOD OPTIONS



DESCRIPTION

Upholstered | Ash / Oak / Walnut Base Options

DIMENSIONS

420W x 445D x 860H mm | SEAT HEIGHT: 760 mm | 16.5W x 17.5D x 33.9H in | SEAT HEIGHT: 29.9 in

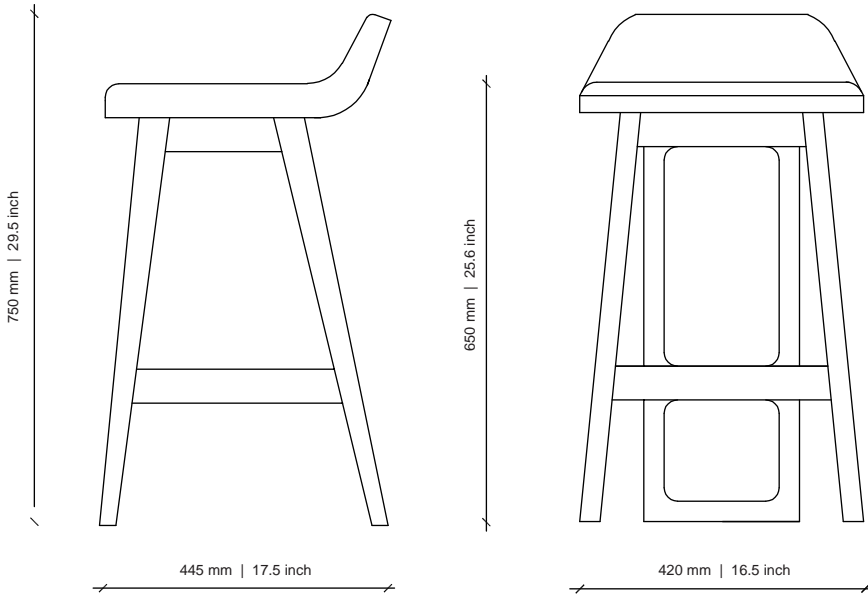
COM/COL

Plain Fabric: 0.75m | 0.8yd

Leather: 1.4m² | 15.1sq ft

DISCLAIMERS:

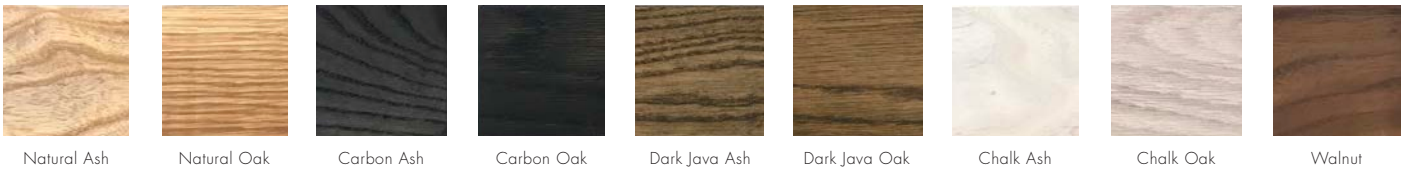
TIMBER - Different textures, grains, colouration and densities are all natural characteristics of timbers. We find these variances an inherent and valuable part of the natural beauty of wood, no two pieces are the same making each OKHA design a unique, characterful piece and each product will be different from the next. Timber movement will also occur as this is a natural product.



LEATHER OPTIONS | COM AVAILABLE



WOOD OPTIONS



DESCRIPTION

Upholstered | Ash / Oak / Walnut Base Options

DIMENSIONS

420W x 445D x 750H mm | SEAT HEIGHT: 650 mm | 16.5W x 17.5D x 29.5H in | SEAT HEIGHT: 25.6 in

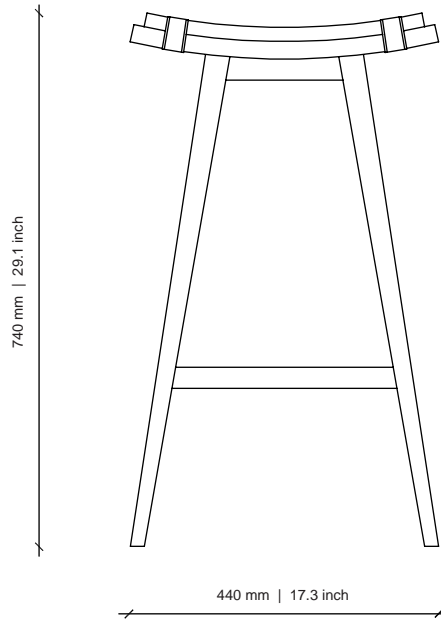
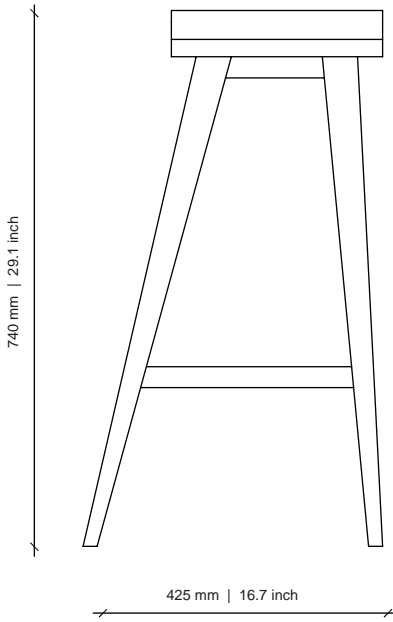
COM/COL

Plain Fabric: 0.75m | 0.8yd

Leather: 1.4m² | 15.1ft²

DISCLAIMERS:

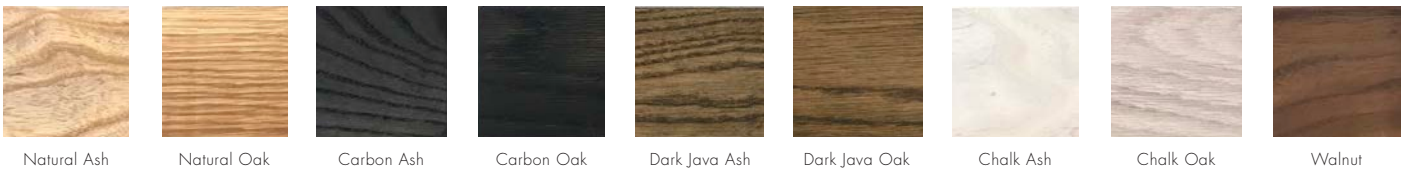
TIMBER - Different textures, grains, colouration and densities are all natural characteristics of timbers. We find these variances an inherent and valuable part of the natural beauty of wood, no two pieces are the same making each OKHA design a unique, characterful piece and each product will be different from the next. Timber movement will also occur as this is a natural product.



LEATHER OPTIONS | COM AVAILABLE



WOOD OPTIONS



DESCRIPTION

Upholstered | Ash / Oak / Walnut Base Options

DIMENSIONS

440W x 425D x 740H mm | 17.3W x 16.7D x 29.1H in

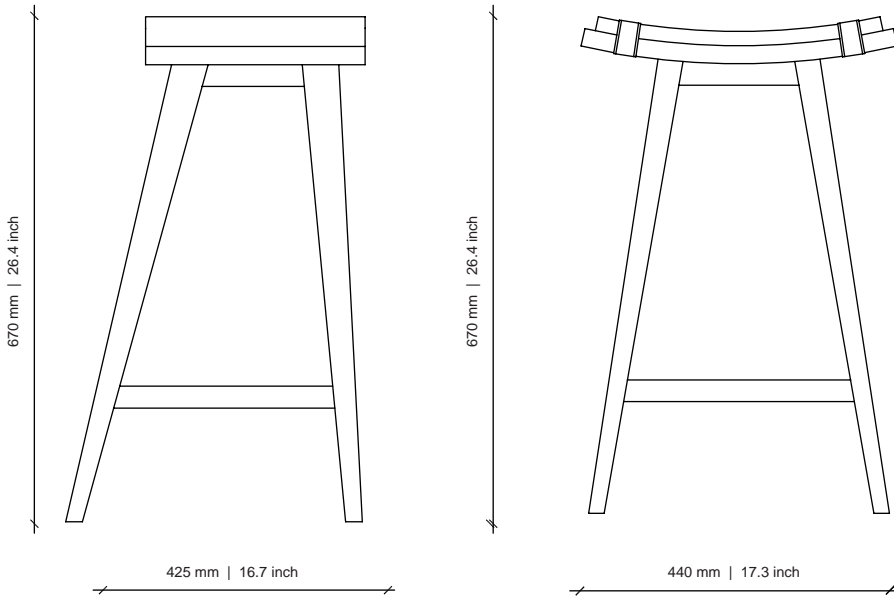
COM/COL

Plain Fabric: 1.6m | 1.7yd

Leather: 2m² | 21.5sq ft

DISCLAIMERS:

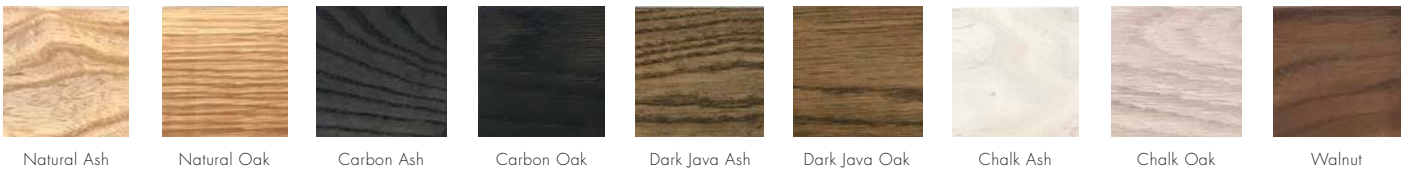
TIMBER - Different textures, grains, colouration and densities are all natural characteristics of timbers. We find these variances an inherent and valuable part of the natural beauty of wood, no two pieces are the same making each OKHA design a unique, characterful piece and each product will be different from the next. Timber movement will also occur as this is a natural product.



LEATHER OPTIONS | COM AVAILABLE



WOOD OPTIONS



DESCRIPTION

Upholstered | Ash / Oak / Walnut Base Options

DIMENSIONS

440W x 425D x 670H mm | 17.3W x 16.7D x 26.4H in

COM/COL

Plain Fabric: 1.6m | 1.7yd

Leather: 2m² | 21.5sq ft

DISCLAIMERS:

TIMBER - Different textures, grains, colouration and densities are all natural characteristics of timbers. We find these variances an inherent and valuable part of the natural beauty of wood, no two pieces are the same making each OKHA design a unique, characterful piece and each product will be different from the next. Timber movement will also occur as this is a natural product.