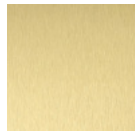


Brushed & Oxidised Brass



Polished Brass



Brushed Brass



Natural Ash Veneer



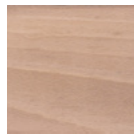
Carbon Ash Veneer



Dark Java Ash Veneer



Chalk Ash Veneer



Beech Veneer



Natural Walnut Veneer

Plinth Ash Veneer / Beech Veneer / Walnut Veneer / Brass Clad Cylindrical

Upholstery Fabric

Dimensions (mm)

3700W x 1700D x 690H

Seat Height: 370 mm

Dimensions (inches)

145.6W x 67D x 27.1H

Seat Height: 14.6 in

COM 15m / 16.4yd

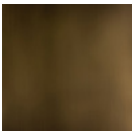
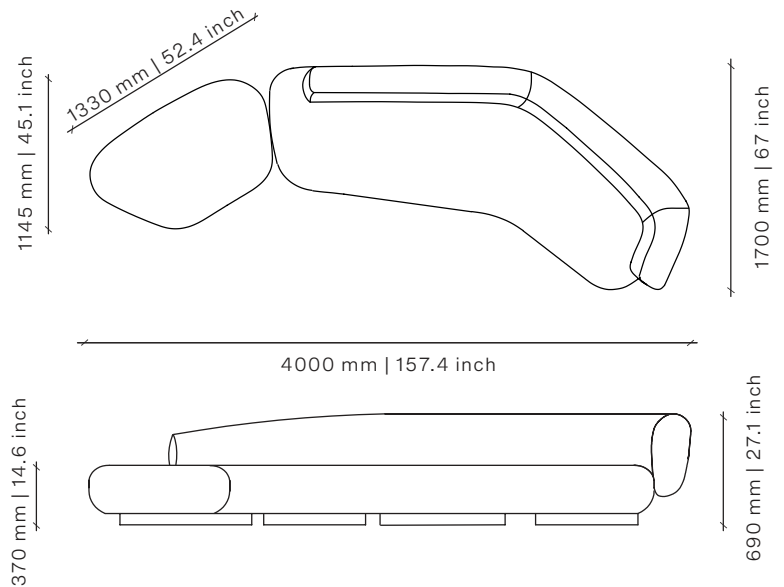
Different textures, grains, colouration and densities are all natural characteristics of timbers. We find these variances an inherent and valuable part of the natural beauty of wood, no two pieces are the same making each OKHA design a unique, characterful piece and each product will be different from the next. Timber movement will also occur as this is a natural product.

STONE: Marble is a beautiful natural material with inherent imperfections in its structure, veining and coloration. As such, some slabs may be reinforced with meshing on the underside and may have colour matched resin fills in minor cracks and surface blemishes. Please note that this is standard practice.

METAL: All metals will go through a process of natural aging and oxidization due to environmental conditions. The result of this aging process will bring about colour change, to slow and reduce this natural process, appropriate cleaning and maintenance products can be used.

+27 21 461 7233
info@okha.com
okha.com

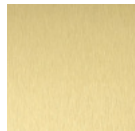
109 Hatfield Street
Gardens, Cape Town, 8001
South Africa



Brushed & Oxidised Brass



Polished Brass



Brushed Brass



Natural Ash Veneer



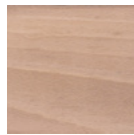
Carbon Ash Veneer



Dark Java Ash Veneer



Chalk Ash Veneer



Beech Veneer



Natural Walnut Veneer

Plinth Ash Veneer / Beech Veneer / Walnut Veneer / Brass Clad Cylindrical

Upholstery Fabric

Dimensions (mm)

4000W x 1700D x 690H

Seat Height: 370 mm

Dimensions (inches)

157.4W x 67D x 27.1H

Seat Height: 14.6 in

COM 15m / 16.4yd

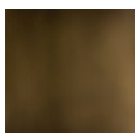
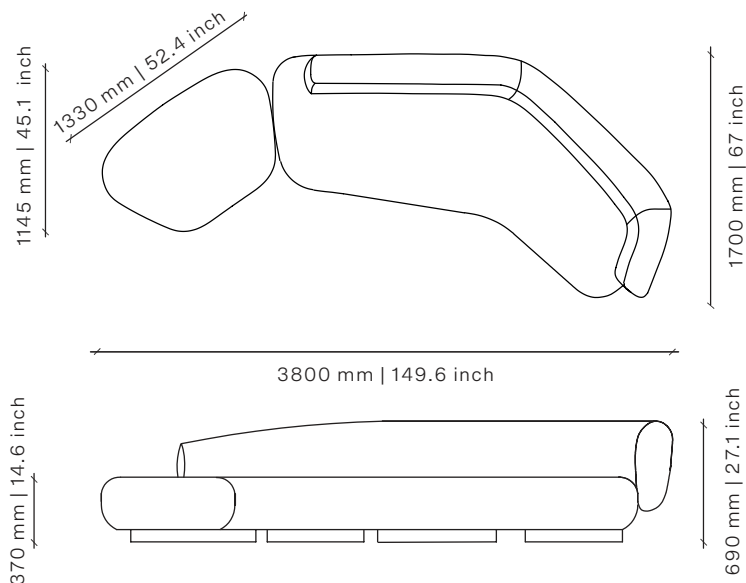
Different textures, grains, colouration and densities are all natural characteristics of timbers. We find these variances an inherent and valuable part of the natural beauty of wood, no two pieces are the same making each OKHA design a unique, characterful piece and each product will be different from the next. Timber movement will also occur as this is a natural product.

STONE: Marble is a beautiful natural material with inherent imperfections in its structure, veining and coloration. As such, some slabs may be reinforced with meshing on the underside and may have colour matched resin fills in minor cracks and surface blemishes. Please note that this is standard practice.

METAL: All metals will go through a process of natural aging and oxidization due to environmental conditions. The result of this aging process will bring about colour change, to slow and reduce this natural process, appropriate cleaning and maintenance products can be used.

+27 21 461 7233
info@okha.com
okha.com

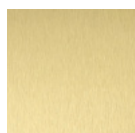
109 Hatfield Street
 Gardens, Cape Town, 8001
 South Africa



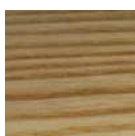
Brushed & Oxidised Brass



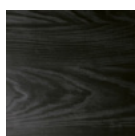
Polished Brass



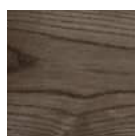
Brushed Brass



Natural Ash Veneer



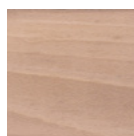
Carbon Ash Veneer



Dark Java Ash Veneer



Chalk Ash Veneer



Beech Veneer



Natural Walnut Veneer

Plinth Ash Veneer / Beech Veneer / Walnut Veneer / Brass Clad Cylindrical

Upholstery Fabric

Dimensions (mm)

3800W x 1700D x 690H

Seat Height: 370 mm

Dimensions (inches)

149.6W x 67D x 27.1H

Seat Height: 14.6 in

COM 15m / 16.4yd

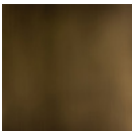
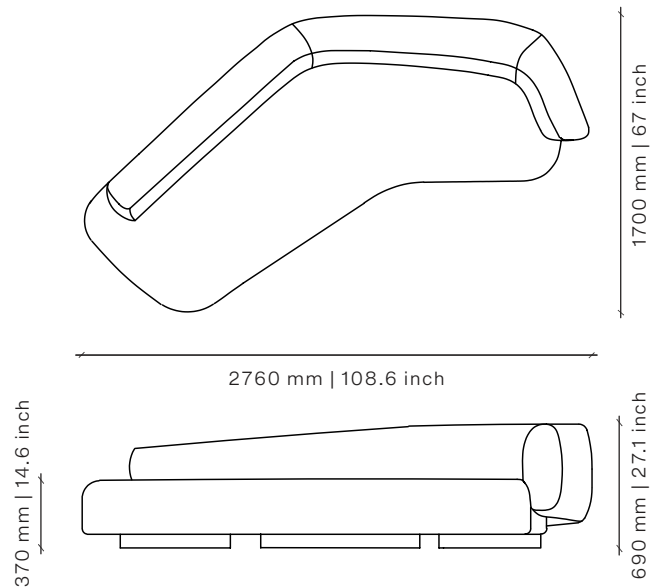
Different textures, grains, colouration and densities are all natural characteristics of timbers. We find these variances an inherent and valuable part of the natural beauty of wood, no two pieces are the same making each OKHA design a unique, characterful piece and each product will be different from the next. Timber movement will also occur as this is a natural product.

STONE: Marble is a beautiful natural material with inherent imperfections in its structure, veining and coloration. As such, some slabs may be reinforced with meshing on the underside and may have colour matched resin fills in minor cracks and surface blemishes. Please note that this is standard practice.

METAL: All metals will go through a process of natural aging and oxidization due to environmental conditions. The result of this aging process will bring about colour change, to slow and reduce this natural process, appropriate cleaning and maintenance products can be used.

+27 21 461 7233
info@okha.com
okha.com

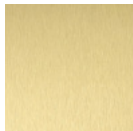
109 Hatfield Street
Gardens, Cape Town, 8001
South Africa



Brushed & Oxidised Brass



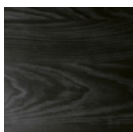
Polished Brass



Brushed Brass



Natural Ash Veneer



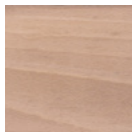
Carbon Ash Veneer



Dark Java Ash Veneer



Chalk Ash Veneer



Beech Veneer



Natural Walnut Veneer

Plinth Ash Veneer / Beech Veneer / Walnut Veneer / Brass Clad Cylindrical
Upholstery Fabric

Dimensions (mm)

2760W x 1700D x 690H

Seat Height: 370 mm

Dimensions (inches)

108.6W x 67D x 27.1H

Seat Height: 14.6 in

COM 12m / 13.1yd

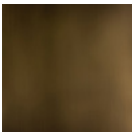
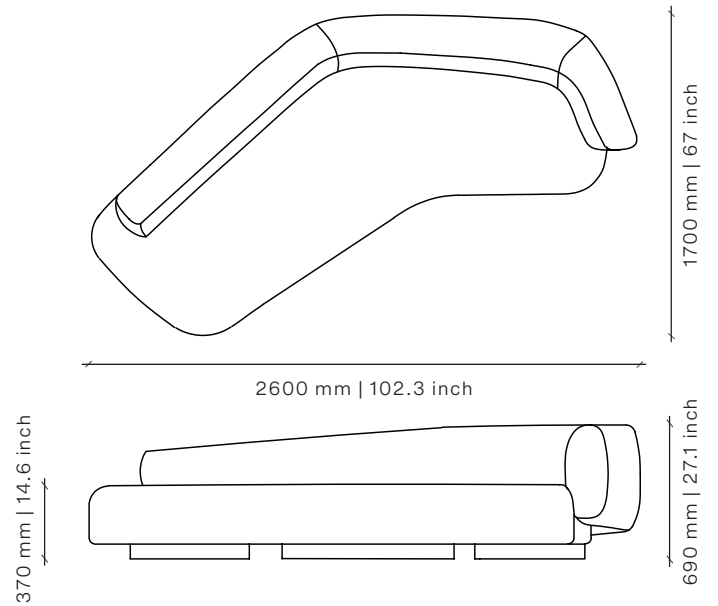
Different textures, grains, colouration and densities are all natural characteristics of timbers. We find these variances an inherent and valuable part of the natural beauty of wood, no two pieces are the same making each OKHA design a unique, characterful piece and each product will be different from the next. Timber movement will also occur as this is a natural product.

STONE: Marble is a beautiful natural material with inherent imperfections in its structure, veining and coloration. As such, some slabs may be reinforced with meshing on the underside and may have colour matched resin fills in minor cracks and surface blemishes. Please note that this is standard practice.

METAL: All metals will go through a process of natural aging and oxidization due to environmental conditions. The result of this aging process will bring about colour change, to slow and reduce this natural process, appropriate cleaning and maintenance products can be used.

+27 21 461 7233
info@okha.com
okha.com

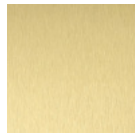
109 Hatfield Street
 Gardens, Cape Town, 8001
 South Africa



Brushed & Oxidised Brass



Polished Brass



Brushed Brass



Natural Ash Veneer



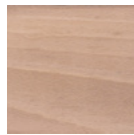
Carbon Ash Veneer



Dark Java Ash Veneer



Chalk Ash Veneer



Beech Veneer



Natural Walnut Veneer

Plinth Ash Veneer / Beech Veneer / Walnut Veneer / Brass Clad Cylindrical

Upholstery Fabric

Dimensions (mm)

2600W x 1700D x 690H

Seat Height: 370 mm

Dimensions (inches)

102.3W x 67D x 27.1H

Seat Height: 14.6 in

COM 12m / 13.1yd

Different textures, grains, colouration and densities are all natural characteristics of timbers. We find these variances an inherent and valuable part of the natural beauty of wood, no two pieces are the same making each OKHA design a unique, characterful piece and each product will be different from the next. Timber movement will also occur as this is a natural product.

STONE: Marble is a beautiful natural material with inherent imperfections in its structure, veining and coloration. As such, some slabs may be reinforced with meshing on the underside and may have colour matched resin fills in minor cracks and surface blemishes. Please note that this is standard practice.

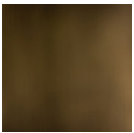
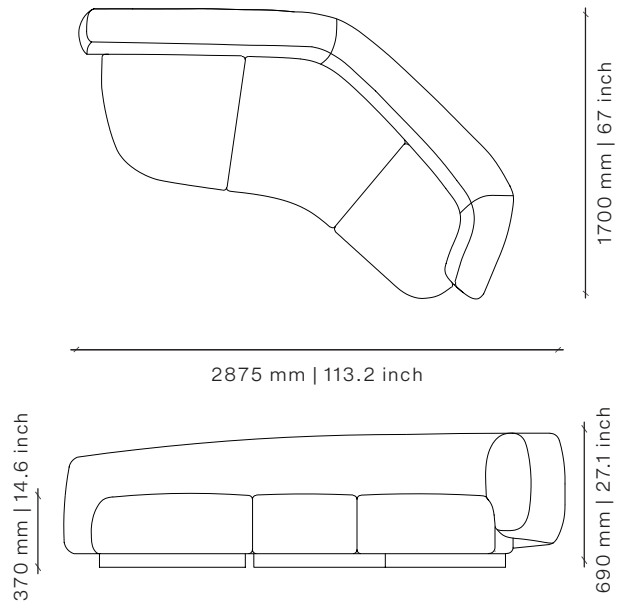
METAL: All metals will go through a process of natural aging and oxidization due to environmental conditions. The result of this aging process will bring about colour change, to slow and reduce this natural process, appropriate cleaning and maintenance products can be used.

+27 21 461 7233

info@okha.com

okha.com

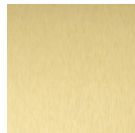
109 Hatfield Street
Gardens, Cape Town, 8001
South Africa



Brushed & Oxidised Brass



Polished Brass



Brushed Brass



Natural Ash Veneer



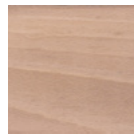
Carbon Ash Veneer



Dark Java Ash Veneer



Chalk Ash Veneer



Beech Veneer



Natural Walnut Veneer

Plinth Ash Veneer / Beech Veneer / Walnut Veneer / Brass Clad Cylindrical

Upholstery Fabric

Dimensions (mm)

2875W x 1700D x 690H

Seat Height: 370 mm

Dimensions (inches)

113.2W x 67D x 27.1H

Seat Height: 14.6 in

COM 15m / 16.4yd

Different textures, grains, colouration and densities are all natural characteristics of timbers. We find these variances an inherent and valuable part of the natural beauty of wood, no two pieces are the same making each OKHA design a unique, characterful piece and each product will be different from the next. Timber movement will also occur as this is a natural product.

STONE: Marble is a beautiful natural material with inherent imperfections in its structure, veining and coloration. As such, some slabs may be reinforced with meshing on the underside and may have colour matched resin fills in minor cracks and surface blemishes. Please note that this is standard practice.

METAL: All metals will go through a process of natural aging and oxidization due to environmental conditions. The result of this aging process will bring about colour change, to slow and reduce this natural process, appropriate cleaning and maintenance products can be used.

+27 21 461 7233
info@okha.com
okha.com

109 Hatfield Street
Gardens, Cape Town, 8001
South Africa