

# OKHA

PRESS KIT



INTRODUCING  
**RAY & VINCE**

## RAY



### ARMCHAIR

670W x 840D x 700H mm  
**SEAT HEIGHT** 420mm

Mild Steel frame construction in Ferrograin powdercoating with solid timber arms, dual density foam cushion and upholstered in leather.

VINCE



## VINCE

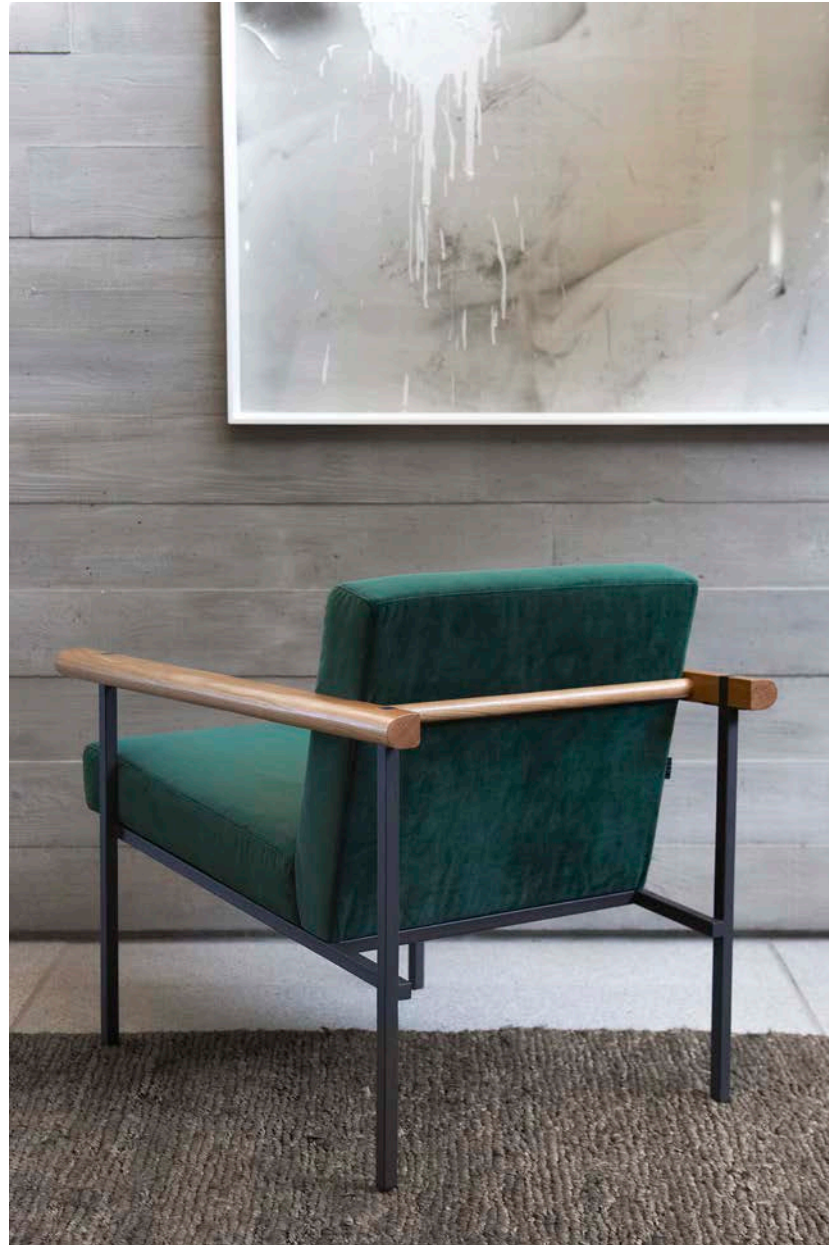


### ARMCHAIR

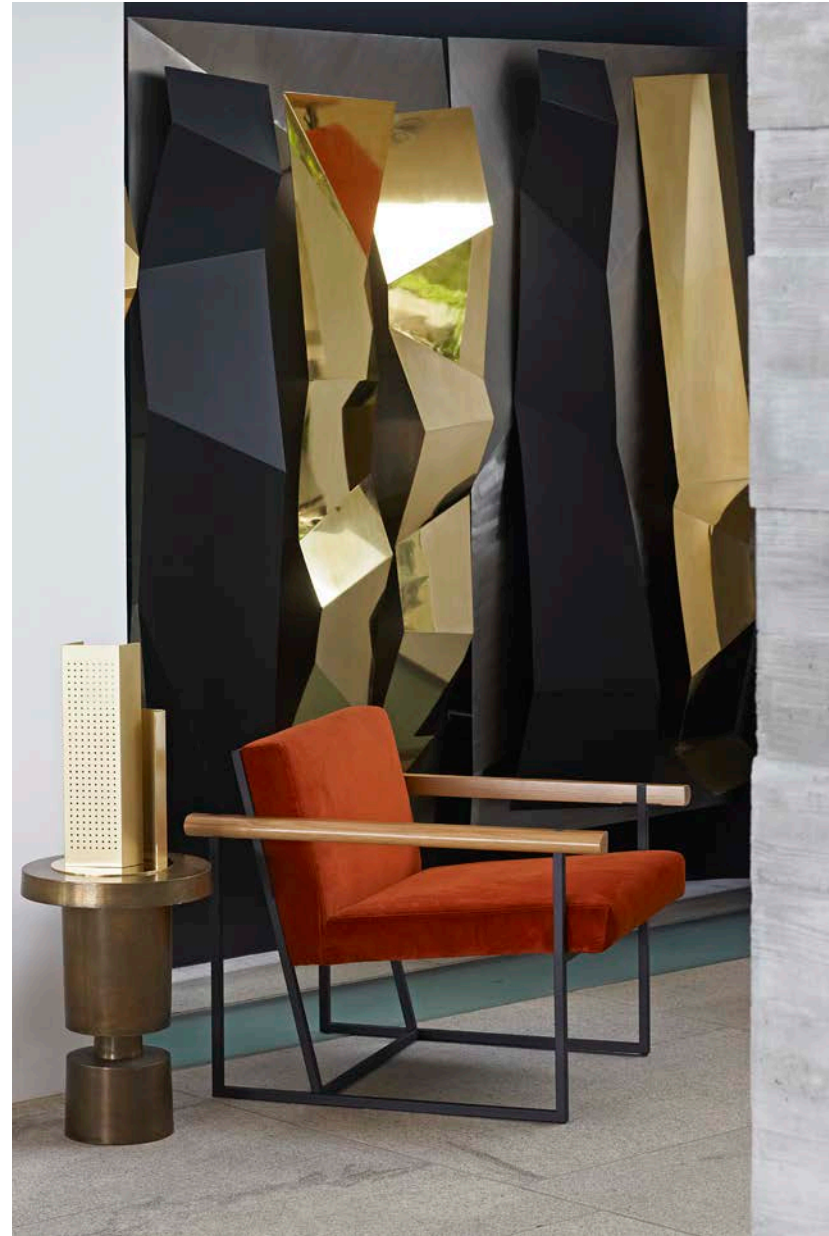
766W x 905D x 810H mm  
**SEAT HEIGHT** 375mm

Mild Steel frame construction in Ferrograin powdercoating with solid timber arms, dual density foam cushion and upholstered in leather.

VINCE



RAY



RAY



# OKHA

## RAY | ARMCHAIRS

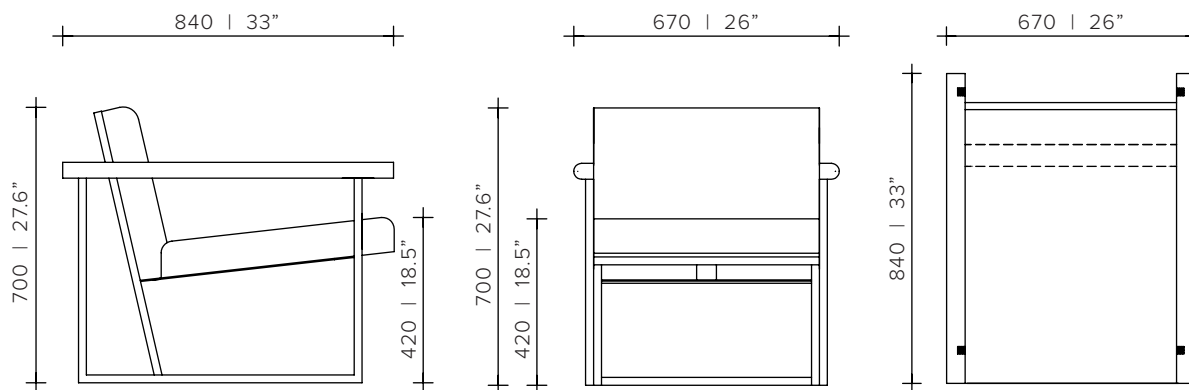


### DESCRIPTION

Mild Steel frame construction in Ferrograin powdercoating with solid timber arms, dual density foam cushion and upholstered in leather.

### DIMENSIONS

670W x 840D x 700H mm  
26"W x 33"D x 27.6"H  
SEAT HEIGHT 470 mm | 18.5"





# OKHA

## VINCE | ARMCHAIRS

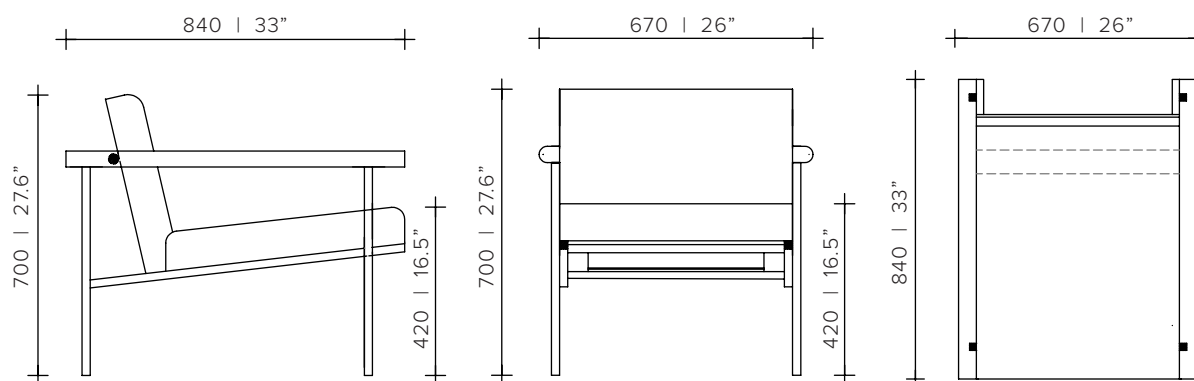


### DESCRIPTION

Mild Steel frame construction in Ferrograin powdercoating with solid timber arms, dual density foam cushion and upholstered in leather.

### DIMENSIONS

670W x 840D x 700H mm  
26"W x 33"D x 27.6"H  
SEAT HEIGHT 420 mm | 16.5"





## CONNECT


 [www.okha.com](http://www.okha.com)

 [info@okha.com](mailto:info@okha.com)

 +27 21 461 7233

 [okhadesign](#)

 [okhadesign](#)

 [okhadesign](#)

 109 Hatfield Street  
Gardens  
Cape Town  
8001  
South Africa

OKHA