

### DIMENSIONS

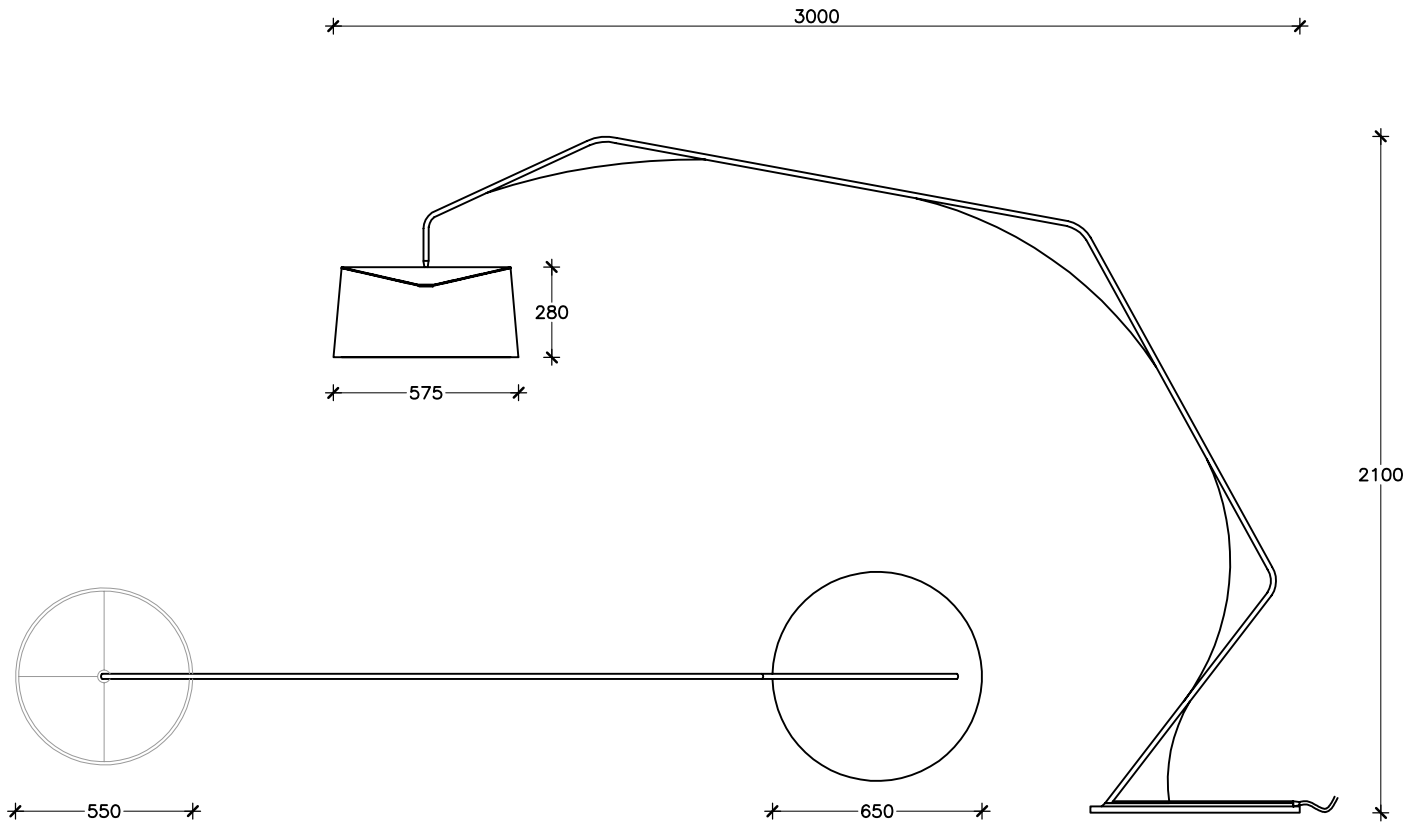
1979W x 773D x 2125H mm

### DESCRIPTION

Available in black or white powder coated finish.

### MATERIALS

Powder coated mild steel tube with recessed LED light.



### DIMENSIONS

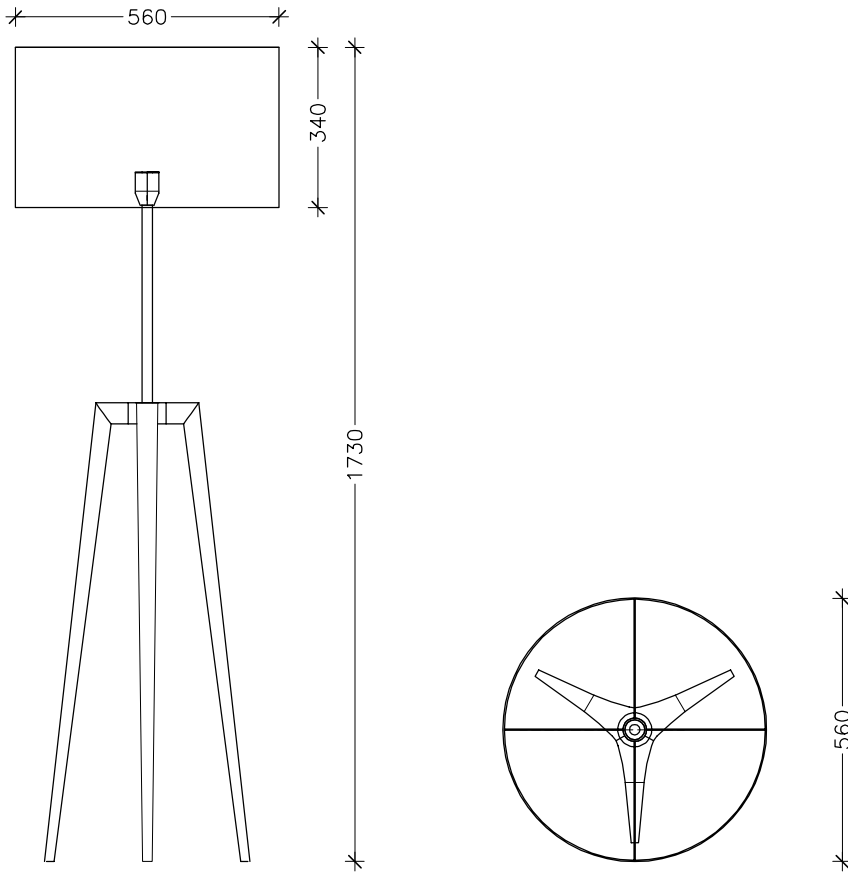
3000W x 650D x 2100H mm - incl. shade

### MATERIALS

Available in black or white powder coat finish,  
or mirror coated stainless steel

### DESCRIPTION

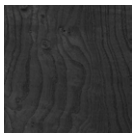
Cantilevered structure available in black or white powder coat finish or mirror polished stainless steel. Dimmable foot switch. Cotton drum shade.



### WOOD OPTIONS



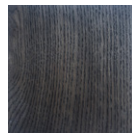
Natural Oak



Carbon Oak



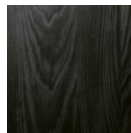
Chalked Oak



Mocca Oak



Natural Ash



Carbon Ash



Walnut

### DIMENSIONS

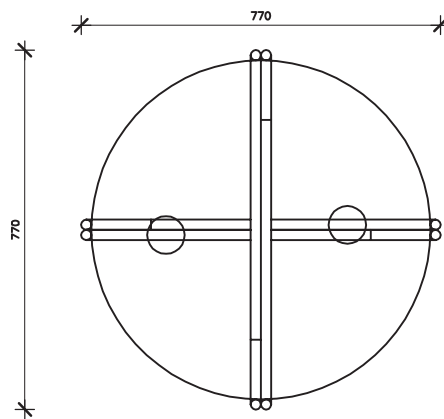
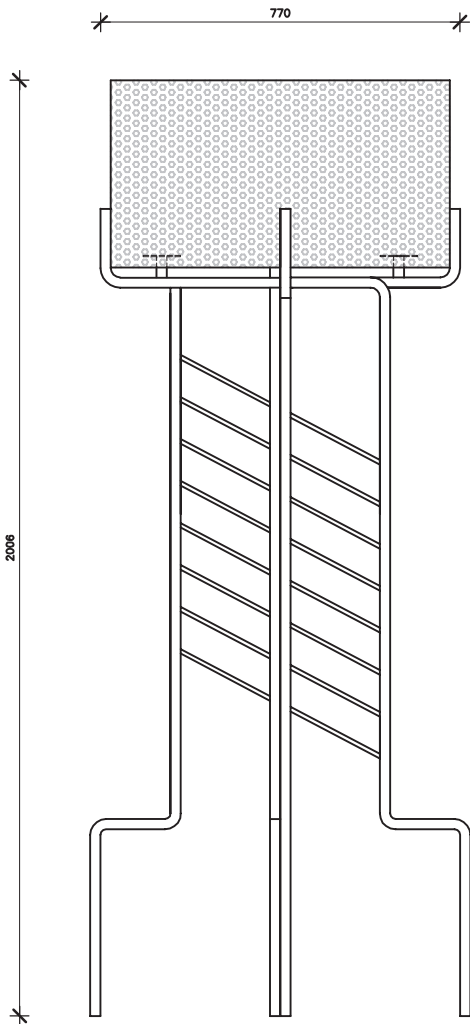
560D x 1730H mm - incl. shade

### DESCRIPTION

Naturally oiled solid walnut or oak base structure with choice of copper or brass stem. Drum shaped cotton shade.

### MATERIALS

Naturally oiled solid oak base structure with a brass stem and a drum shaped cotton shade.



### DIMENSIONS

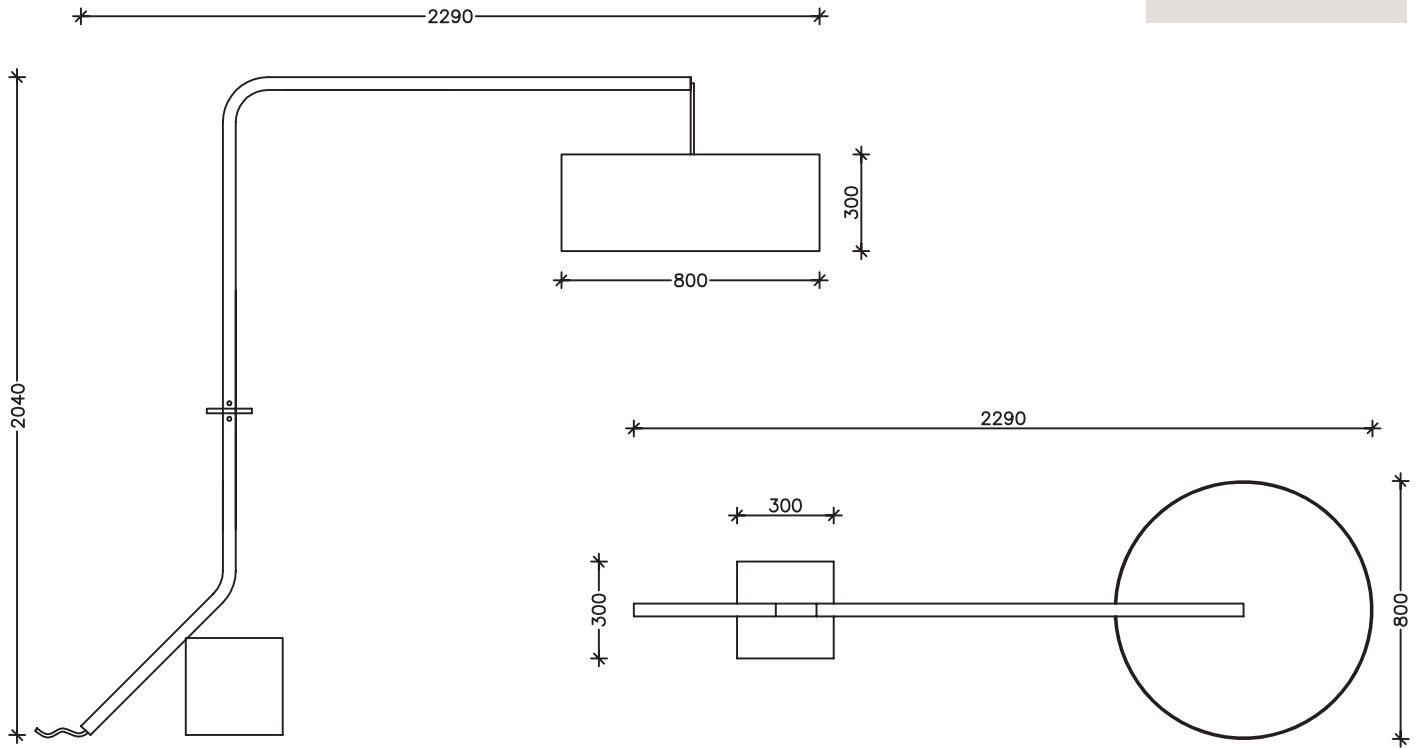
770D x 2006H mm - incl. shade

### DESCRIPTION

Powdercoated mild steel tube structure with perforated powdercoated aluminium drum shape, with a dimmable foot switch. Available in black or white powdercoated finish.

### MATERIALS

Black powder coated mild steel tube structure with a perforated aluminium drum shaped shade and a dimmable foot switch.



### DIMENSIONS

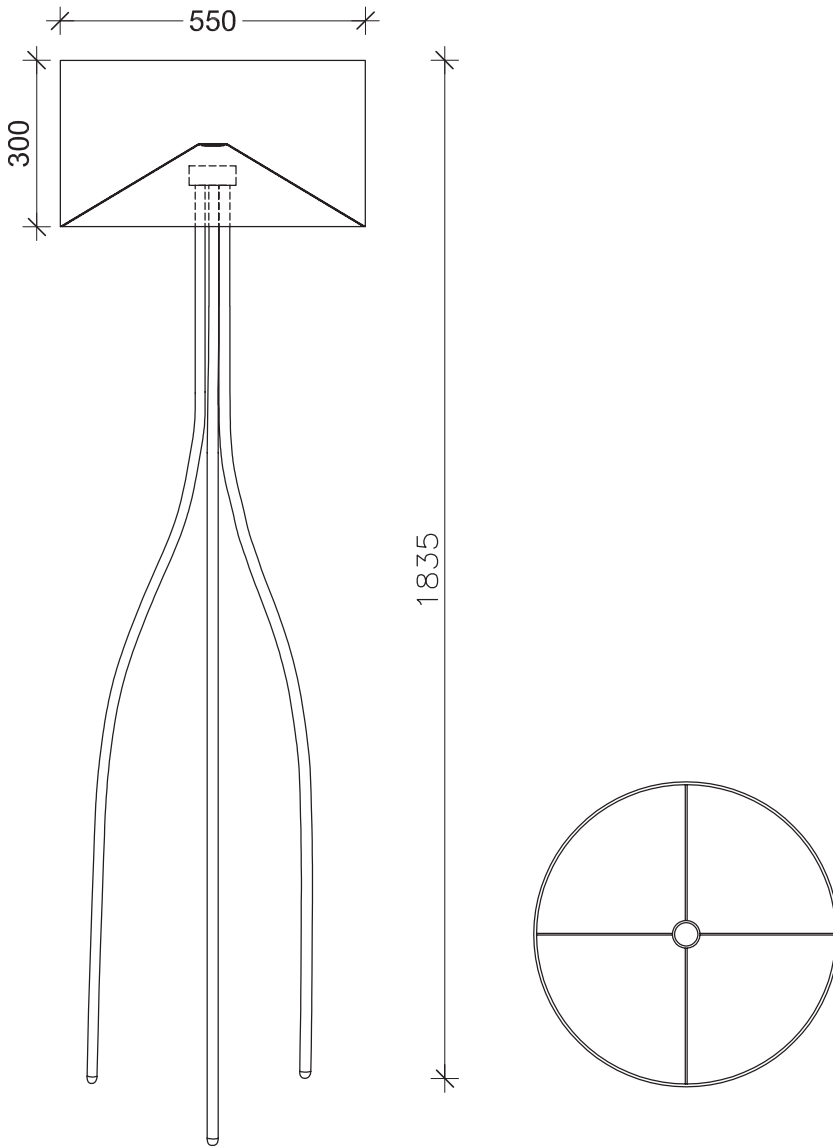
2290W x 800D x 2040H - incl. shade

### DESCRIPTION

Available in black or white powdercoated finish.

### MATERIALS

40mm Stainless steel counterweight and arm with a drum shaped cotton shade, available in black, white, grey or stone.



### DIMENSIONS

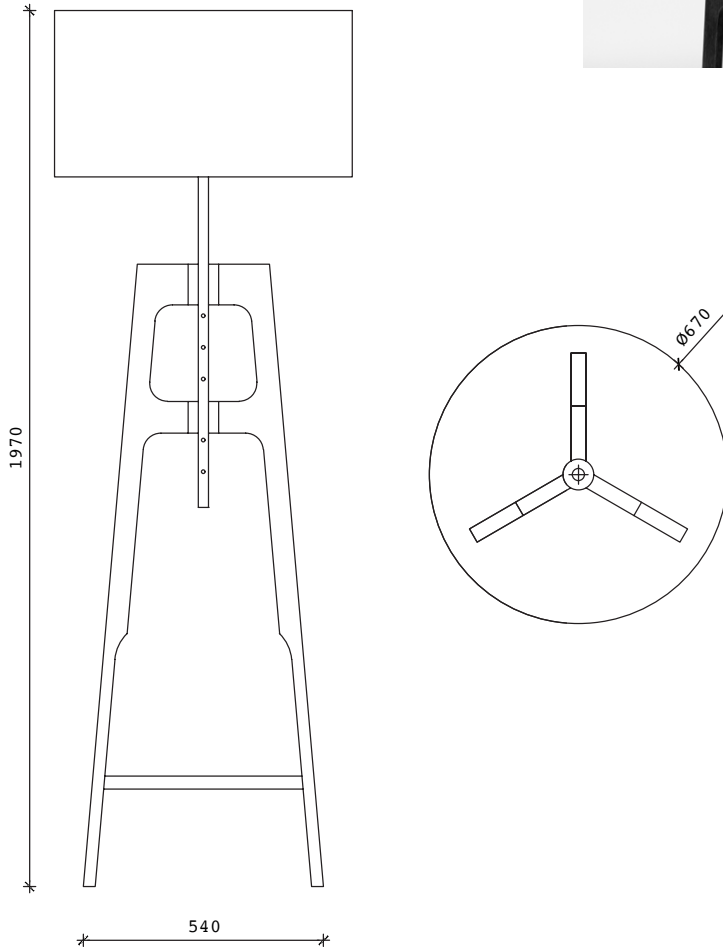
550W x 1835D mm - incl. shade

### DESCRIPTION

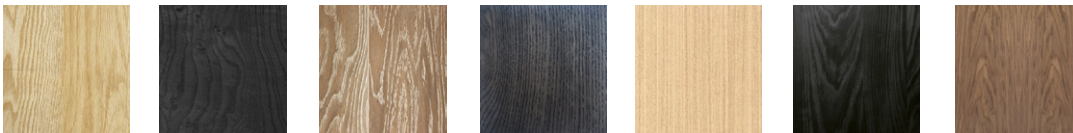
Powder coated steel tube base with drum shaped cotton shade.

### MATERIALS

Available in black or white powder coat finish.



### WOOD OPTIONS



Natural Oak

Carbon Oak

Chalked Oak

Mocca Oak

Natural Ash

Carbon Ash

Walnut

### DIMENSIONS

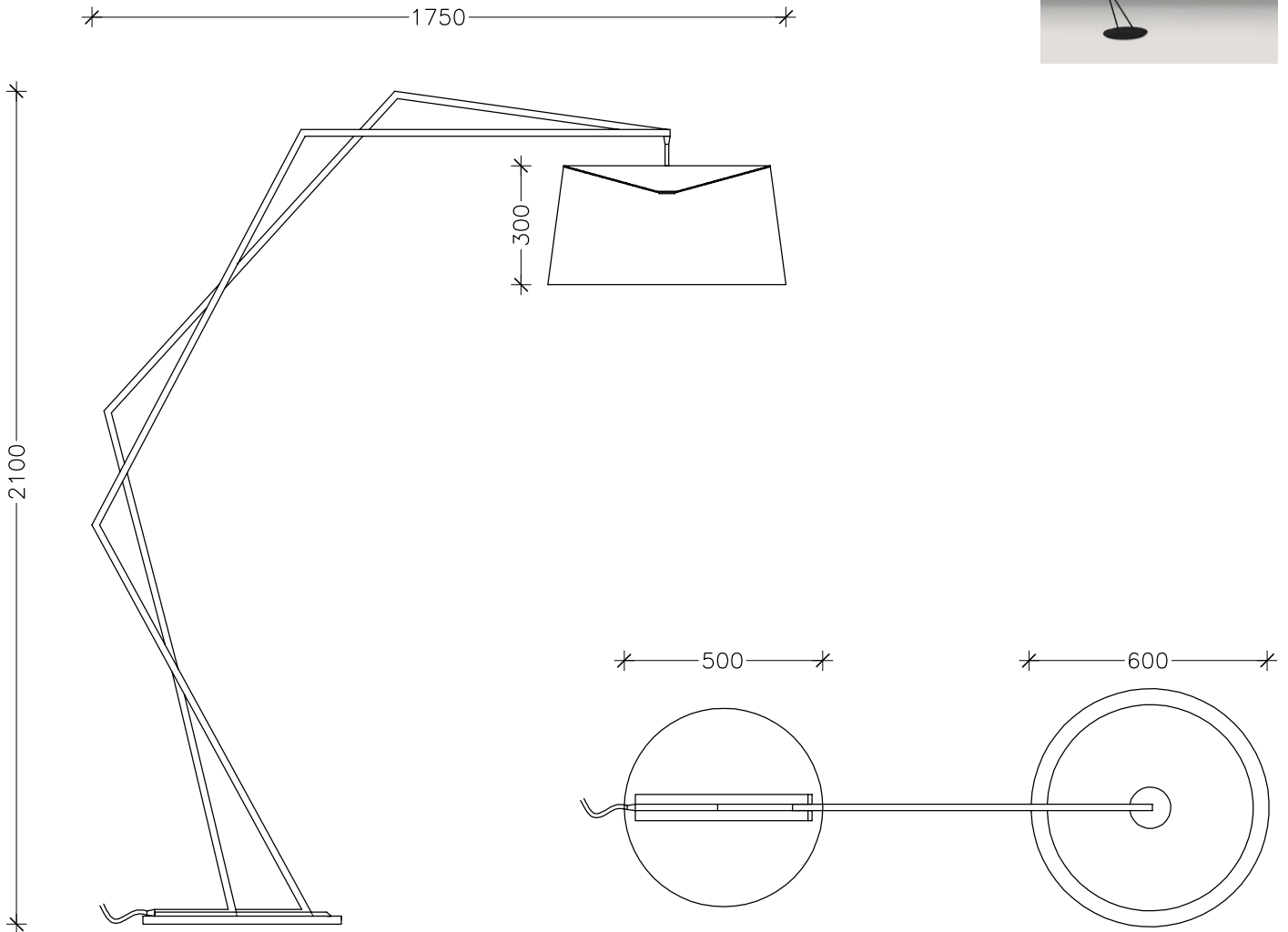
670D x 1900 - 2200 H mm

### MATERIALS

Solid oak base, paper, linen or cotton shade.

### DESCRIPTION

Adjustable height floor lamp. Solid oak base. Paper, linen or cotton shade.



### DIMENSIONS

1750W x 500D x 2100H mm - incl. shade

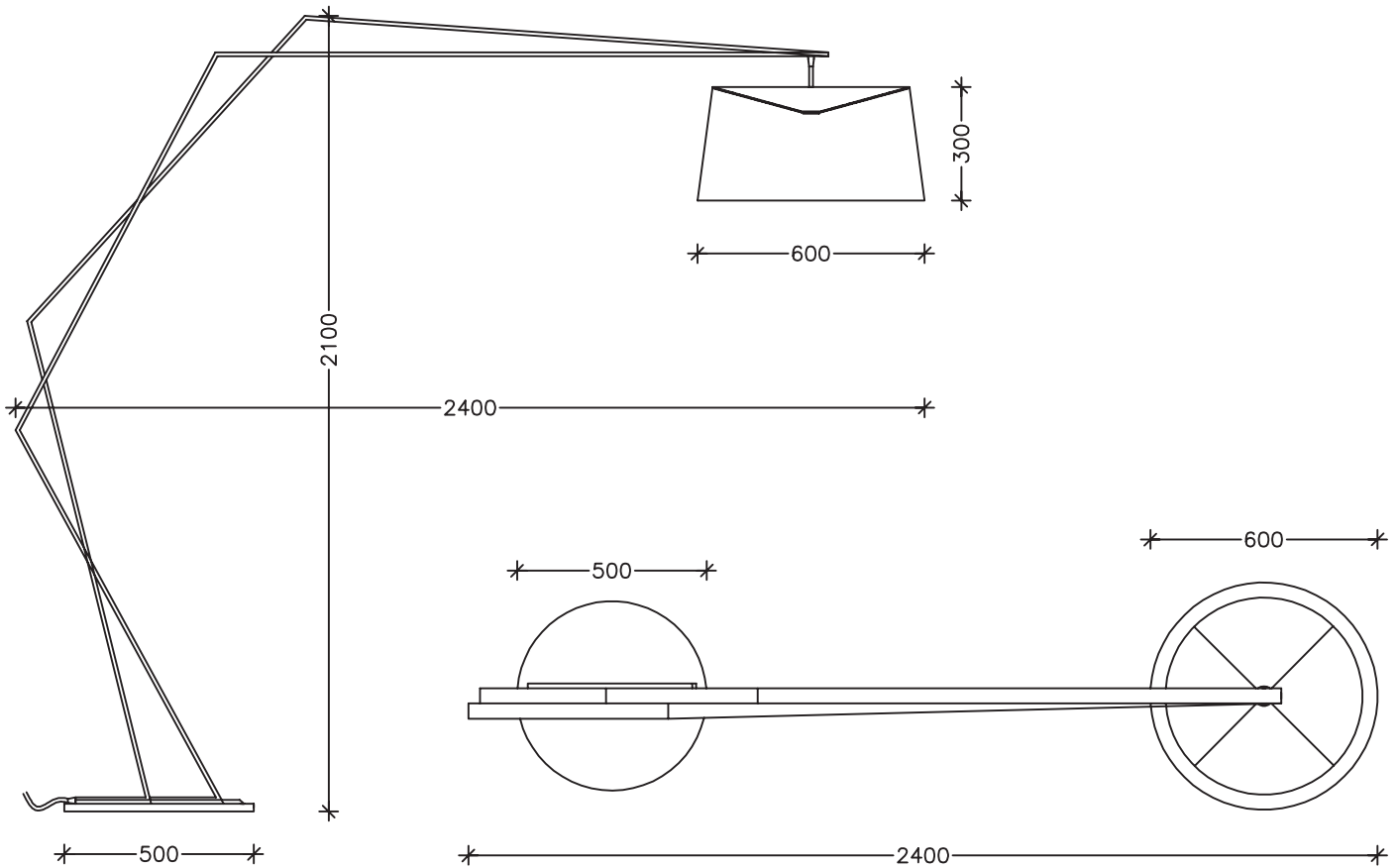
### DESCRIPTION

Powder coated mild steel floor lamp available in black or white with a dimmable foot switch. Cotton drum shade.

### MATERIALS

White powder coated mild steel floor lamp with a dimmable foot switch and cotton drum shade.





### DIMENSIONS

2400W x 500D x 2100H mm - incl. shade

### DESCRIPTION

Powder coated mild steel floor lamp available in black or white with a dimmable foot switch. Cotton drum shade.

### MATERIALS

White powder coated mild steel floor lamp with a dimmable foot switch and cotton drum shade.