

DIMENSIONS

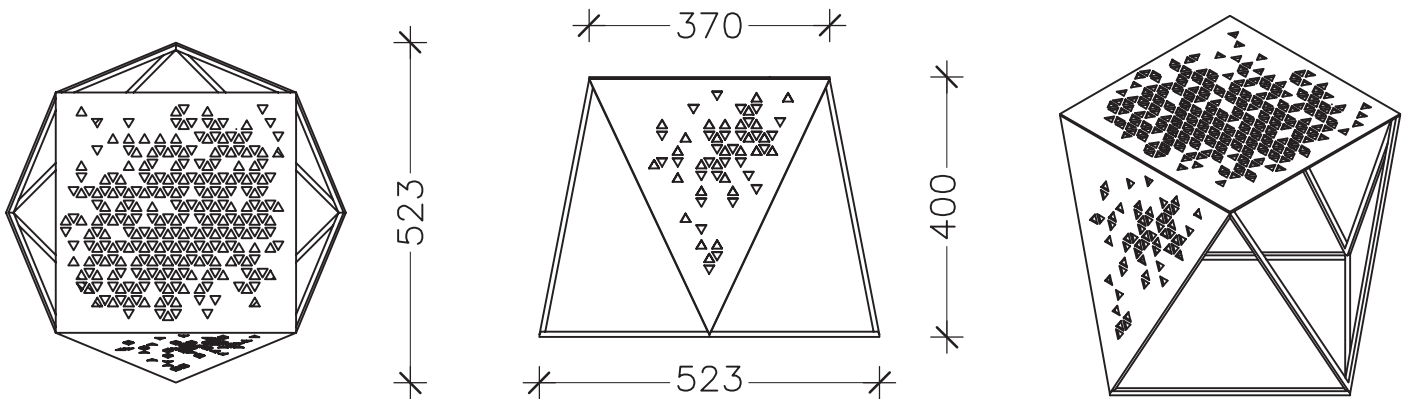
532D x 392H mm

DESCRIPTION

Mirror polished stainless steel frame, toughened glass top available in clear, grey or bronze tint.

MATERIALS

Mirror polished stainless steel frame with a bronze tinted glass top.



DIMENSIONS

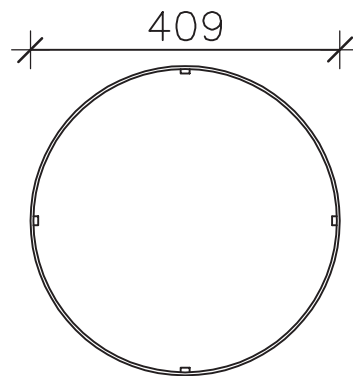
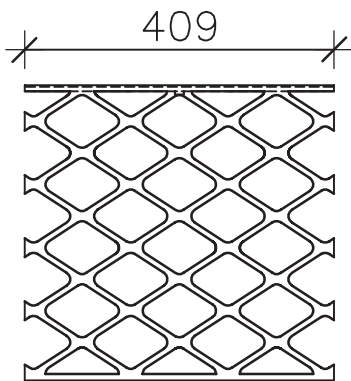
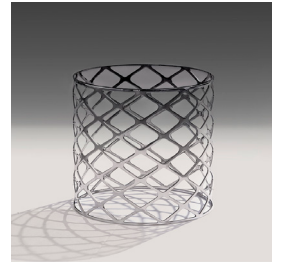
523W x 523D x 400H mm

DESCRIPTION

Mirror polished stainless steel or powder coated mild steel structure available in black or white.

MATERIALS

Mirror polished stainless steel structure.



DIMENSIONS

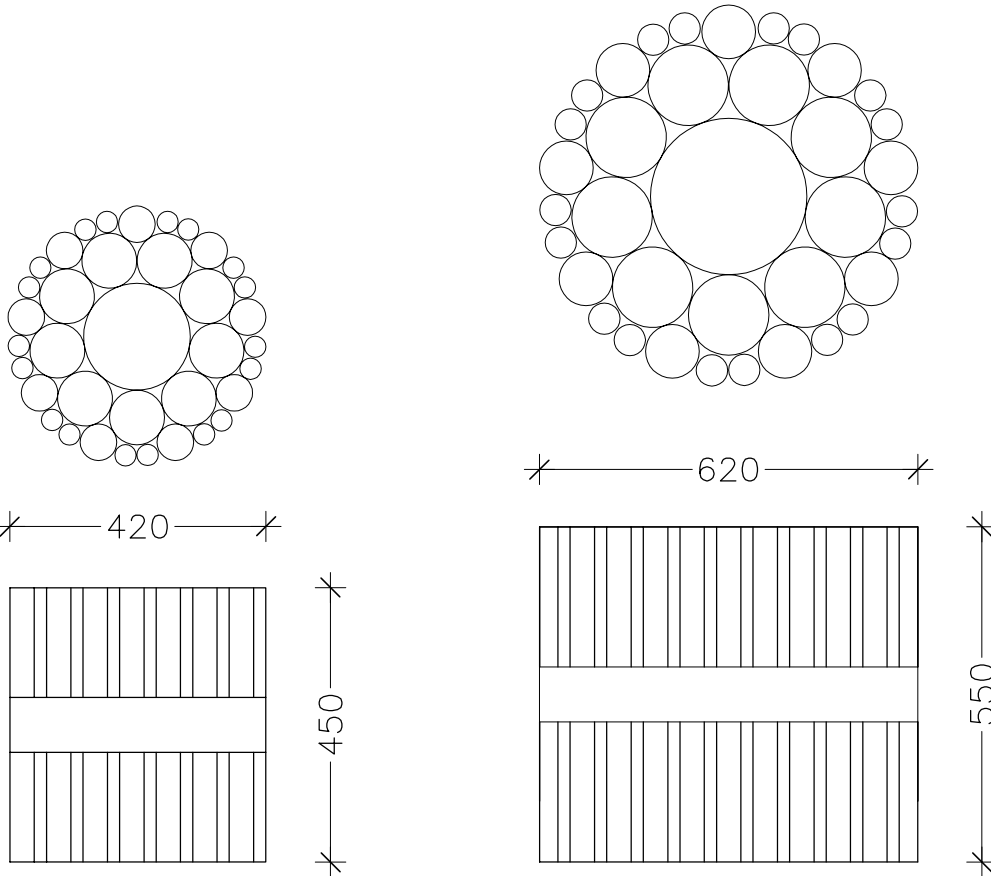
409D x 390H mm

DESCRIPTION

Mirror polished stainless steel frame, toughened glass top available in clear, grey or bronze tint.

MATERIALS

Mirror polished stainless steel frame with a bronze tinted glass top.



DIMENSIONS

SMALL: 420D x 450H mm

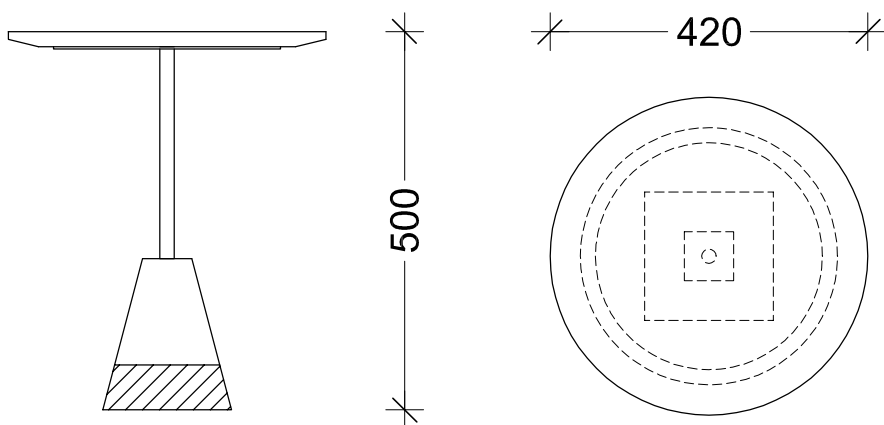
LARGE: 620D x 550H mm

DESCRIPTION

Naturally felled solid eucalyptus. Brass belt available in mirror polished steel, waxed mild steel, copper or brass.

MATERIALS

Mirror polished stainless steel, waxed mild steel, copper or brass belt.



DIMENSIONS

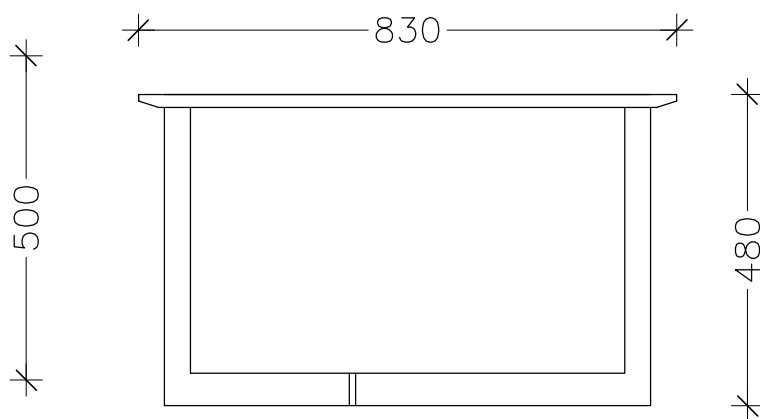
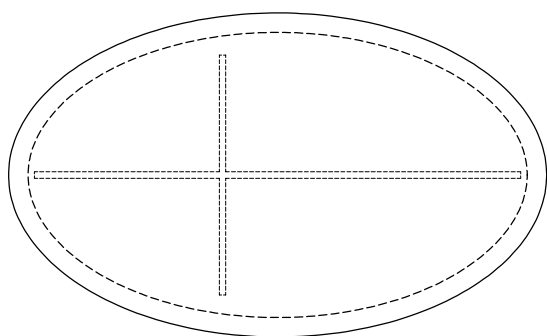
420D x 500H mm

DESCRIPTION

Weighted powder coated mild steel base available in black or white.

MATERIALS

Black powder coated mild steel base, Nero Marquina marble top.



DIMENSIONS

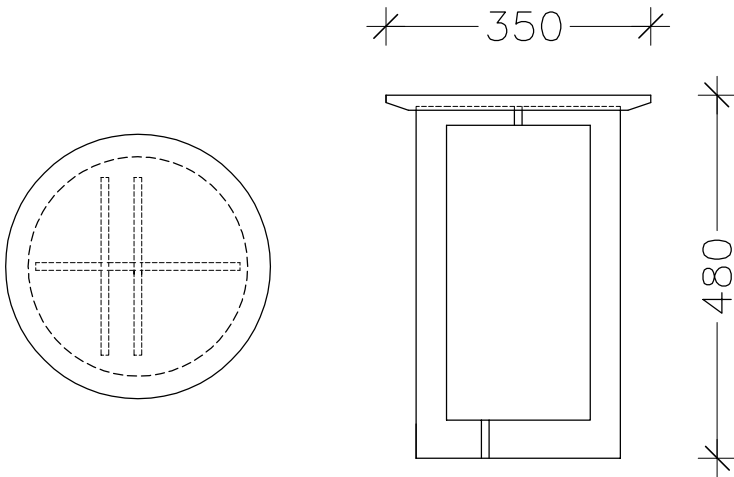
830W x 500D x 480H mm

DESCRIPTION

Steel base with a variety of top options.

MATERIALS

White powder coated mild steel base with marble table top.



DIMENSIONS

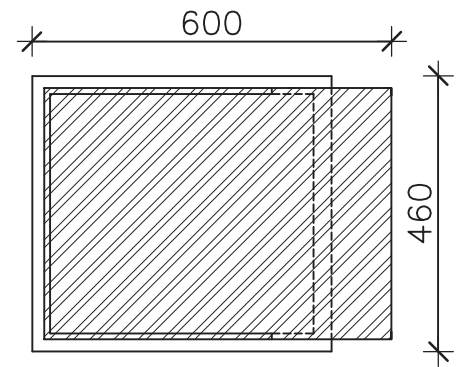
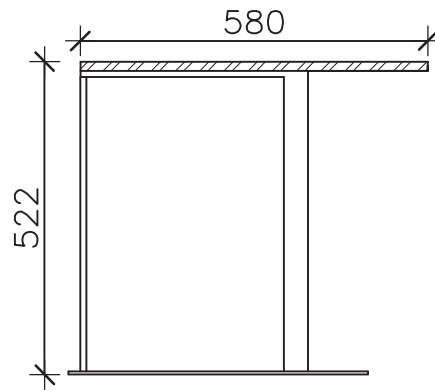
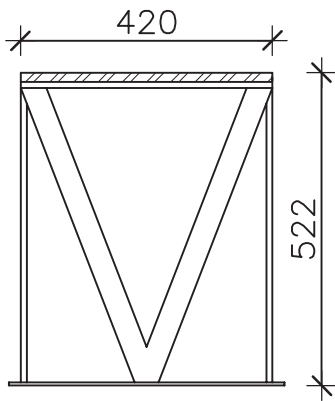
350W x 480H mm

DESCRIPTION

Steel base with a variety of top options.

MATERIALS

White powder coated mild steel base with marble table top.



DIMENSIONS

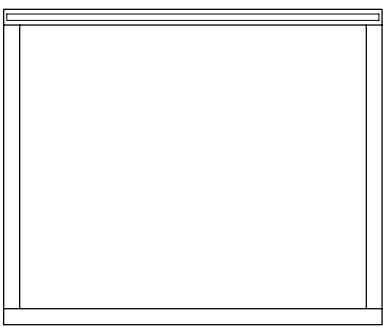
580W x 460D x 522H mm

DESCRIPTION

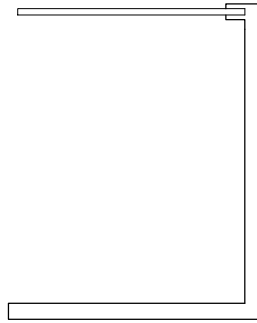
Steel base with a variety of options.

MATERIALS

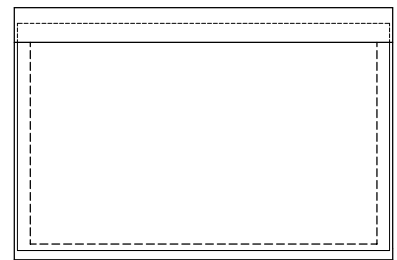
Mirror polished stainless steel base with a grey tinted glass top.



500



600



400

DIMENSIONS

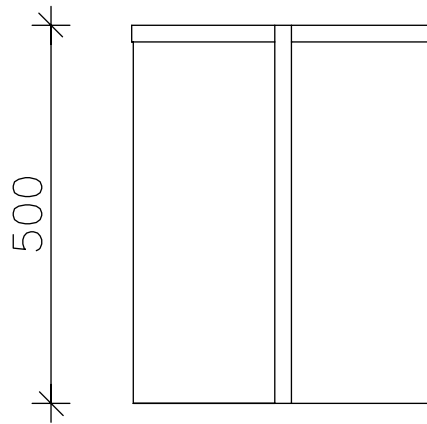
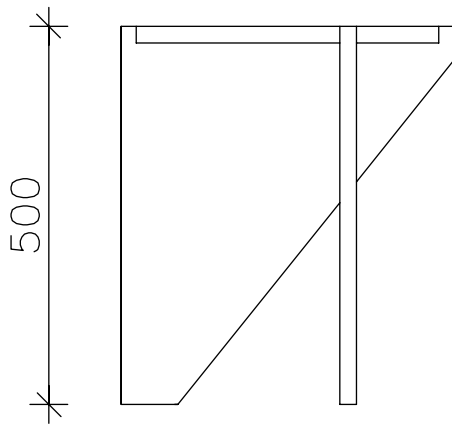
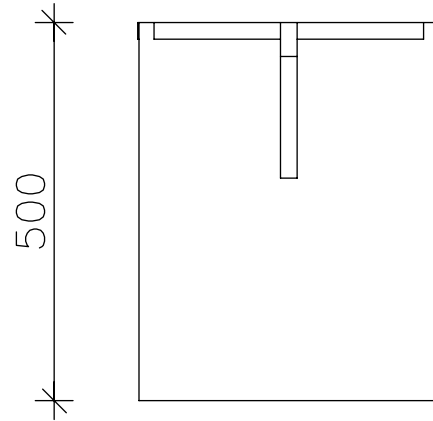
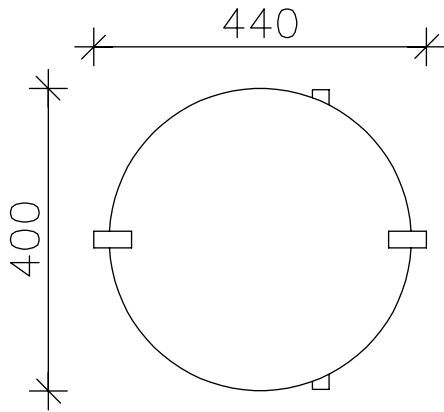
600W x 400D x 500H mm

DESCRIPTION

Mirror polished stainless steel base, toughened glass top available in clear, grey or bronze tint.

MATERIALS

Mirror polished stainless steel base with clear tinted glass top.



DIMENSIONS

440W x 400D x 500H mm

DESCRIPTION

Solid oak top and base.

MATERIALS

Mirror polished stainless steel base with clear tinted glass top.