

DIMENSIONS

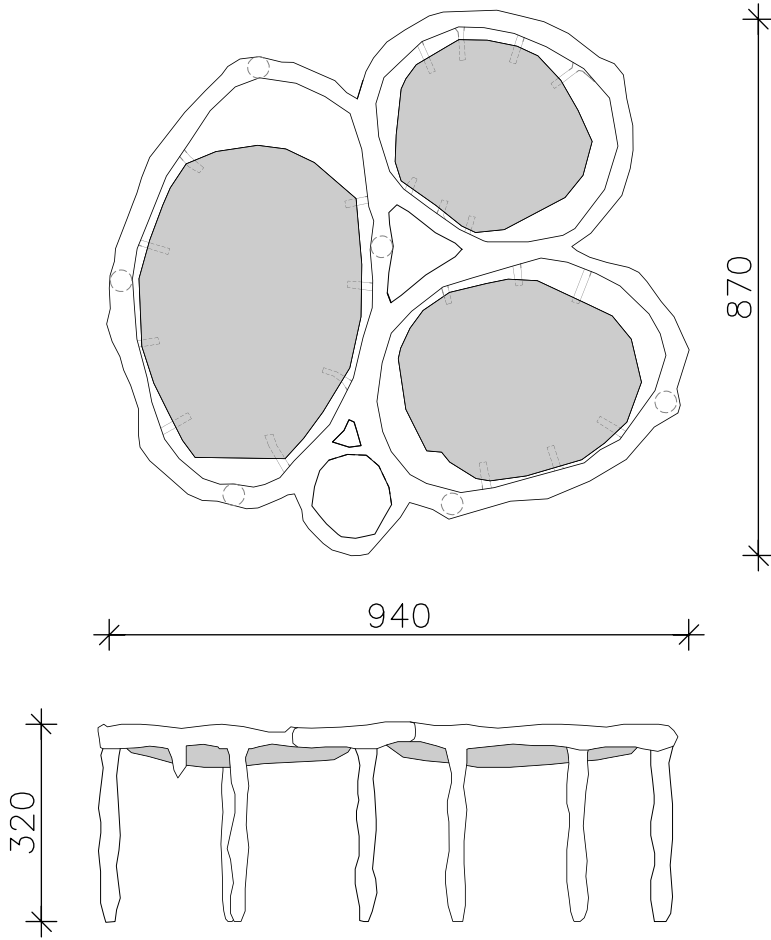
455W x 570D x 645H mm
TABLE TOP HEIGHT: 425 mm

DESCRIPTION

A Limited Edition series consisting of 16 unique hand-made pieces, in collaboration with South African artist and designer, Atang Tshikare.

MATERIALS

Frame: Solid cast, patinated bronze using the "Lost Wax" method.
Inserts: Tinted kiln-cast solid glass.



DIMENSIONS

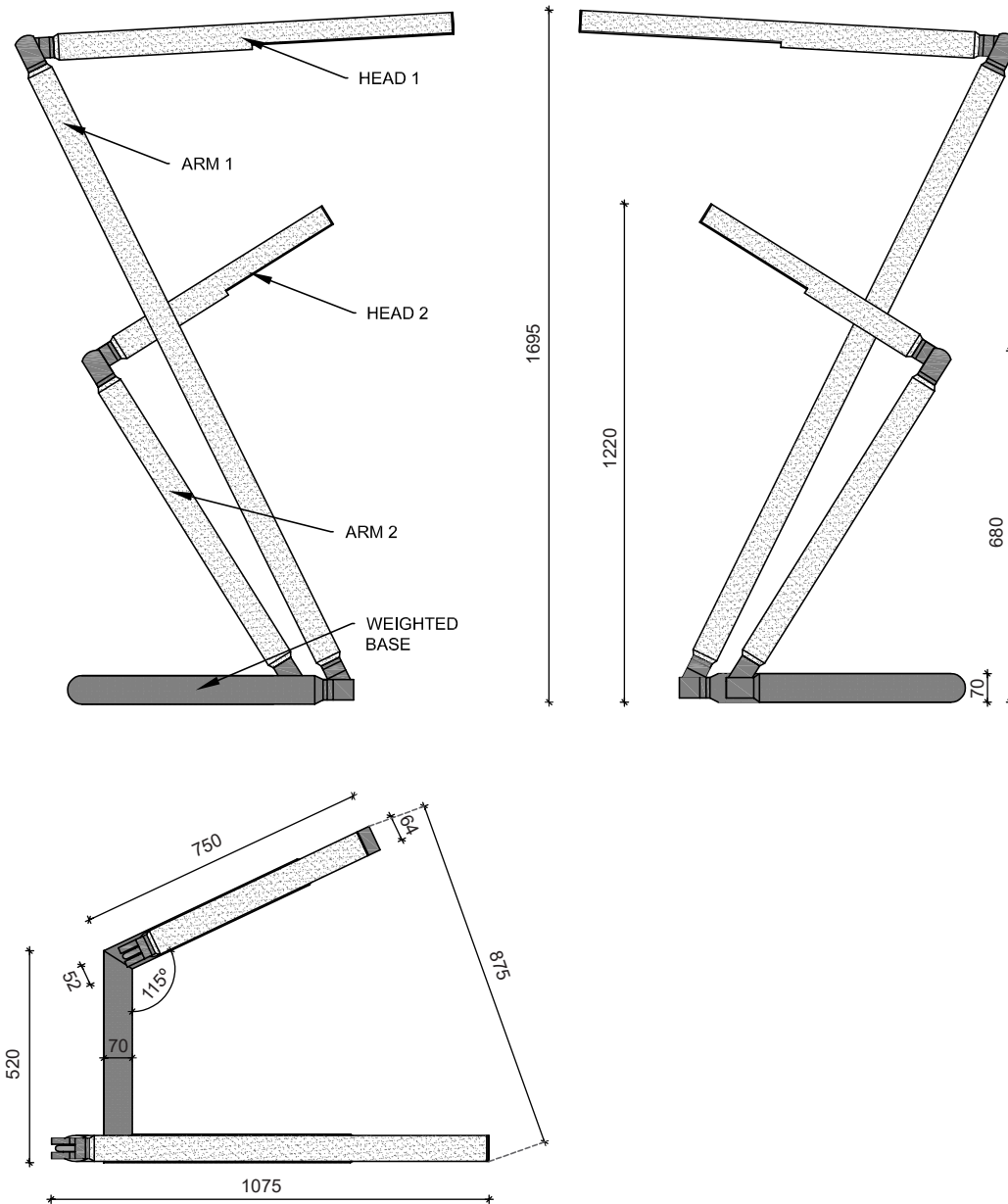
940W x 870D x 320H mm

DESCRIPTION

A Limited Edition series consisting of 16 unique hand-made pieces, in collaboration with South African artist and designer, Atang Tshikare.

MATERIALS

Frame: Solid cast, patinated bronze using the "Lost Wax" method.
Inserts: Tinted kiln-cast solid glass.



DIMENSIONS

875W x 1075D x 1695H mm

DESCRIPTION

A Limited Edition series consisting of 16 unique hand-made standing lamps, in collaboration with South African artist and designer, Atang Tshikare. Stainless steel construction, clad in hand-carved Obeche timber. Nôga is the Setswana word for snake.

MATERIALS

Stainless steel frame construction clad in Obeche timber. All visible joints and base constructed from Leaded Gunmetal Bronze (AKA Red Brass). LED light in each lamp head.