

### DIMENSIONS

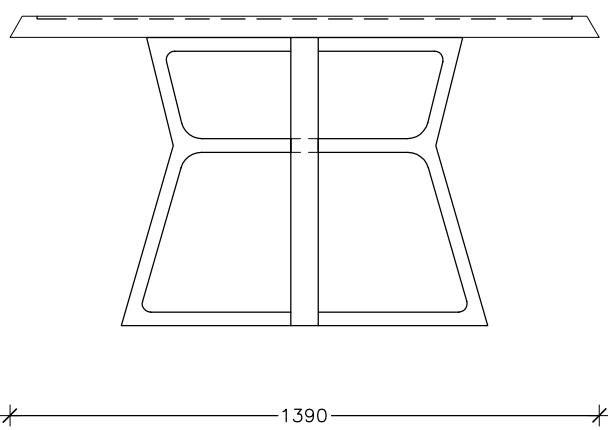
2400W x 1244D x 730H mm

### DESCRIPTION

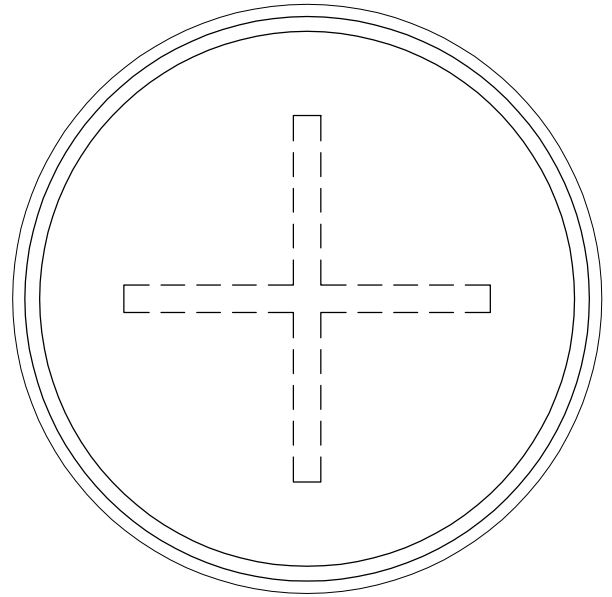
Powder coated mild steel base available in black or white.  
Table top available in Nero Marquina or Volakas marble. An additional choice of honed or polished marble tops is available upon request.

### MATERIALS

Marble top with powder coated mild steel base.



730



### WOOD OPTIONS



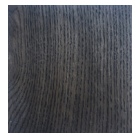
Natural Oak



Carbon Oak



Chalked Oak



Mocca Oak



Natural Ash



Carbon Ash



Walnut

### DIMENSIONS

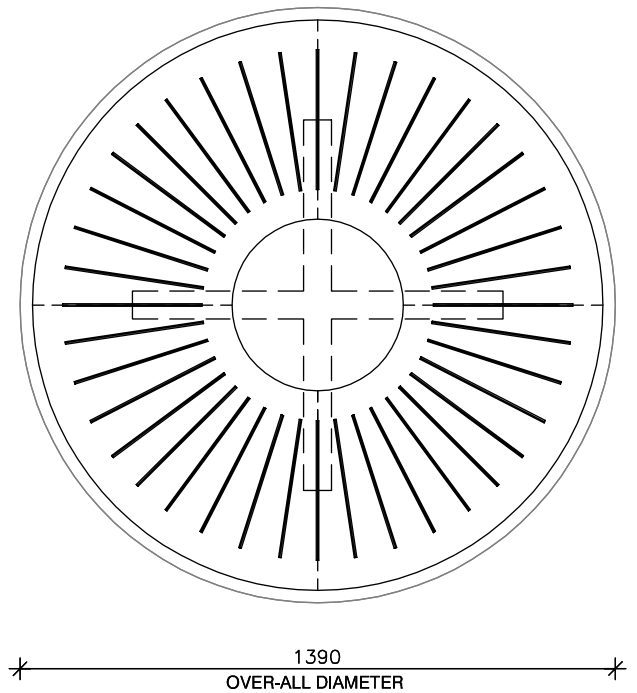
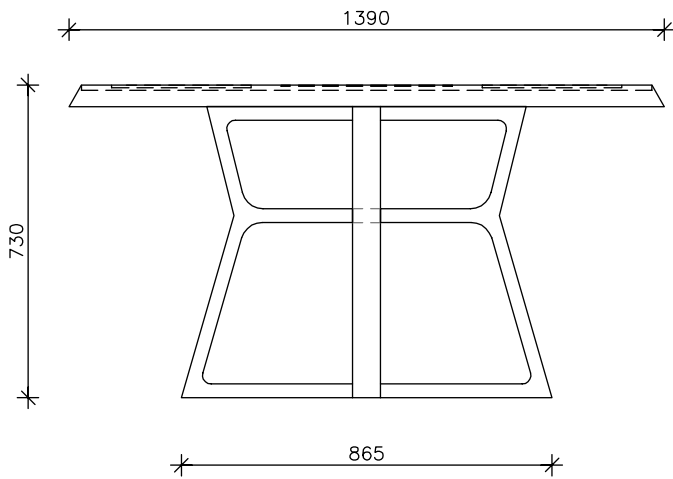
1390D x 730H mm

### DESCRIPTION

Walnut or oak table available in natural, white or carbon stain with option of either glass or marble inlay top (upon request). Also available in walnut.

### MATERIALS

Walnut table with bronze tinted 6mm glass insert.



### WOOD OPTIONS



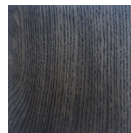
Natural Oak



Carbon Oak



Chalked Oak



Mocca Oak



Natural Ash



Carbon Ash



Walnut

### DIMENSIONS

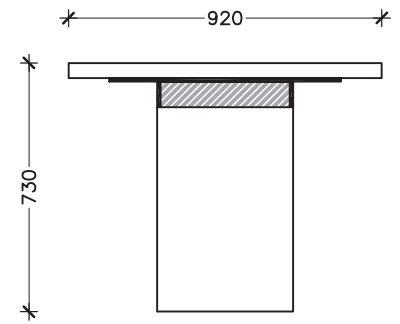
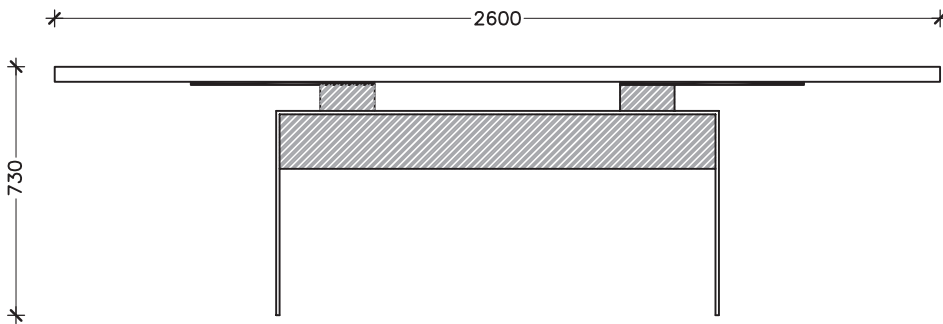
1390D x 730H mm

### MATERIALS

Walnut table with bronze tinted 6mm glass insert.

### DESCRIPTION

Walnut or oak table available in natural, white or carbon stain with option of either glass or marble inlay top (upon request). Also available in walnut.



### WOOD OPTIONS



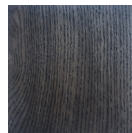
Natural Oak



Carbon Oak



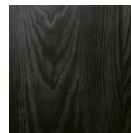
Chalked Oak



Mocca Oak



Natural Ash



Carbon Ash



Walnut

### DIMENSIONS

2600W x 920D x 730H mm

### DESCRIPTION

Solid oak structure with veneered composite top available in natural, white or carbon stain. Also available in walnut. Base options: black or white powder coated mild steel base.

### MATERIALS

Natural oak structure with veneered composite top, black powder coated mild steel base.