

DIMENSIONS

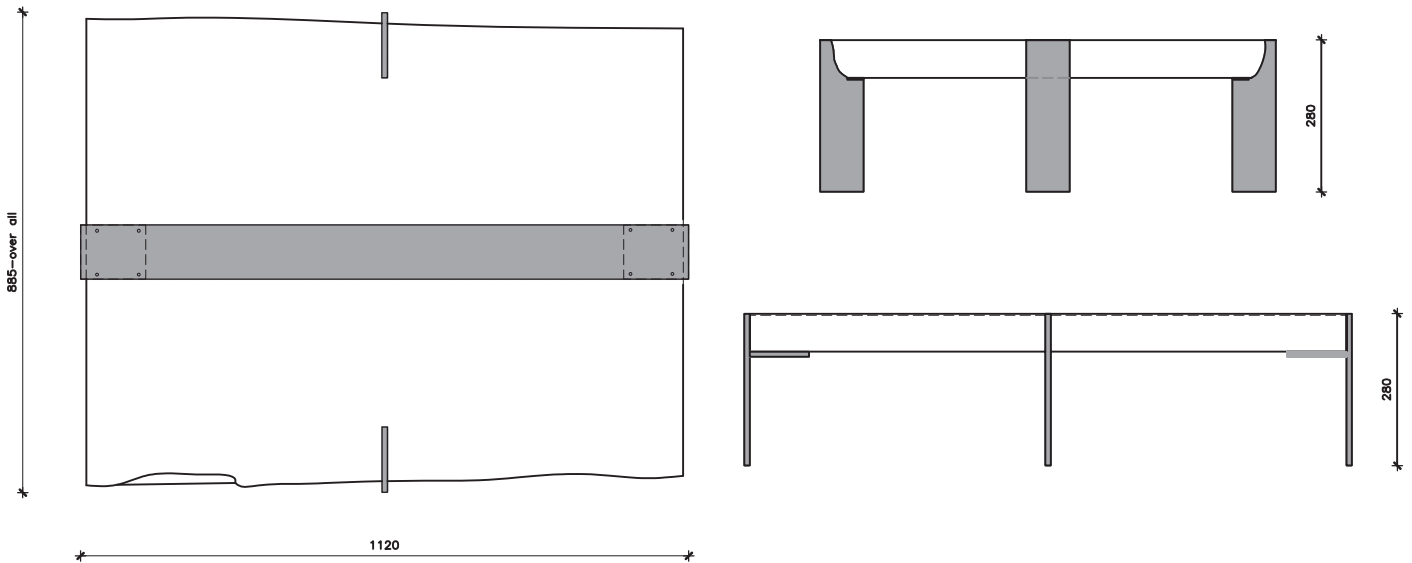
900D x 392H mm

DESCRIPTION

Mirror polished stainless steel frame, toughened glass top available in clear, grey or bronze tint.

MATERIALS

Mirror polished stainless steel frame with a bronze tinted glass top.



WOOD OPTIONS



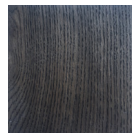
Natural Oak



Carbon Oak



Chalked Oak



Mocca Oak



Natural Ash



Carbon Ash



Walnut

DIMENSIONS

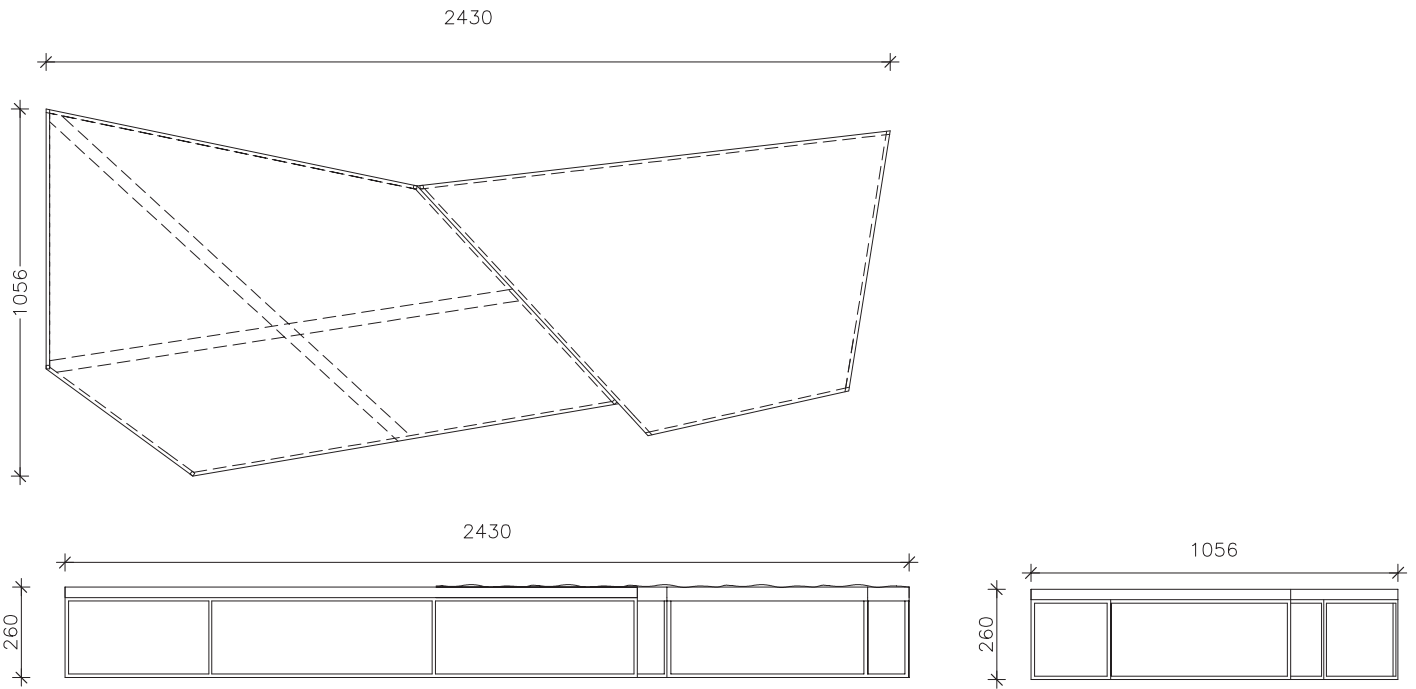
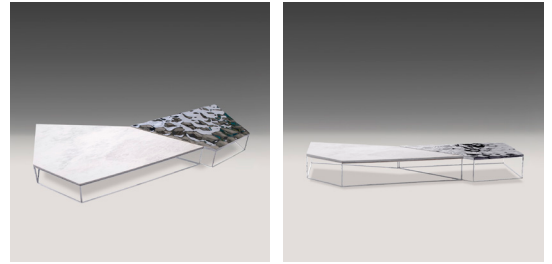
1120W x 885D x 280H mm

MATERIALS

Solid Panga Panga wooden top with brass leg detail.

DESCRIPTION

Solid Panga Panga wooden top with brass leg detail.



DIMENSIONS

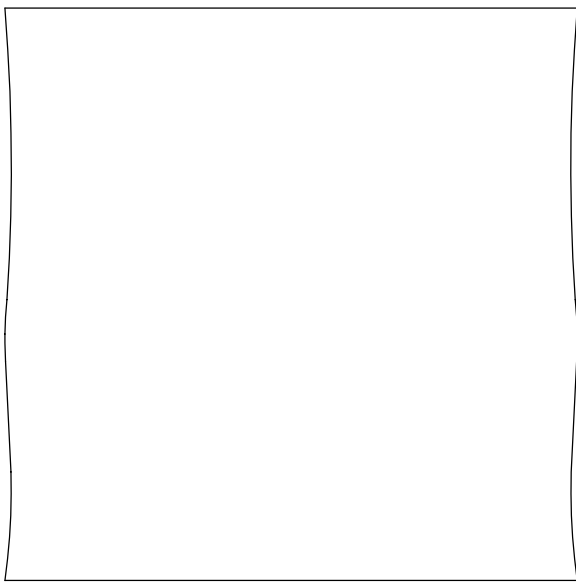
2430W x 1056D x 260H mm

DESCRIPTION

Mirror polished stainless steel frame. Table 1: Undulated top. Table 2: 20mm Volakas marble top. Also available in Nero Marquina. An additional choice of polished marble tops are available upon request.

MATERIALS

Mirror polished stainless steel frame,
Table 1: Undulated top; Table 2: Volakas marble top.



1200

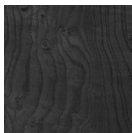
1200

240

WOOD OPTIONS



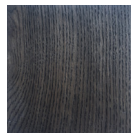
Natural Oak



Carbon Oak



Chalked Oak



Mocca Oak



Natural Ash



Carbon Ash



Walnut

DIMENSIONS

1200W x 1200D x 240H mm

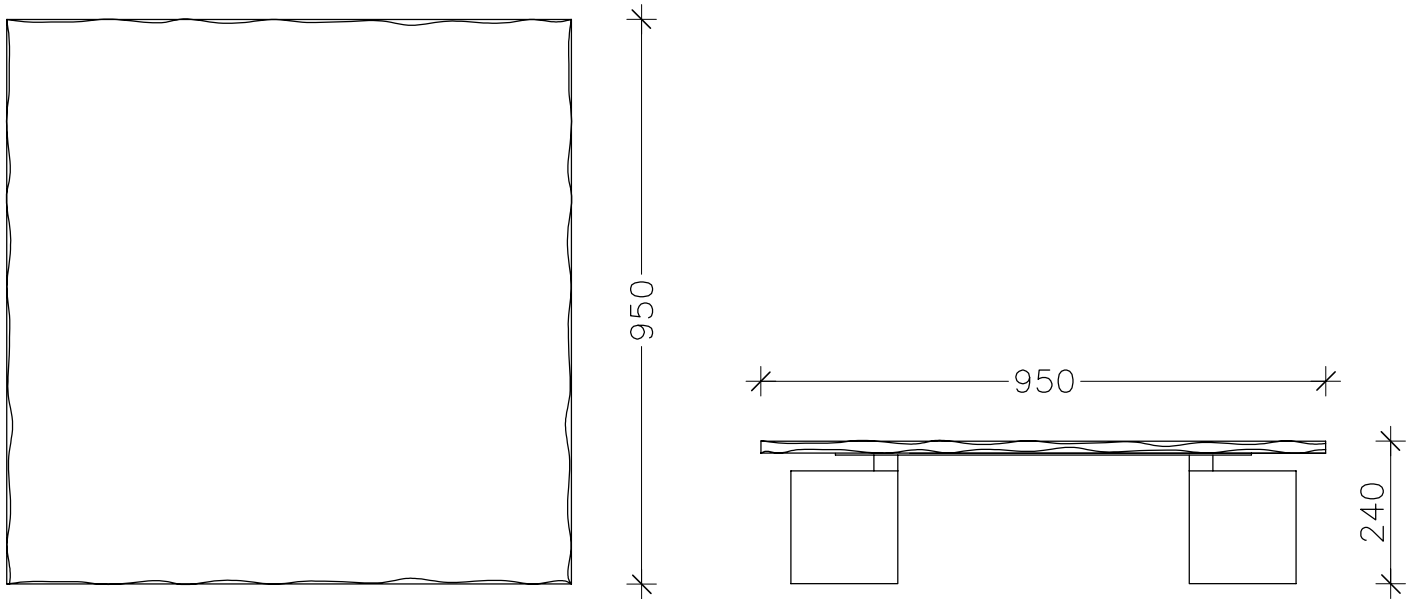
DESCRIPTION

Mirror polished stainless steel base and support. Available in oak or walnut.

MATERIALS

Mirror polished stainless steel base and support, yellow wood top.

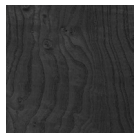
DESIGNED BY OKHA



WOOD OPTIONS



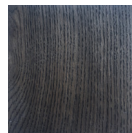
Natural Oak



Carbon Oak



Chalked Oak



Mocca Oak



Natural Ash



Carbon Ash



Walnut

DIMENSIONS

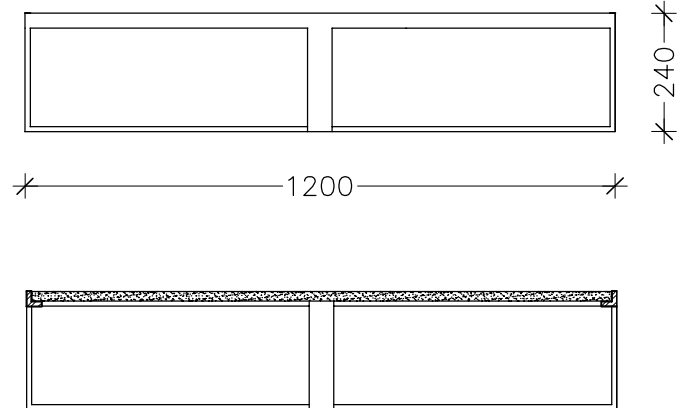
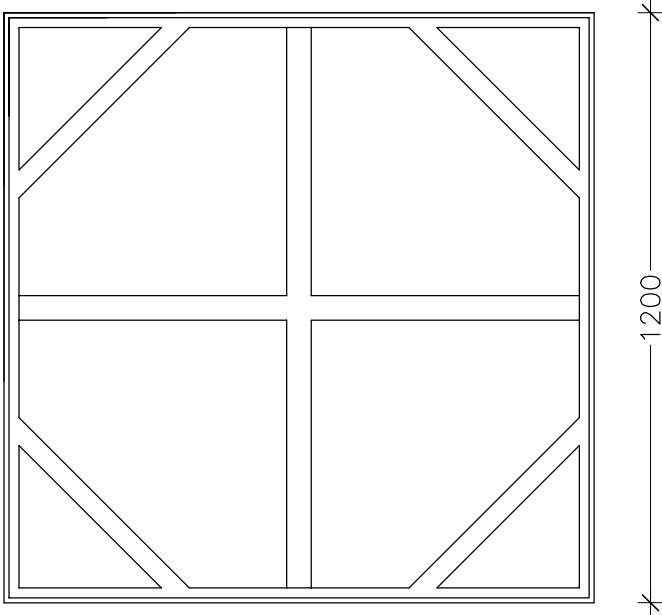
950W x 950D x 240H mm

DESCRIPTION

Mirror polished stainless steel base and support. Available in nero marquina or volakas. An additional choice of polished marble tops is available upon request.

MATERIALS

Mirror polished stainless steel base and support, marble top.



DIMENSIONS

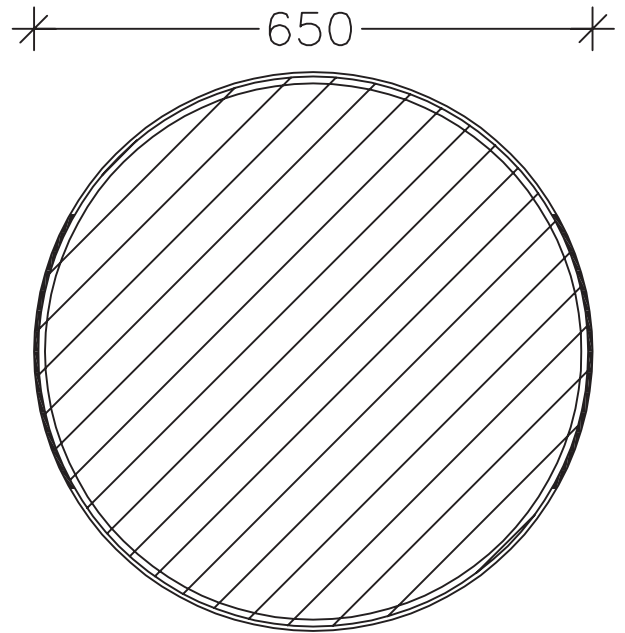
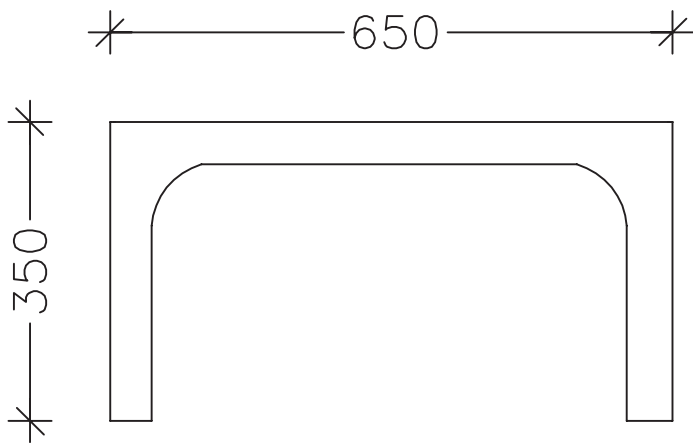
1200W x 1200D x 240H mm

DESCRIPTION

Mirror polished stainless steel frame. Table top available in 10mm tinted glass, Nero Marquina or Volakas marble. An additional choice of polished marble tops are available upon request.

MATERIALS

Nero Marquina marble top, mirror polished stainless steel frame.



DIMENSIONS

SMALL: 650D x 350H mm

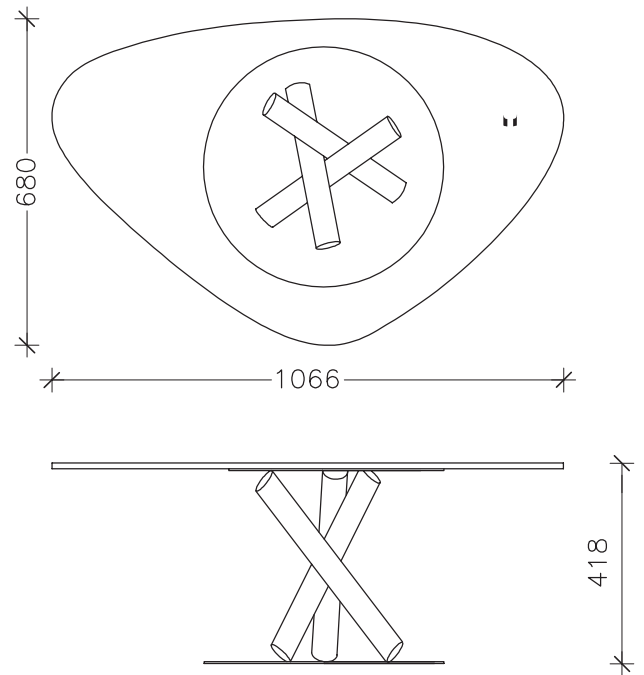
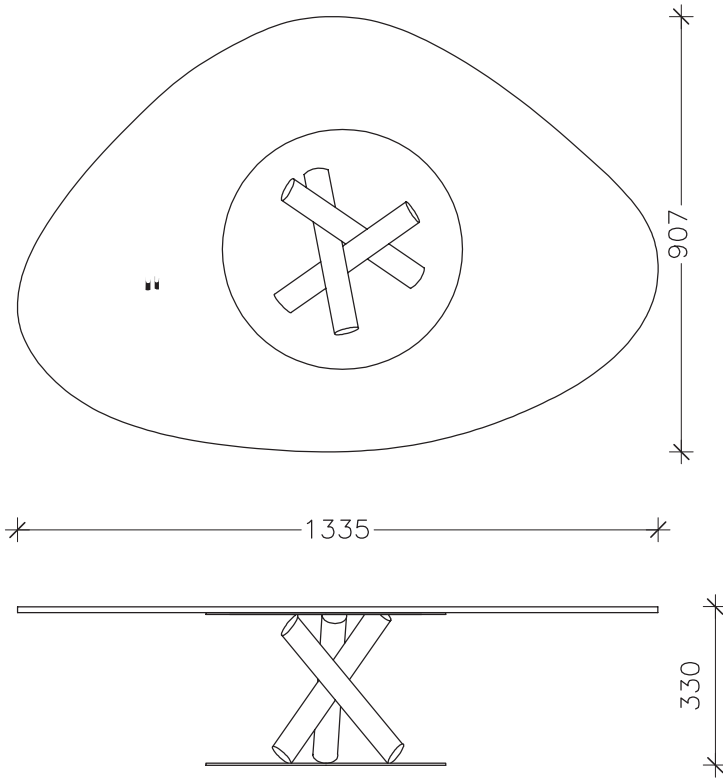
LARGE: 1000D x 270H mm

DESCRIPTION

Mild steel powder coated frame available in black, white or Saddlewood Ferrogain, 10mm toughened glass top available in clear, grey, bronze tint or mirror. A choice of granite top inserts are available upon request.

MATERIALS

White powder coated mild steel frame with a grey tinted glass top.



DIMENSIONS

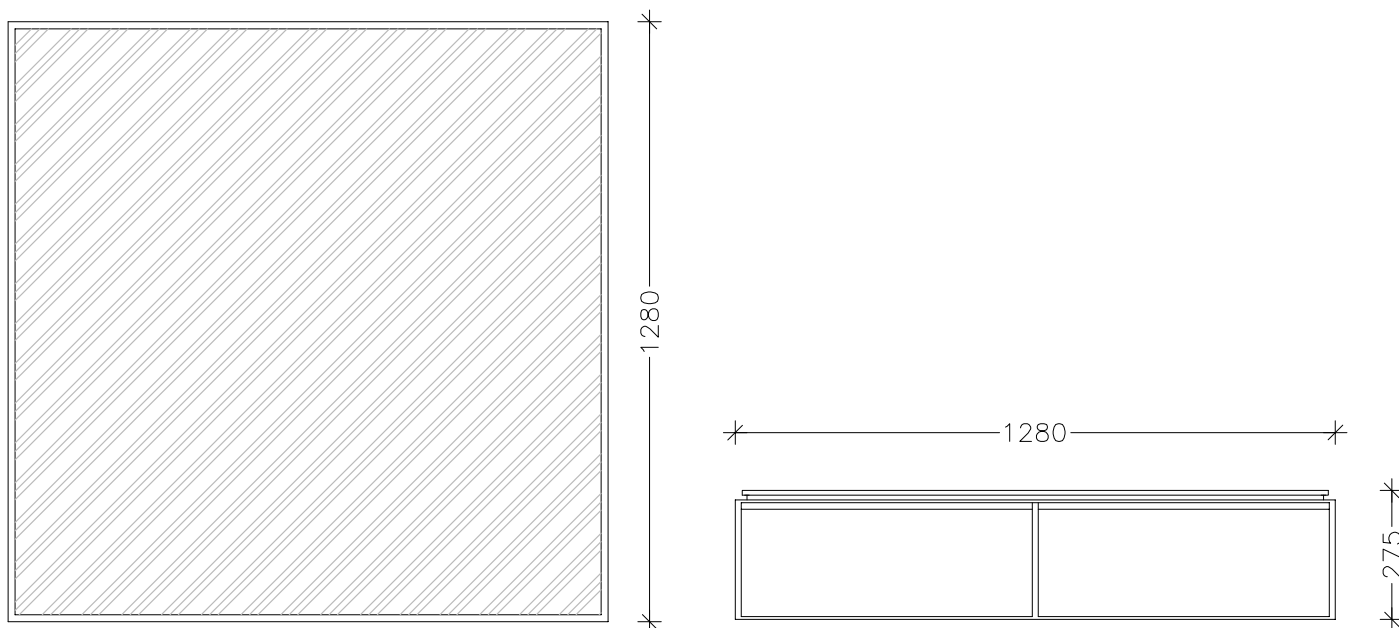
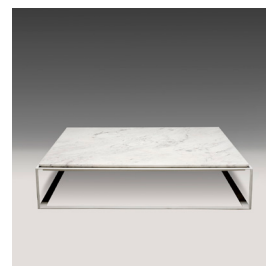
SMALL: 1066W x 680D x 418H mm
 LARGE: 1335W x 907D x 330H mm

DESCRIPTION

Corian table top, black or white powder coated mild steel base.

MATERIALS

Black powder coated mild steel base with a corian table top.



DIMENSIONS

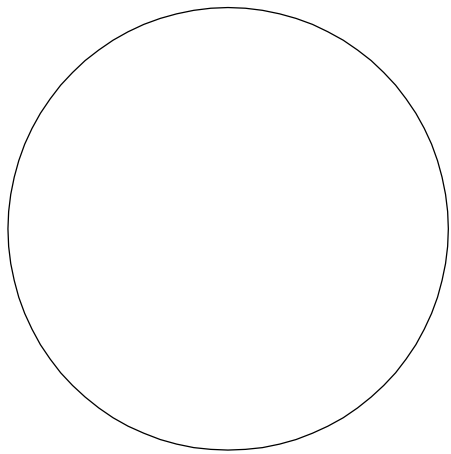
1280W x 1280D x 275H mm

DESCRIPTION

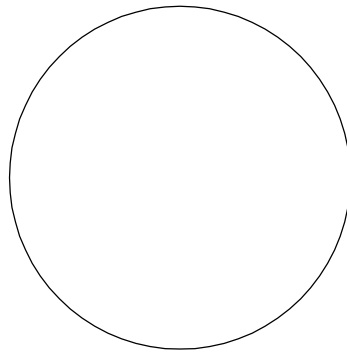
Powder coated mild steel base available in black or white. Table top available in oak, walnut, Nero Marquina or Volakas marble. An additional choice of polished marble tops are available upon request.

MATERIALS

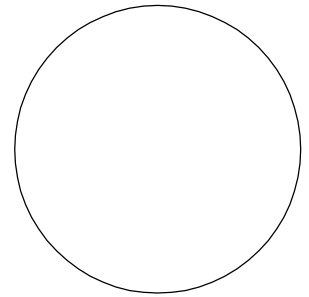
White powder coated mild steel base, Volakas marble table top.



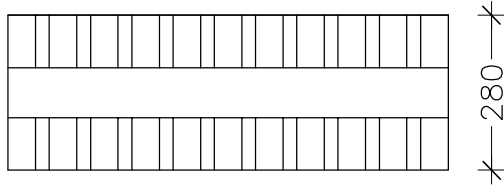
800



620



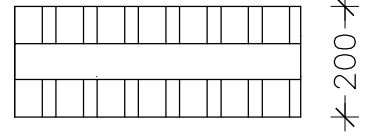
520



280



240



200

DIMENSIONS

SMALL: 520D x 200H mm

MEDIUM: 620D x 240H mm | LARGE: 800D x 280H mm

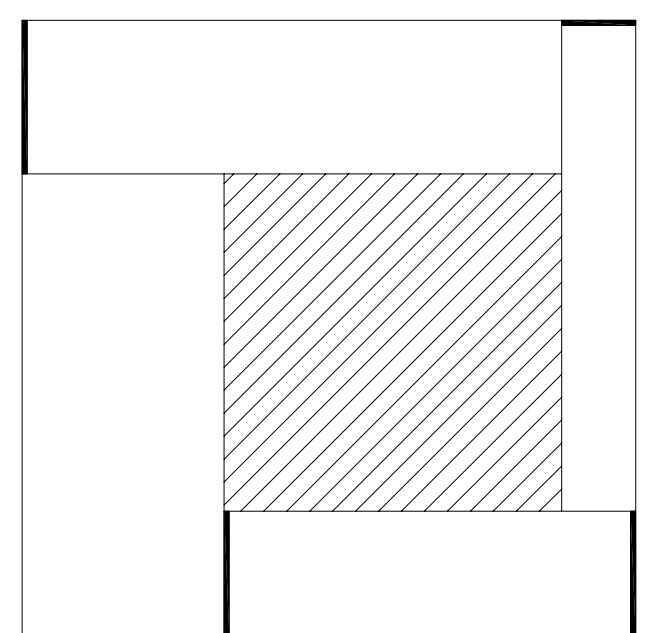
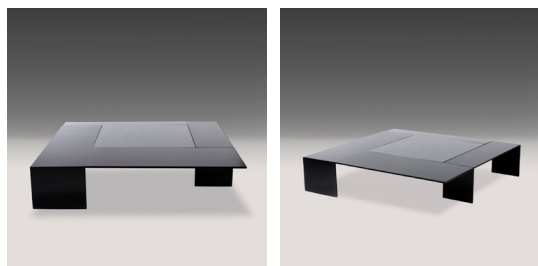
DESCRIPTION

Naturally felled solid eucalyptus. Brass belt available in mirror polished steel, waxed mild steel, copper or brass.

MATERIALS

Mirror polished stainless steel, waxed mild steel, copper or brass belt.

DESIGNED BY OKHA



1200



260

1200



DIMENSIONS

1200W x 1200D x 260H mm

DESCRIPTION

Powder coated mild steel sections available in black & white with a 10mm tinted glass insert. Also available in an oxidised mild steel frame.

MATERIALS

Black powder coated mild steel sections with a 10mm tinted glass insert.